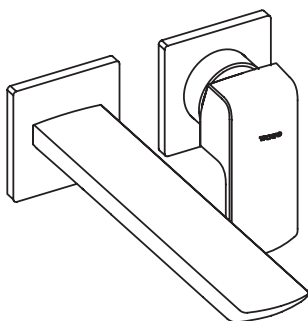


Installation and Owner's Manual
Manual de instalación y del propietario
Manuel d'installation et d'utilisation
Manual de Instalação e do Proprietário

TOTO

Wall Mount Single Lavatory Faucet
Grifo de Lavamanos para Montaje en Pared
Robinet de Lavabo Mural Simple
Faucet de Lavatório Único de Montagem na Parede



GR TLG02311U	GS TLG03308U	GO TLG01310U TLG01311U	GE TLG07307U TLG07308U
GC TLG08307U TLG08308U	GM TLG09307U TLG09308U	GB TLG10307U TLG10308U	GF TLG11307U TLG11308U

Warranty Registration and Inquiry

For product warranty registration, TOTO U.S.A. Inc. recommends online warranty registration. Please visit our web site <http://www.totousa.com>. If you have questions regarding warranty policy or coverage, please contact TOTO U.S.A. Inc., Customer Service Department, 1155 Southern Road, Morrow, GA 30260 (888) 295-8134 or (678) 466-1300 when calling from outside of U.S.A.

TABLE OF CONTENTS

Thanks for Choosing TOTO!.....	2	Installation Procedure.....	4
Warnings.....	2	Care and Cleaning.....	15
Before Installation.....	2	Maintenance.....	15
Included Parts.....	3	Warranty.....	16
Tools You Will Need.....	3	Rough-In Dimensions.....	62
Specifications.....	3		

THANK YOU FOR CHOOSING TOTO!

The mission of TOTO is to provide the world with healthy, hygienic and more comfortable lifestyles. We design every product with the balance of form and function as a guiding principle. Congratulations on your choice.

WARNINGS

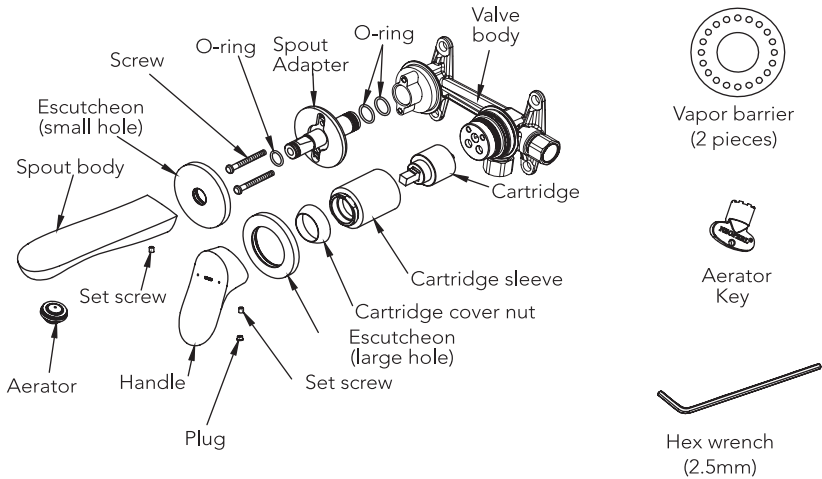
- For safe operation of the faucet, please observe the following:
- Operating Pressure:
 - Minimum Pressure.....20 psi (138 kPa), dynamic
 - Maximum Pressure.....80 psi (551 kPa), static
 - Do not use the product at an ambient temperature below 32°F (0° C)

BEFORE INSTALLATION

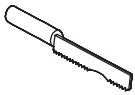
- Observe all local plumbing codes.
- Before installing the faucet, be sure to thoroughly flush the supply pipes of dirt and debris.
- Make sure the water supply is shut off at the stop valve.
- Read these instructions carefully to ensure proper installation.
- TOTO reserves the right to update product design without notice.

INCLUDED PARTS

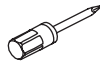
Applicable to: TLG02311U, TLG03308U, TLG09307U,
 TLG09308U, TLG10307U, TLG10308U, TLG11307U, TLG11308U
 Check to make sure you have the following parts indicated below:



TOOLS YOU WILL NEED



Hack Saw



Screwdriver



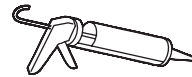
Adhesive
Caulk



Fixing Screw



Level



Silicone
Caulk

SPECIFICATIONS

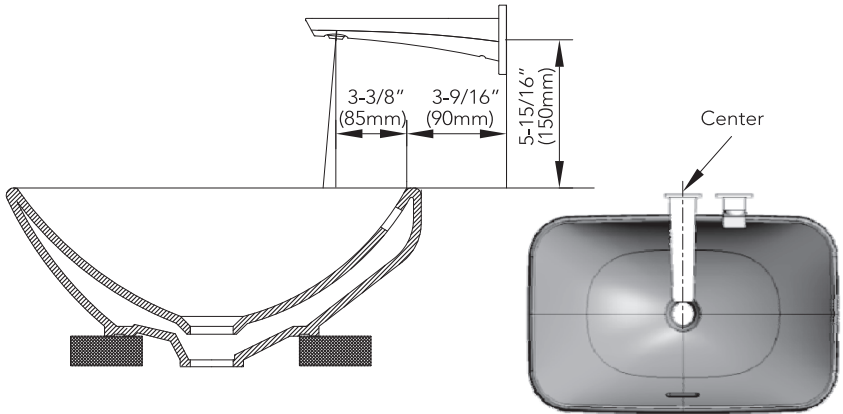
Water Supply Pressure	Minimum required: 20 psi (138 kPa) (Flowing)
	Maximum allowed: 80 psi (551 kPa)
Water Supply Connection	1/2" NPT
Ambient Temperature	32~104°F (0~40°C)
Humidity	Max. 90% RH
Flow Rate	Maximum 1.2 gallon/min (4.5 L/min)

ENGLISH

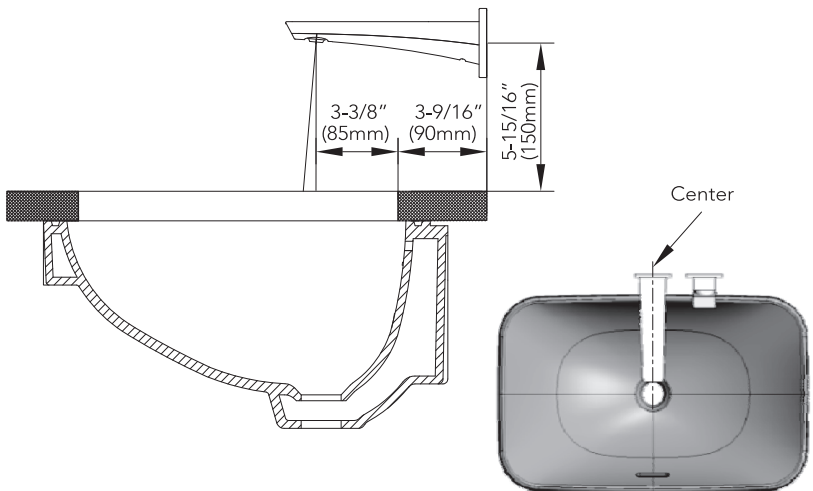
INSTALLATION PROCEDURE

Applicable to : TLG07307U、 TLG08307U、 TLG09307U、 TLG10307U、
TLG11307U

Countertop lavatory installation



Undercounter lavatory installation

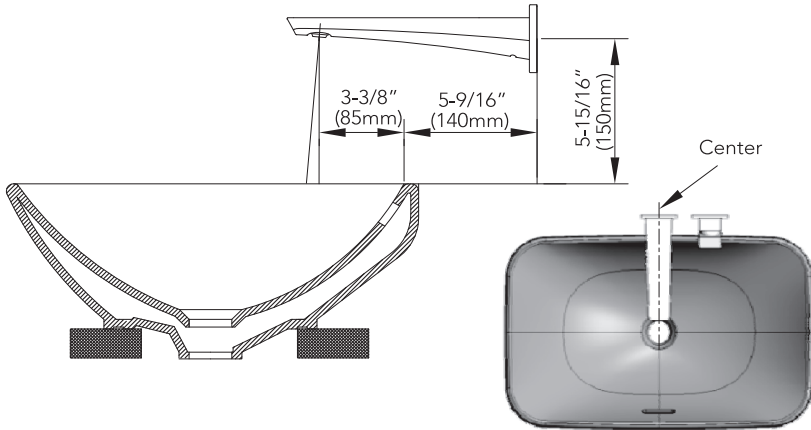


NOTE: Unit for dimensions = inches
Dimension in () is mm.

INSTALLATION PROCEDURE

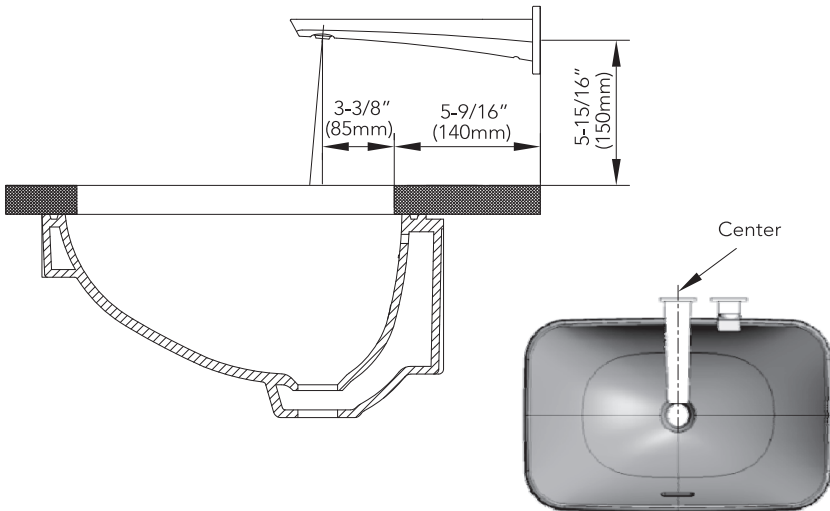
Applicable to : TLG07308U、 TLG08308U、 TLG09308U、 TLG10308U、
TLG11308U

Countertop lavatory installation



ENGLISH

Undercounter lavatory installation



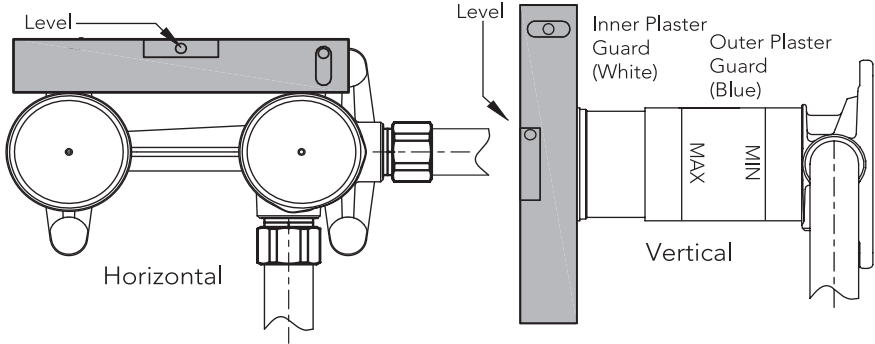
NOTE: Unit for dimensions = inches
Dimension in () is mm.

INSTALLATION PROCEDURE

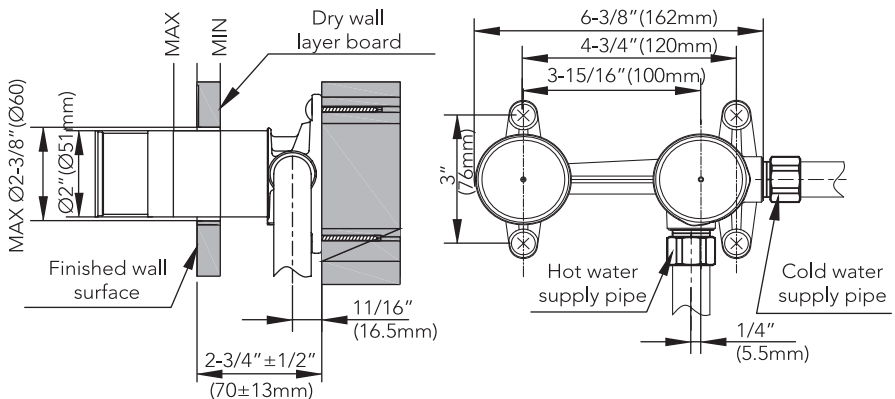
Installation of the Main Body

1. Connect the main body of faucet to corresponding plumbing. Perforate the wall in accordance with the illustrated dimension. Otherwise, it might cause a problem when installing the faucet.

NOTE: Calibrate the wall embedded body with a level to keep it's horizontal direction and vertical direction at optimum.



Dry wall installation

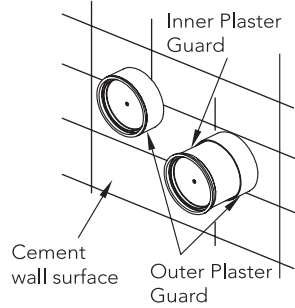


As shown in the figure, use screws (not provided) to secure the product on the wall.

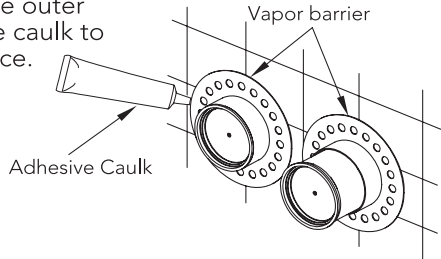
INSTALLATION PROCEDURE

NOTE

- When mounting the wall embedded body, do not remove the outer plaster guard or the inner plaster guard.
- Pay attention to the embedding depth of the wall embedded body to ensure that the finished wall surface is between the marks MIN and MAX on the protective plaster guard.
- Connect the inlet pipe to the wall embedded body. Make sure that each connection does not leak and then apply cement padding.

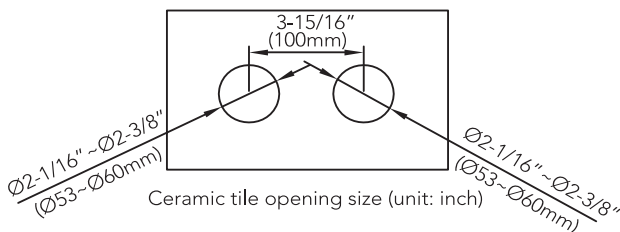
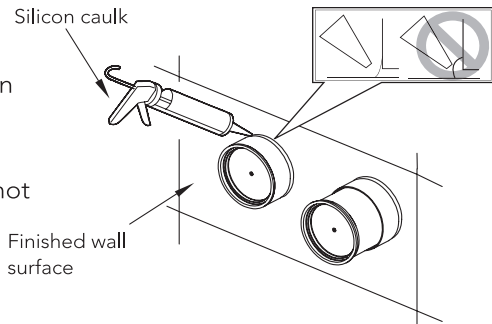


2. Get the vapor barrier through the outer plaster guard and use the adhesive caulk to paste it onto the cement wall surface.



3. After the adhesive is completely dried, fix the tile. (Ceramic tile opening size below).

When applying adhesive between the outer plaster guard and the gap on the wall, make sure it is evenly coated with silicone caulk and that the adhesive surface is not convex to the wall.



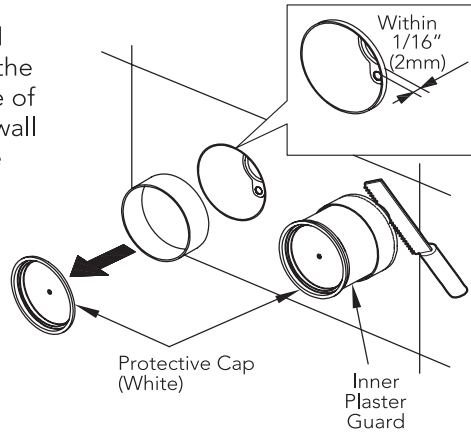
INSTALLATION PROCEDURE

Installation of Spout and Handle

1. Cut off the outer plaster guard with a hack saw and ensure that the interval between the raised edge of the outer plaster guard and the wall surface is within 2mm. (The edge shall not sink in the wall surface)

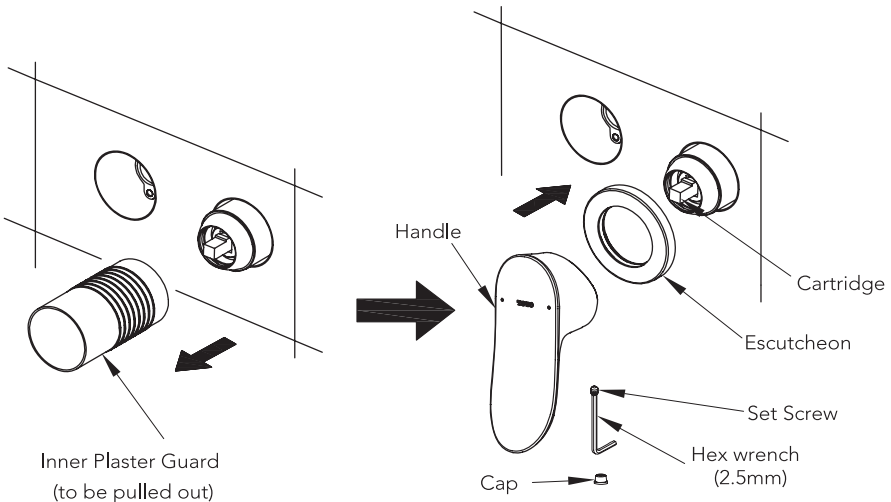
NOTE

- Do not hurt the inner plaster guard when cutting to avoid damaging the internal cartridge sleeve.



2. Installation of handle part:

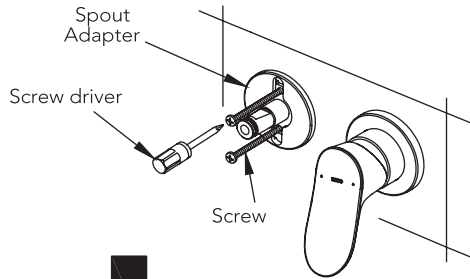
- Pull out the inner plaster guard (Note: the inner plaster guard does not work anymore after mounting is finished).
- Cap the cartridge sleeve with the escutcheon near the wall surface. (Note: Apply a small amount of soap water on the O-Ring inside the escutcheon for lubrication in order to facilitate mounting).
- Mount the handle onto the cartridge and use the screw to fix it and mount the cap at the position of the set screw hole.



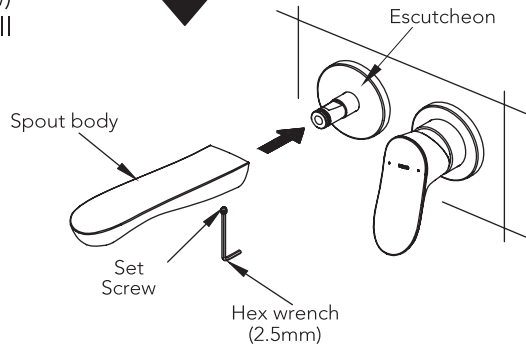
INSTALLATION PROCEDURE

Installation of the Spout

(a) Insert the spout adapter into the valve body and secure with provided screws.



(b) Install escutcheon onto the spout adapter. Remove (unscrew) set screw from spout body. Install spout body onto the spout adapter. Align the position of the escutcheon & spout body. Secure with provided set screw.



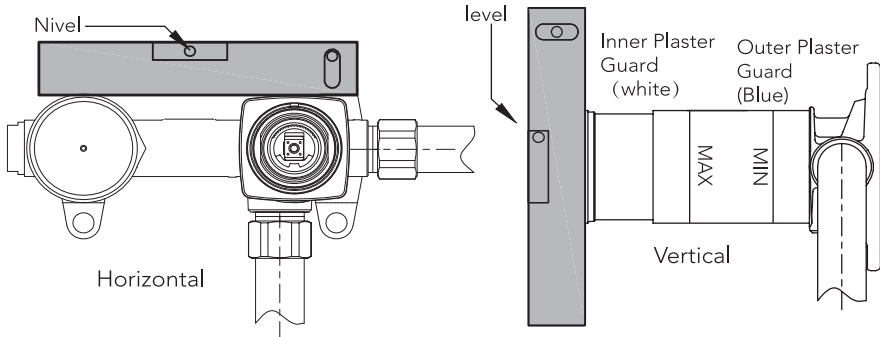
ENGLISH

INSTALLATION PROCEDURE

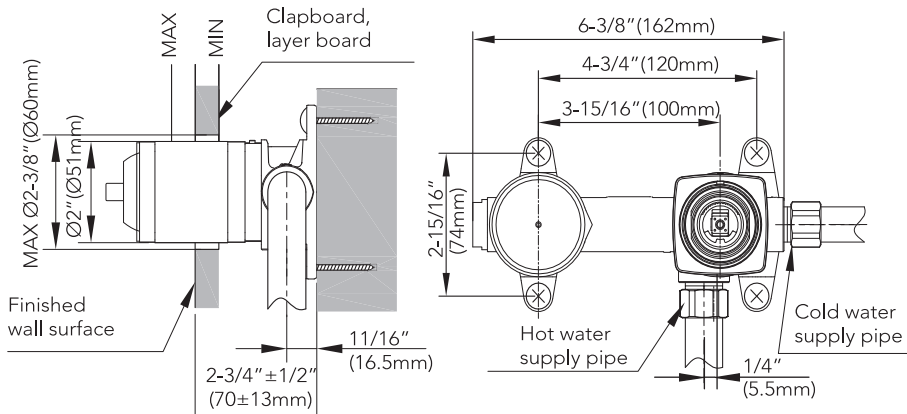
Installation of the Main Body

1. Connect the main body of faucet to corresponding plumbing. Perforate the wall in accordance with the illustrated dimension. Otherwise, it might cause a problem when installing the faucet.

NOTE: Calibrate the wall embedded body with a level to keep it's horizontal direction and vertical direction at optimum.



Dry wall installation



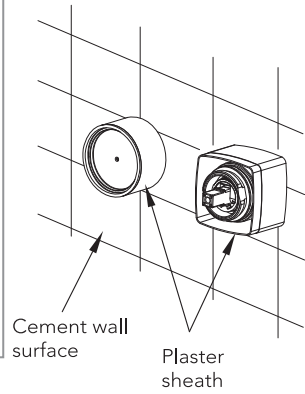
As shown in the figure, use screws (not provided) to secure the product on the wall.

INSTALLATION PROCEDURE

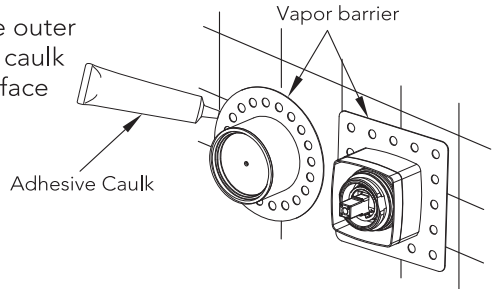
ENGLISH

NOTE

- When mounting the wall embedded body, do not remove the outer plaster guard or the inner plaster guard.
- Pay attention to the embedding depth of the wall embedded body to ensure that the finished wall surface is between the marks MIN and MAX on the protective plaster guard.
- Connect the inlet pipe to the wall embedded body. Make sure that each connection does not leak and then apply cement padding.

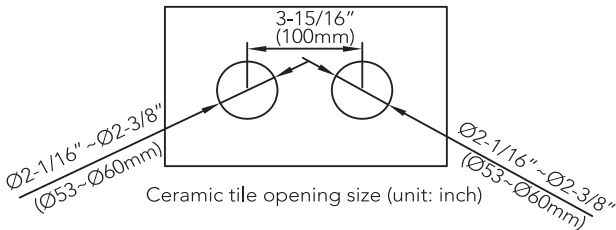
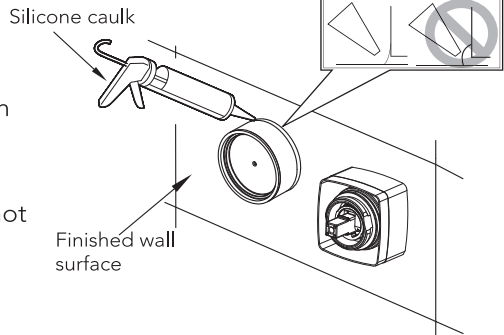


2. Get the vapor barrier through the outer plaster guard and use the adhesive caulk to paste it onto the cement wall surface



3. After the adhesive is completely dried, fix the tile. (Ceramic tile opening size below).

When applying adhesive between the outer plaster guard and the gap on the wall, make sure it is evenly coated with silicone caulk and that the adhesive surface is not convex to the wall.



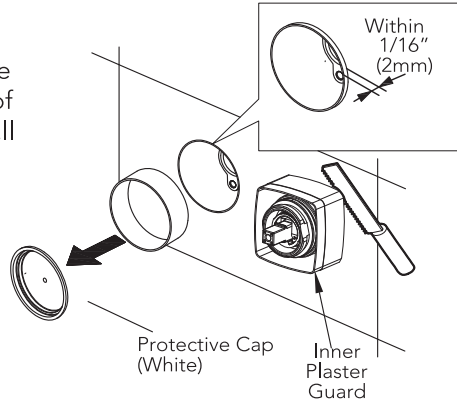
INSTALLATION PROCEDURE

Installation of Spout and Handle

1. Cut off the outer plaster guard with a hack saw and ensure that the interval between the raised edge of the outer plaster guard and the wall surface is within 2mm. (The edge shall not sink in the wall surface)

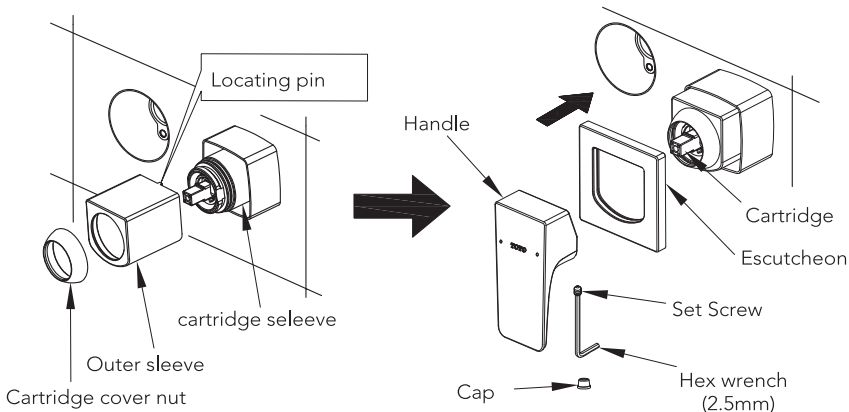
NOTE

- Do not hurt the inner plaster guard when cutting to avoid damaging the internal cartridge sleeve.



2. Installation of handle part:

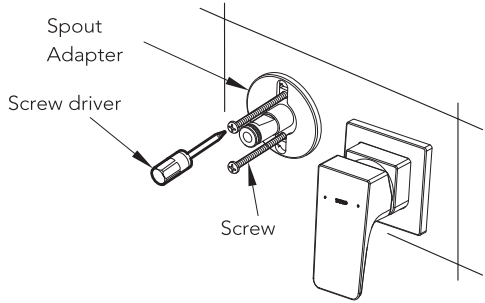
- Pull out the inner plaster guard (Note: the inner plaster guard does not work anymore after mounting is finished).
- Cap the cartridge sleeve with the escutcheon near the wall surface. (Note: Apply a small amount of soap water on the O-Ring inside the escutcheon for lubrication in order to facilitate mounting).
- Mount the handle onto the cartridge and use the screw to fix it and mount the cap at the position of the set screw hole.



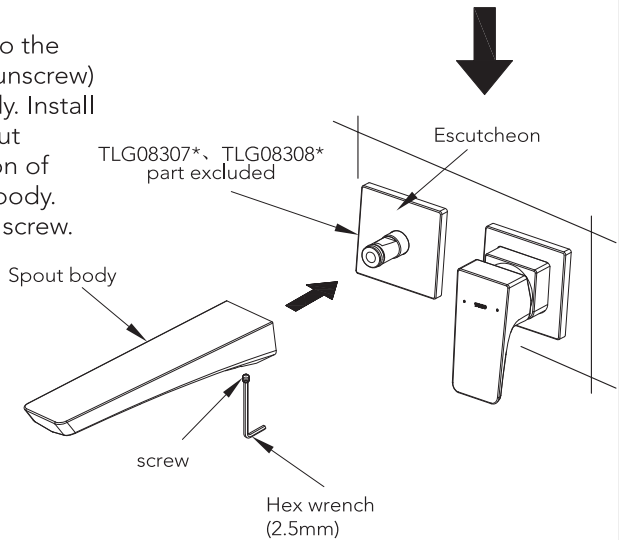
INSTALLATION PROCEDURE

Installation of the Spout

(a) Insert the spout adapter into the valve body and secure with provided screws.



(b) Install escutcheon onto the spout adapter. Remove (unscrew) set screw from spout body. Install spout body onto the spout adapter. Align the position of the escutcheon & spout body. Secure with provided set screw.



CARE AND CLEANING

Clean the parts regularly to prevent the accumulation of dirt and lime-scale. For daily cleaning, use a neutral cleaner.

Acids are necessary ingredients of cleaning materials for removing lime.

However, please pay attention to the following points when cleaning fittings:

- Only use cleaning materials which are explicitly recommended for this type of application.
- Never use cleaning materials which contain hydrochloric, formic or acetic acid, as they may cause considerable damage.
- Do not use phosphoric acid as it can also cause damage.
- Never use cleaning materials or appliances with an abrasive effect, such as cleaning powders, sponges or microfiber cloths.
- Please follow the cleaning material manufacturer's instructions.

- When using spray cleaners, spray first onto a soft cloth or sponge. Never spray directly onto the fittings, as drops could enter openings and gaps, which can then cause damage.
- After cleaning, rinse thoroughly with clean water to remove any cleaner residue.
- Components with damaged surfaces must be exchanged, otherwise this can cause an injury. Damage caused by improper treatment will not be covered by our warranty.

MAINTENANCE

Check your faucet at least once a month for the following potential problems and to do the following maintenance procedures:

Inspect for Leakage

- Check all water connections for signs of leakage.

Looseness of the product

- Check for any parts that seem abnormal such as being loose as compared when you first began using the product.

Tighten the Spout and Handle Assembly

- If the spout is loose, tighten the hexagonal nut underneath the spout.

If you continue to use the product with loose piping, load is applied to the pipe(s) and may result in water leakage.

If you leave any abnormality like looseness unfixed, part(s) may break or plated surfaces may crack whereby injuring you.

If you find a loose part, remove the cap and retighten the screw that anchors the main body. In case the looseness cannot be repaired, ask your dealer or seller for repairs (subject to billing).

WARRANTY

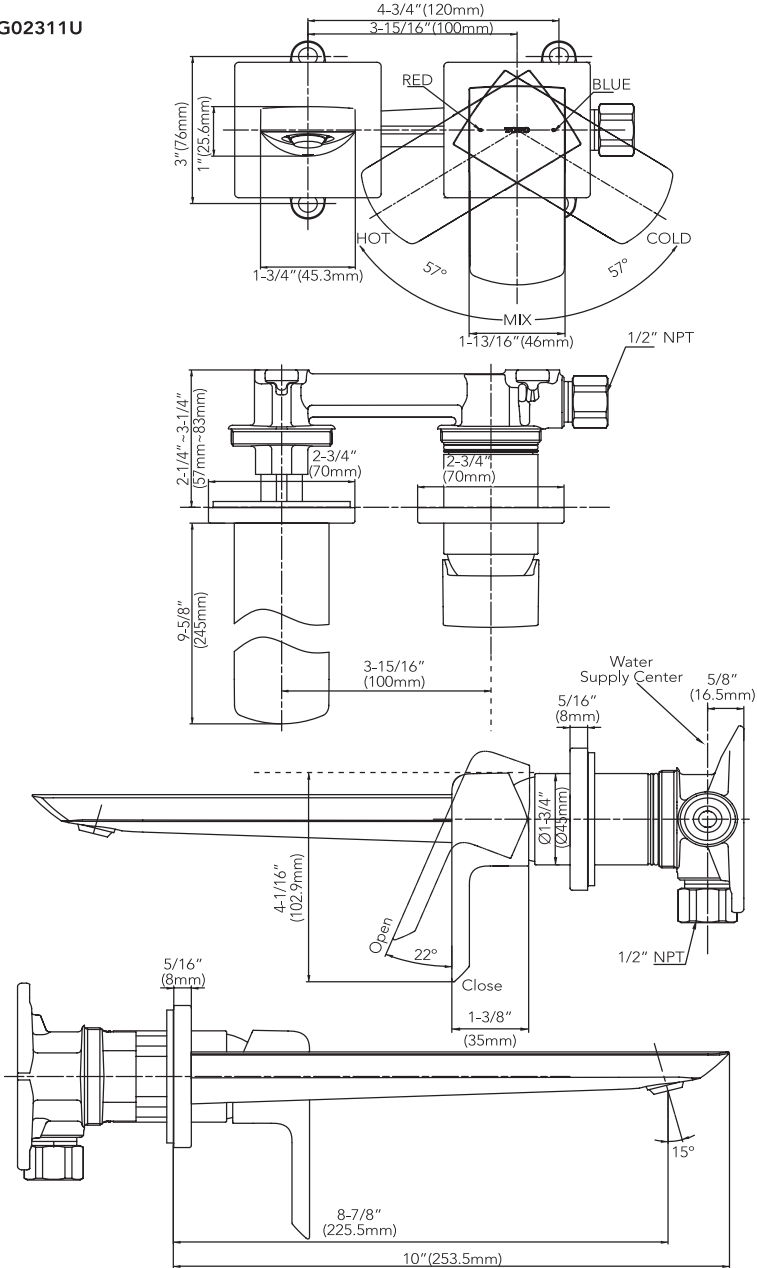
TOTO U.S.A., INC. LIMITED LIFETIME WARRANTY

1. TOTO warrants its residential faucets and bathroom accessories ("Product") to be free from defects in materials and workmanship during normal use when properly installed and serviced, for the lifetime of the Product from date of purchase. This limited warranty is extended only to the ORIGINAL PURCHASER of the Product and is not transferable to any third party, including but not limited to any subsequent purchaser or owner of the Product. This warranty applies only to TOTO Product purchased and installed in North, Central and South America.
2. TOTO's obligations under this warranty are limited to repair, replacement or other appropriate adjustment, at TOTO's option, of the Product or parts found to be defective in normal use, provided that such Product was properly installed, used and serviced in accordance with instructions. TOTO reserves the right to make such inspections as may be necessary in order to determine the cause of the defect. TOTO will not charge for labor or parts in connection with warranty repairs or replacements. TOTO is not responsible for the cost of removal, return and/or reinstallation of the Product.
3. This warranty does not apply to the following items:
- a. Damage or loss sustained in a natural calamity such as fire, earthquake, flood, thunder, electrical storm, etc.
 - b. Damage or loss resulting from any accident, unreasonable use, misuse, abuse, negligence, or improper care, cleaning, or maintenance of the Product.
 - c. Damage or loss resulting from sediments or foreign matter contained in a water system.
 - d. Damage or loss resulting from improper installation or from installation of the Product in a harsh and/or hazardous environment, or improper removal, repair or modification of the Product.
 - e. Damage or loss resulting from electrical surges or lightning strikes or other acts which are not the fault of TOTO or which the Product is not specified to tolerate.
 - f. Damage or loss resulting from normal and customary wear and tear, such as gloss reduction, scratching or fading over time due to use, cleaning practices or water or atmospheric conditions, including but not limited to, the use of bleach, alkali, acid cleaners, dry (powder) cleaners or any other abrasive cleaners or the use of metal or nylon scrubbers.
4. In order for this limited warranty to be valid, proof of purchase is required. TOTO encourages warranty registration upon purchase to create a record of Product ownership at <http://www.totousa.com>. Product registration is completely voluntary and failure to register will not diminish your limited warranty rights.
5. If the Product is used commercially or is installed outside of North, Central or South America, TOTO warrants the Product to be free from defects in materials and workmanship during normal use for one (1) year from the date of installation of the Product, and all other terms of this warranty shall be applicable except the duration of the warranty.
6. THIS WARRANTY GIVES YOU SPECIFIC LEGAL RIGHTS. YOU MAY HAVE OTHER RIGHTS WHICH VARY FROM STATE TO STATE, PROVINCE TO PROVINCE OR COUNTRY TO COUNTRY.
7. To obtain warranty repair service under this warranty, you must take the Product or deliver it prepaid to a TOTO service facility together with proof of purchase (original sales receipt) and a letter stating the problem, or contact a TOTO distributor or products service contractor, or write directly to TOTO U.S.A., INC., 1155 Southern Road, Morrow, GA 30260 (888) 295 8134 or (678) 466-1300, if outside the U.S.A. If, because of the size of the Product or nature of the defect, the Product cannot be returned to TOTO, receipt by TOTO of written notice of the defect together with proof of purchase (original sales receipt) shall constitute delivery. In such case, TOTO may choose to repair the Product at the purchaser's location or pay to transport the Product to a service facility.

THIS WRITTEN WARRANTY IS THE ONLY WARRANTY MADE BY TOTO. REPAIR, REPLACEMENT OR OTHER APPROPRIATE ADJUSTMENT AS PROVIDED UNDER THIS WARRANTY SHALL BE THE EXCLUSIVE REMEDY AVAILABLE TO THE ORIGINAL PURCHASER. TOTO SHALL NOT BE RESPONSIBLE FOR LOSS OF THE PRODUCT OR FOR OTHER INCIDENTAL, SPECIAL OR CONSEQUENTIAL DAMAGES OR EXPENSES INCURRED BY THE ORIGINAL PURCHASER, OR FOR LABOR OR OTHER COSTS DUE TO INSTALLATION OR REMOVAL, OR COSTS OF REPAIRS BY OTHERS, OR FOR ANY OTHER EXPENSE NOT SPECIFICALLY STATED ABOVE. IN NO EVENT WILL TOTO'S RESPONSIBILITY EXCEED THE PURCHASE PRICE OF THE PRODUCT. EXCEPT TO THE EXTENT PROHIBITED BY APPLICABLE LAW, ANY IMPLIED WARRANTIES, INCLUDING THAT OF MERCHANTABILITY OR FITNESS FOR USE OR FOR A PARTICULAR PURPOSE, ARE EXPRESSLY DISCLAIMED. SOME STATES DO NOT ALLOW LIMITATIONS ON HOW LONG AN IMPLIED WARRANTY LASTS, OR THE EXCLUSION OR LIMITATION OF INCIDENTAL OR CONSEQUENTIAL DAMAGES, SO THE ABOVE LIMITATION AND EXCLUSION MAY NOT APPLY TO YOU.

ROUGH-IN DIMENSIONS / BOSQUEJO ROBINETTERIE BRUTE / DIMENSÕES APROXIMADAS

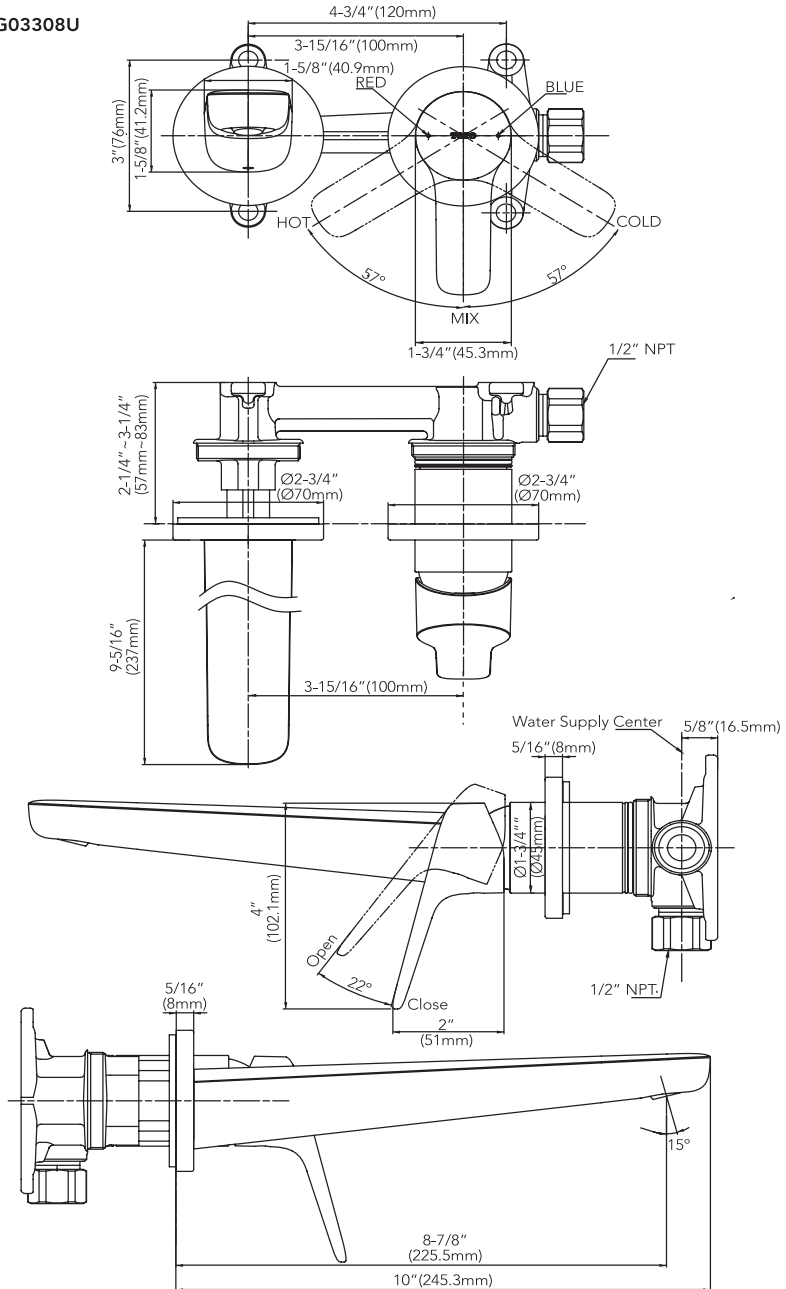
TLG02311U



NOTE: Unit for dimensions = inches
Dimension in () is mm.

**ROUGH-IN DIMENSIONS / BOSQUEJO
ROBINETTERIE BRUTE / DIMENSÕES APROXIMADAS**

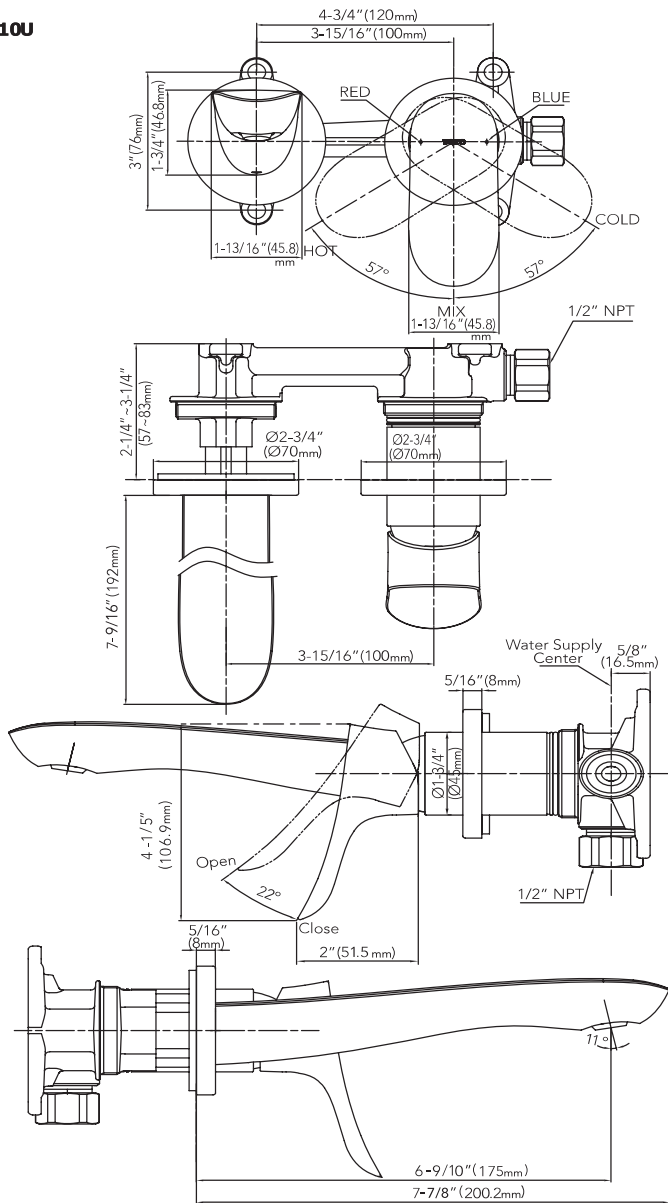
TLG03308U



NOTE: Unit for dimensions = inches
Dimension in () is mm.

ROUGH-IN DIMENSIONS / BOSQUEJO ROBINETTERIE BRUTE / DIMENSÕES APROXIMADAS

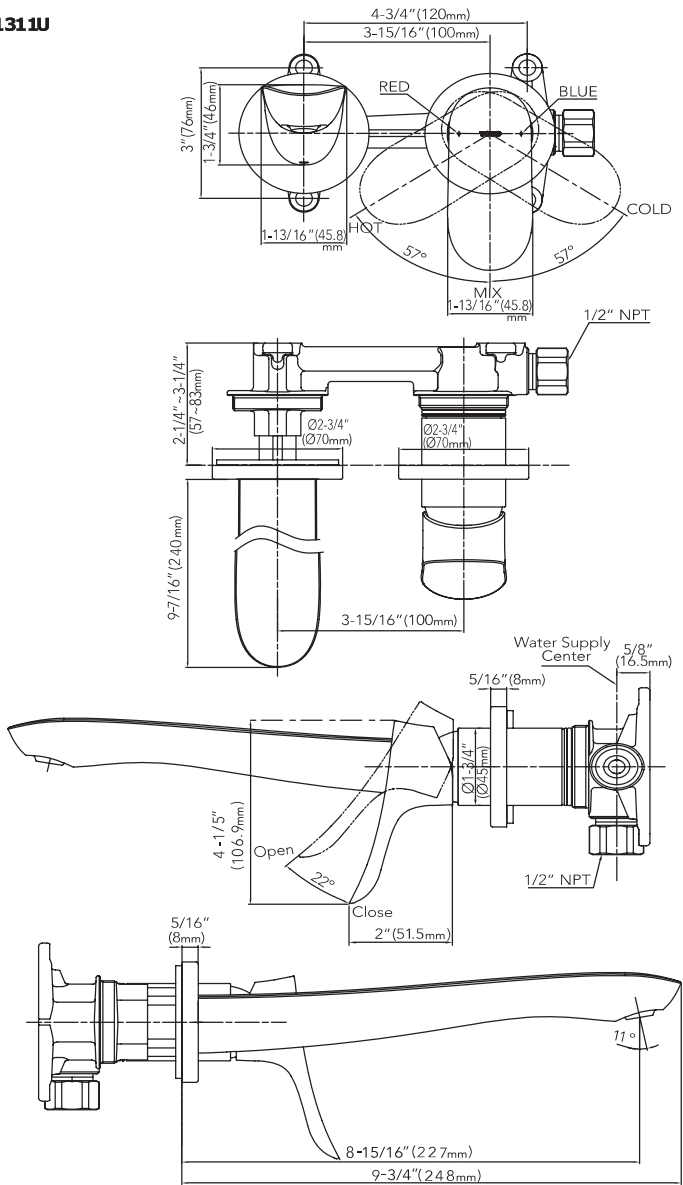
TLG01310U



NOTE: Unit for dimensions = inches
Dimension in () is mm.

ROUGH-IN DIMENSIONS / BOSQUEJO ROBINETTERIE BRUTE / DIMENSÕES APROXIMADAS

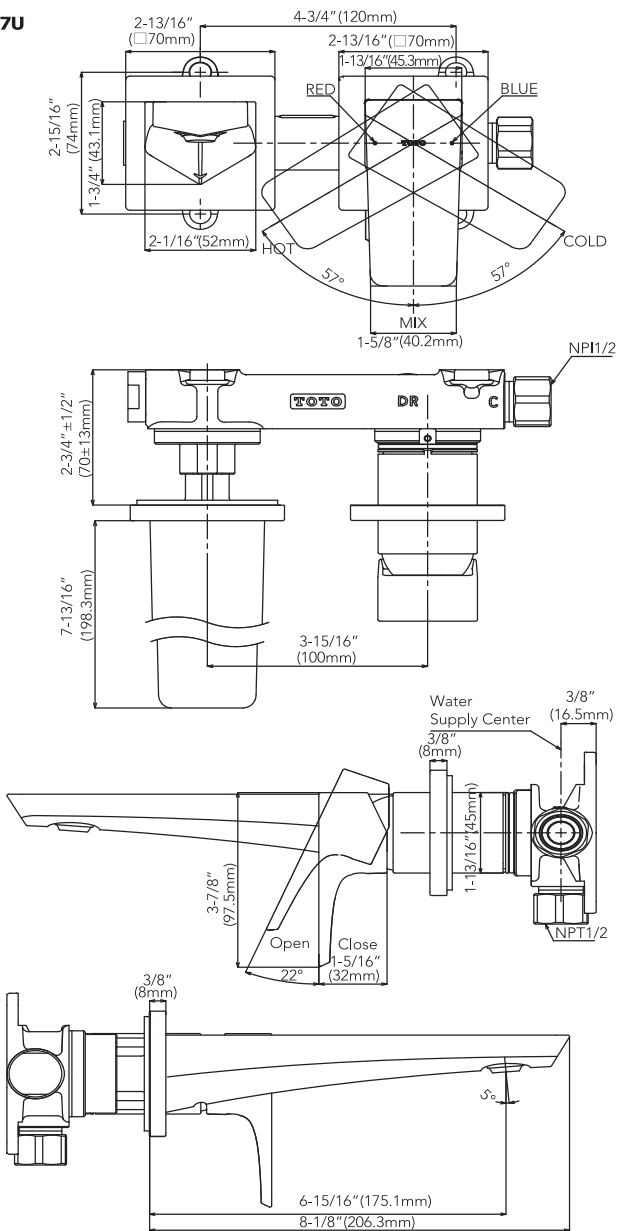
TLG01311U



NOTE: Unit for dimensions = inches
Dimension in () is mm.

**ROUGH-IN DIMENSIONS / BOSQUEJO
ROBINETTERIE BRUTE / DIMENSÕES APROXIMADAS**

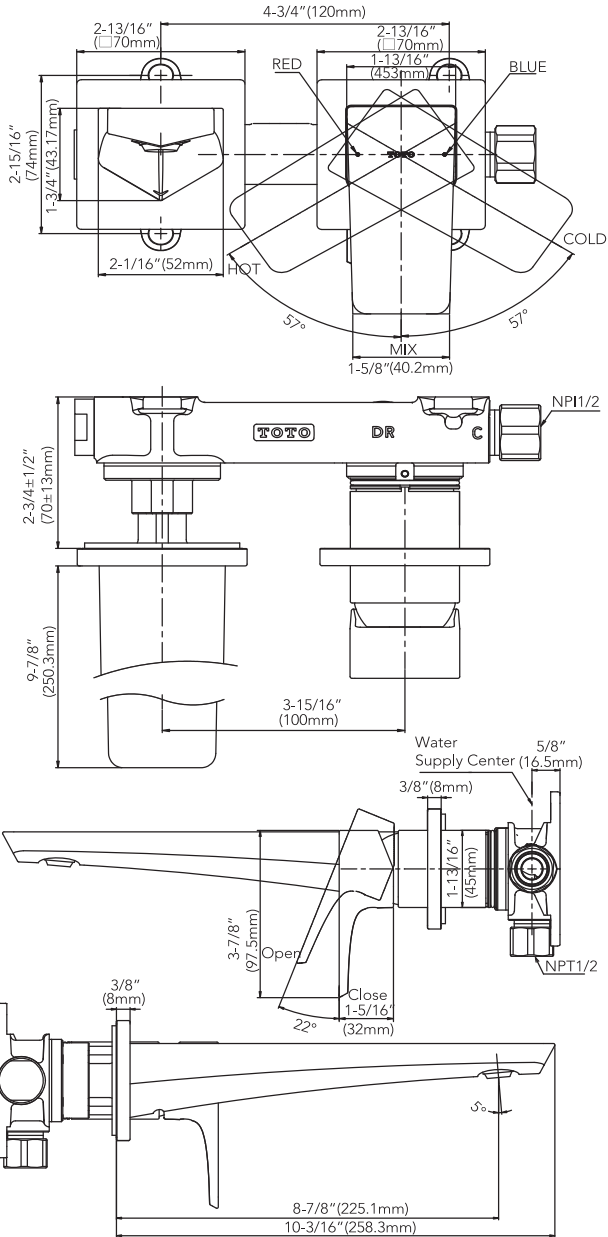
TLG07307U



NOTE: Unit for dimensions = inches
Dimension in () is mm.

ROUGH-IN DIMENSIONS / BOSQUEJO ROBINETTERIE BRUTE / DIMENSÕES APROXIMADAS

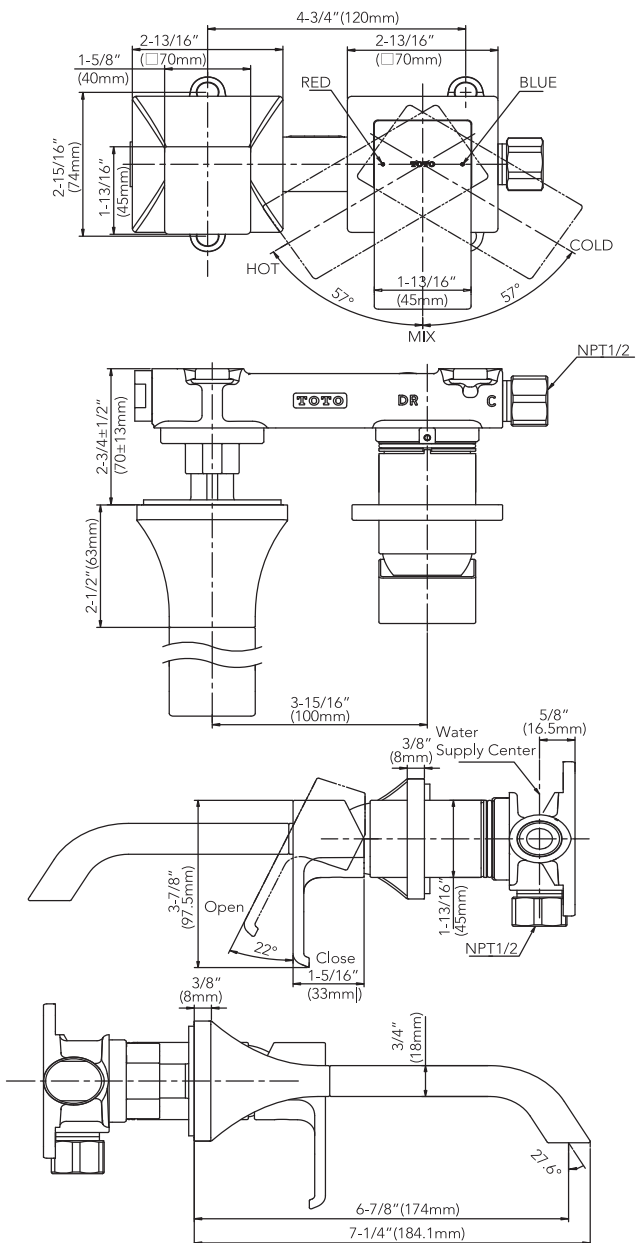
TLG07308U



NOTE: Unit for dimensions = inches
Dimension in () is mm.

ROUGH-IN DIMENSIONS / BOSQUEJO ROBINETTERIE BRUTE / DIMENSÕES APROXIMADAS

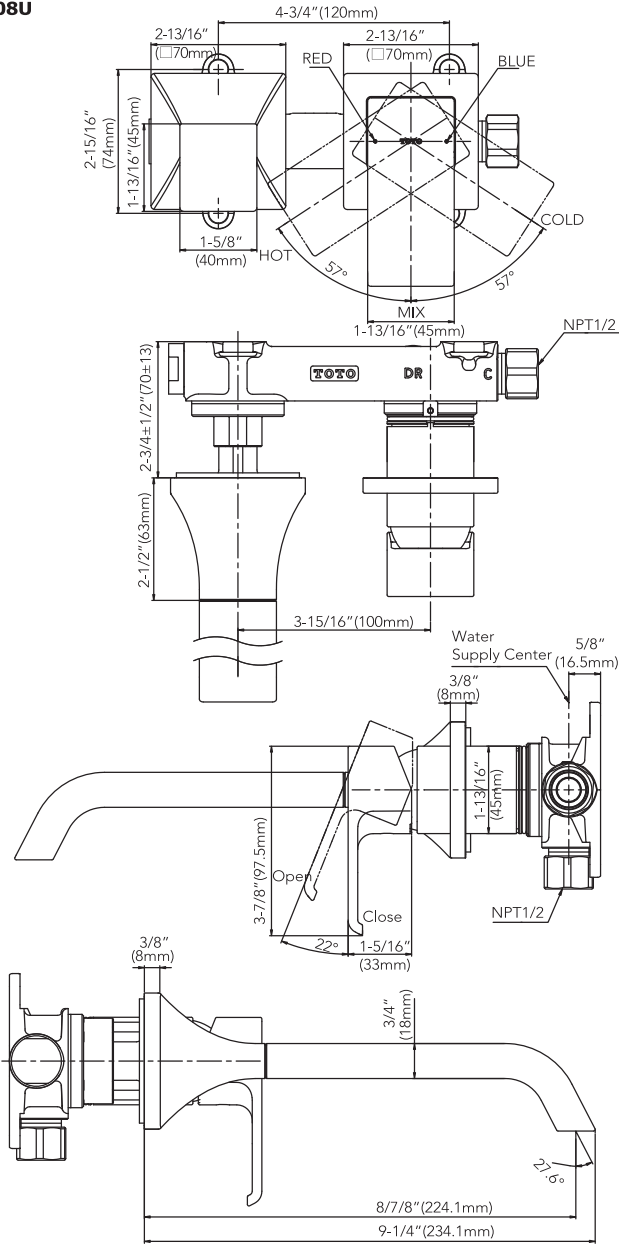
TLG08307U



NOTE: Unit for dimensions = inches
Dimension in () is mm.

ROUGH-IN DIMENSIONS / BOSQUEJO ROBINETTERIE BRUTE / DIMENSÕES APROXIMADAS

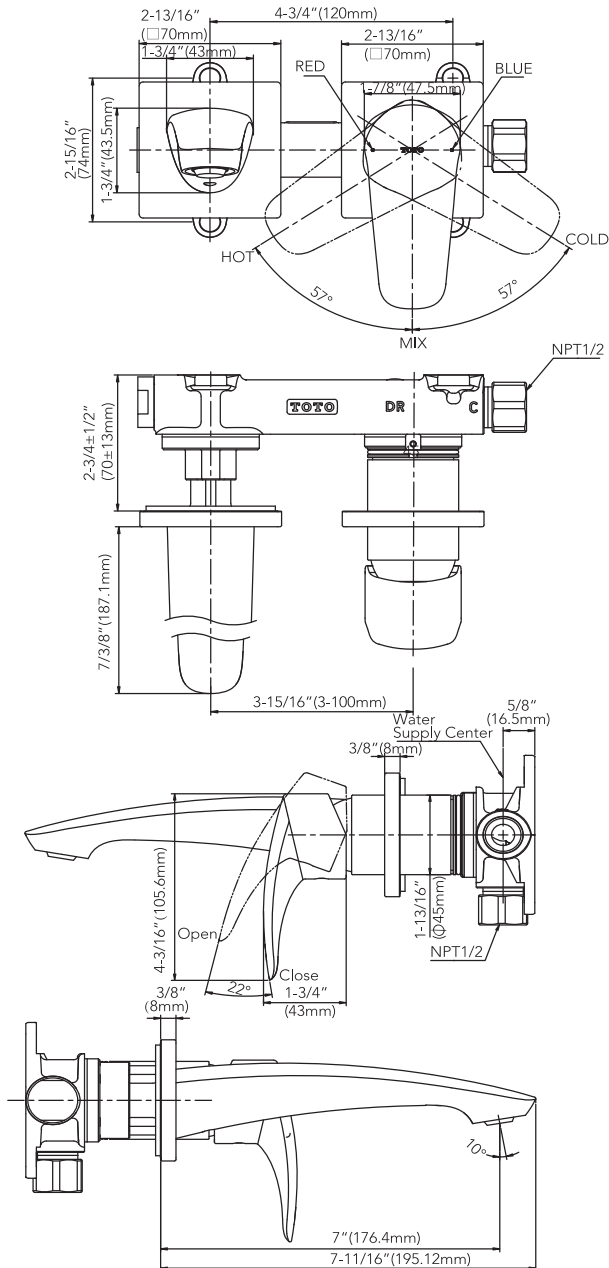
TLG08308U



NOTE: Unit for dimensions = inches
Dimension in () is mm.

ROUGH-IN DIMENSIONS / BOSQUEJO ROBINETTERIE BRUTE / DIMENSÕES APROXIMADAS

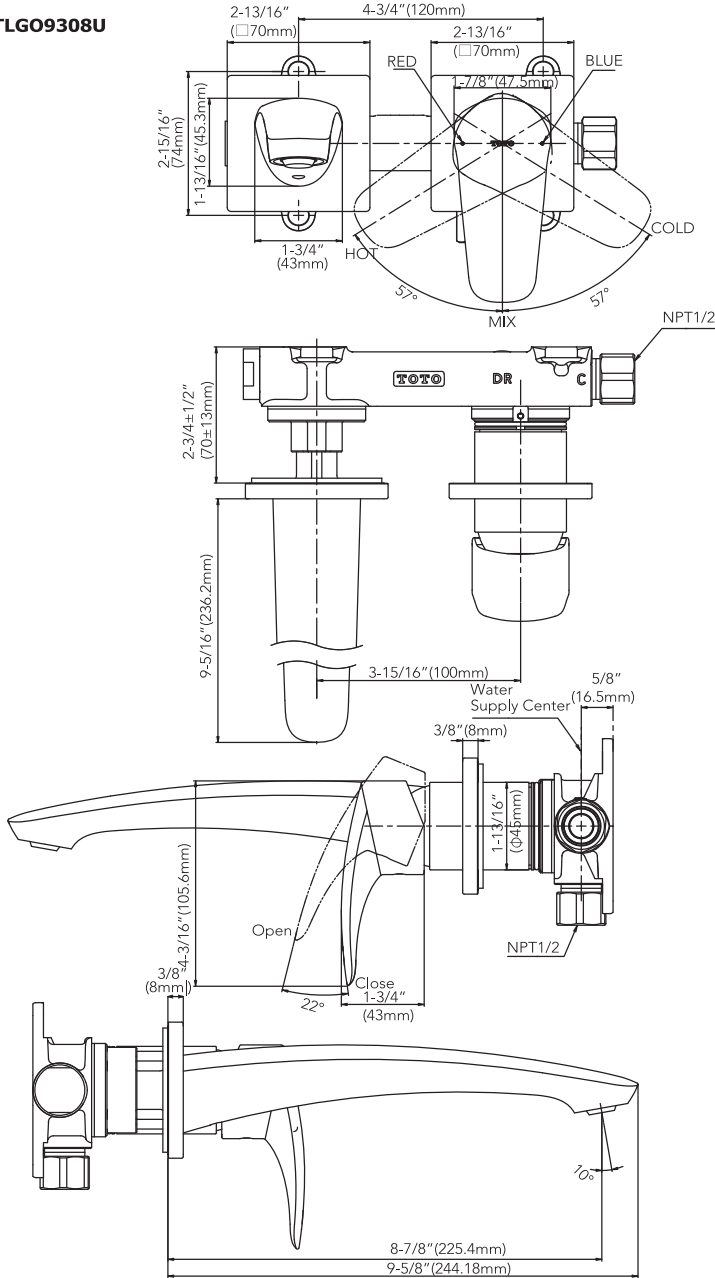
TLG09307U



NOTE: Unit for dimensions = inches
Dimension in () is mm.

ROUGH-IN DIMENSIONS / BOSQUEJO ROBINETTERIE BRUTE / DIMENSÕES APROXIMADAS

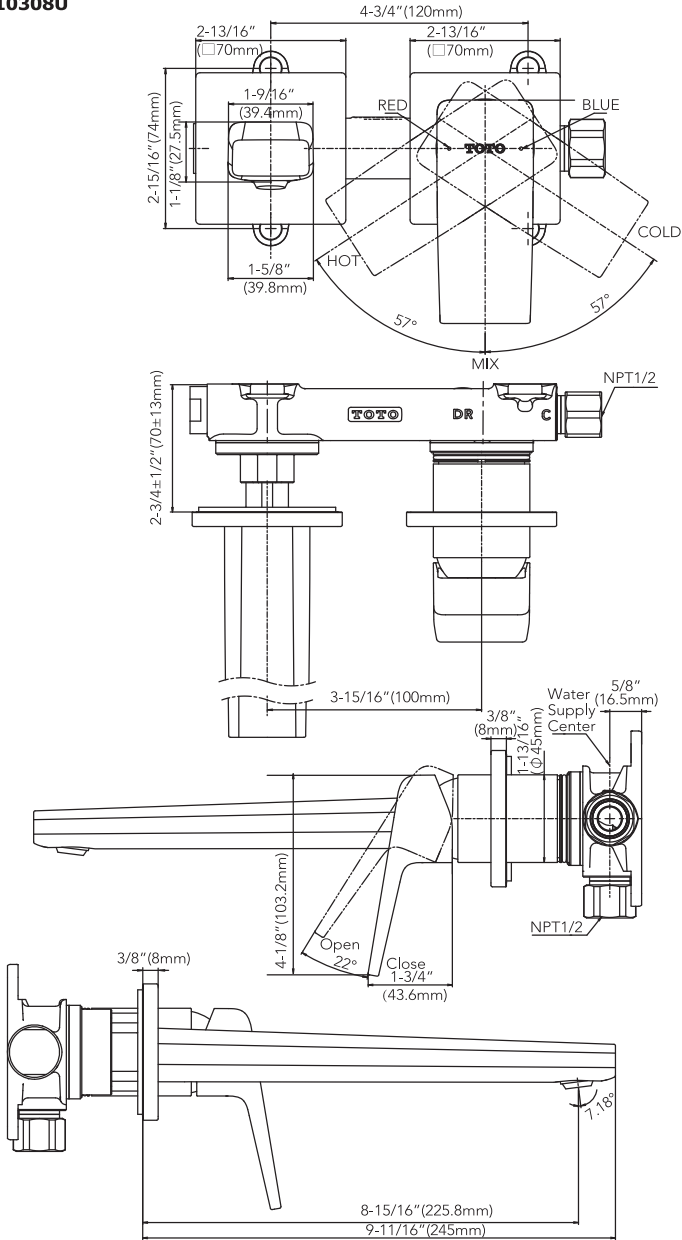
TLGO9308U



NOTE: Unit for dimensions = inches
Dimension in () is mm.

ROUGH-IN DIMENSIONS / BOSQUEJO ROBINETTERIE BRUTE / DIMENSÕES APROXIMADAS

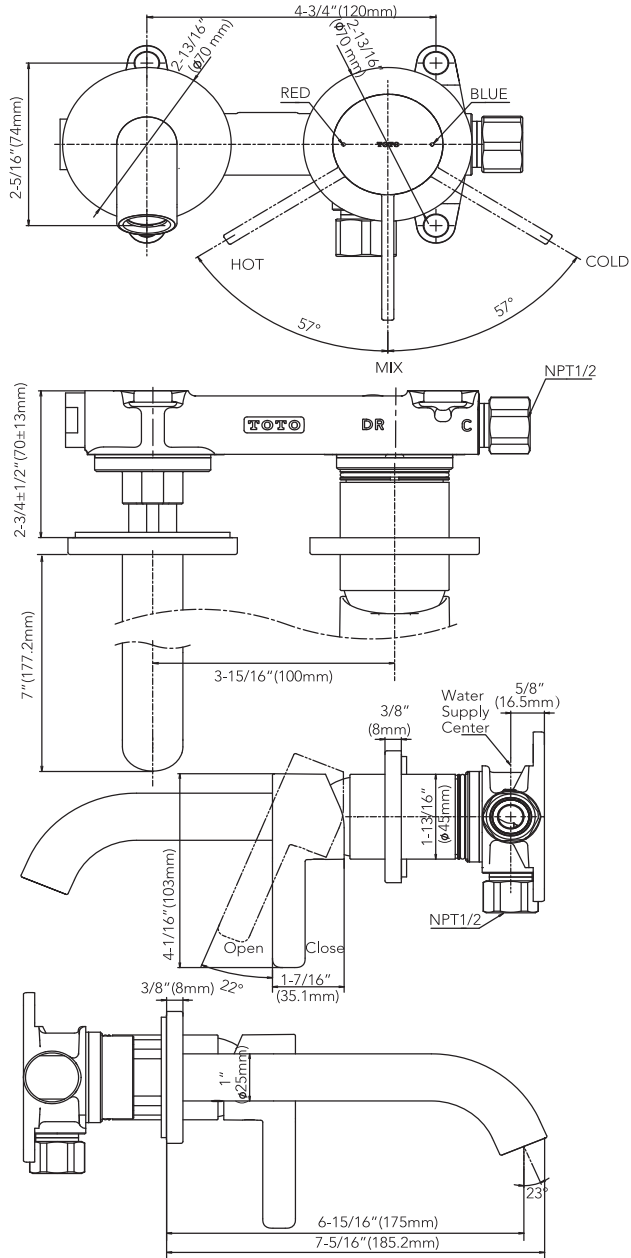
TLGO10308U



NOTE: Unit for dimensions = inches
Dimension in () is mm.

ROUGH-IN DIMENSIONS / BOSQUEJO ROBINETTERIE BRUTE / DIMENSÕES APROXIMADAS

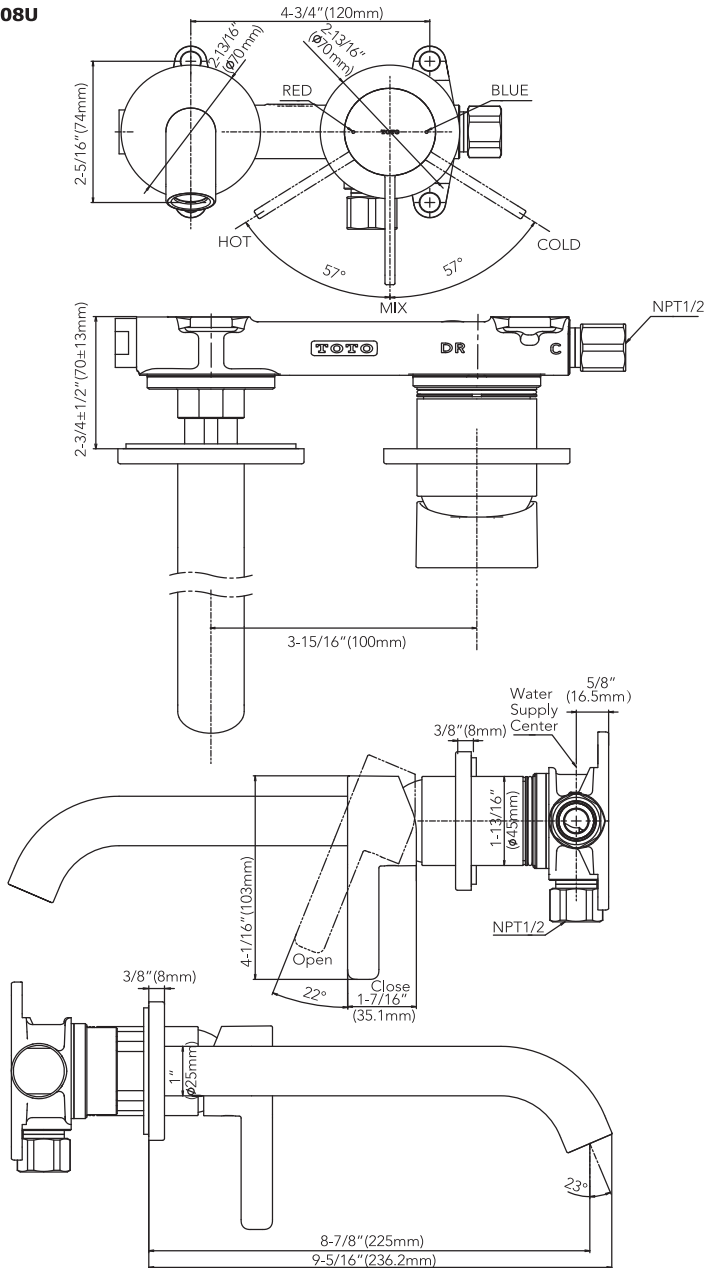
TLG011307U



NOTE: Unit for dimensions = inches
Dimension in () is mm.

ROUGH-IN DIMENSIONS / BOSQUEJO ROBINETTERIE BRUTE / DIMENSÕES APROXIMADAS

TLGO11308U



NOTE: Unit for dimensions = inches
Dimension in () is mm.

TOTO

TOTO U.S.A., Inc. 1155 Southern Road,
Morrow, Georgia 30260
Tel: 888-295-8134 Fax: 800-699-4889
www.totousa.com

0GU4274
Rev C



Warranty Registration and Inquiry

For product warranty registration, TOTO U.S.A. Inc. recommends online warranty registration. Please visit our web site <http://www.totousa.com>. If you have questions regarding warranty policy or coverage, please contact TOTO U.S.A. Inc., Customer Service Department, 1155 Southern Road, Morrow, GA 30260 (888) 295-8134 or (678) 466-1300 when calling from outside of U.S.A.