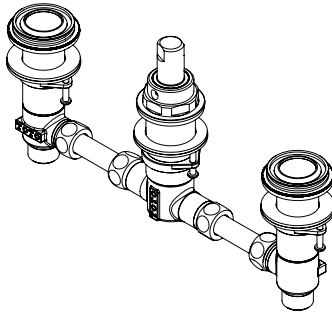
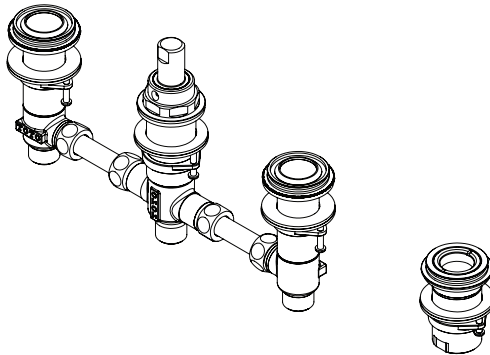


Three-Hole/Four-Hole Roman Tub Filler Rough-In
Montaje de llave para tina romana de tres/cuatro orificios
Plomberie brute de robinetterie de baignoire romaine à trois/quatre trous
Acabamento de torneira de banheira romana de três/quatro orifícios



TBN02201U

TBN02202U



TBN02203U

TBN02204U

Warranty Registration and Inquiry

For product warranty registration, TOTO U.S.A. Inc. recommends online warranty registration. Please visit our web site <http://www.totousa.com>. If you have questions regarding warranty policy or coverage, please contact TOTO U.S.A. Inc., Customer Service Department, 1155 Southern Road, Morrow, GA 30260 (888) 295-8134 or (678) 466-1300 when calling from outside of U.S.A.

TABLE OF CONTENTS

Thanks for Choosing TOTO!.....2	Included Parts.....3
Care and Cleaning.....2	Installation Procedure.....4
Warnings.....2	Warranty.....7
Before Installation.....2	Rough-In Dimensions.....26
Tools You Will Need.....3	

THANK YOU FOR CHOOSING TOTO!

The mission of TOTO is to provide the world with healthy, hygienic and more comfortable lifestyles. We design every product with the balance of form and function as a guiding principle. Congratulations on your choice.

CARE AND CLEANING

Your new faucet is designed for years of trouble-free performance. Keep it looking new by cleaning it periodically with mild soap, rinsing thoroughly with warm water and drying with a clean, soft cloth. Do not use abrasive cleaners, steel wool or harsh chemicals, as these will dull the finish. Failure to follow these instructions may void your warranty.

WARNINGS

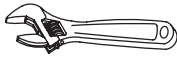
For safe operation of the faucet, please observe the following:

- Operating Pressure:
 - Minimum Pressure.....20 psi (138 kPa), dynamic
 - Maximum Pressure.....80 psi (551 kPa), static
- Do not use the product at an ambient temperature below 32° F (0° C)

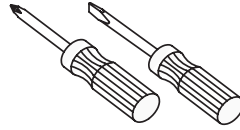
BEFORE INSTALLATION

- Observe all local plumbing codes.
- Before installing the faucet, be sure to thoroughly flush the supply pipes of dirt and debris.
- Make sure the water supply is shut off at the stop valve.
- Read these instructions carefully to ensure proper installation.
- TOTO reserves the right to update product design without notice.
- The connecting tube is NOT INCLUDED. Please purchase the tube model in Table 1 according to your lavatory spread.

TOOLS YOU WILL NEED



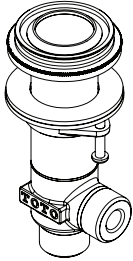
Adjustable Wrench



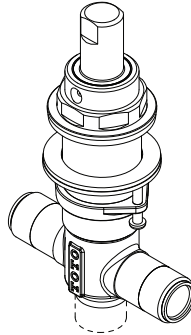
Screwdrivers

INCLUDED PARTS

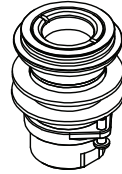
Valve Assembly (2)



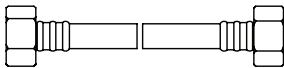
Diverter Assembly (1)



Mounting Pipe for Hand Shower (1, TBN02203 and TBN02204 only)



Leader Hose (1, TBN02203 and TBN02204 only)

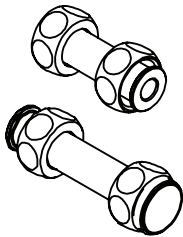


Hand Shower Hose (1, TBN02203 and TBN02204 only)



REQUIRED PARTS - SOLD SEPARATELY

Connecting Tubes



Gasket (2, BLUE)



TABLE 1

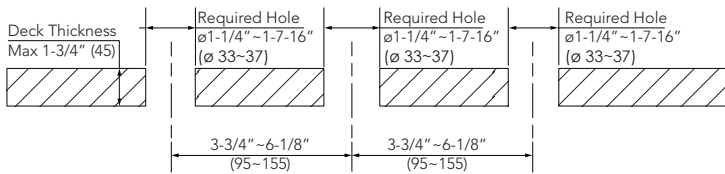
Spread	Connecting Tube Model
7-1/2" ~ 8-1/4" (200 ± 10 mm)	TBN01011U
8-1/4" ~ 9-1/16" (220 ± 10 mm)	TBN01012U
9-1/16" ~ 9-13/16" (240 ± 10 mm)	TBN01013U
9-13/16" ~ 10-5/8" (260 ± 10 mm)	TBN01014U
10-5/8" ~ 11-3/8" (280 ± 10 mm)	TBN01015U
11-3/8" ~ 12-3/16" (300 ± 10 mm)	TBN01016U

ENGLISH

INSTALLATION PROCEDURE

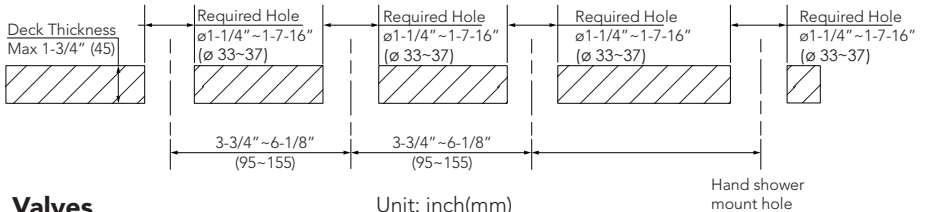
Hole Preparation

For 3 Hole Roman Tub Filler / TBN02201 and TBN02202



Hole Preparation

For 4 Hole Roman Tub Filler / TBN02203 and TBN02204



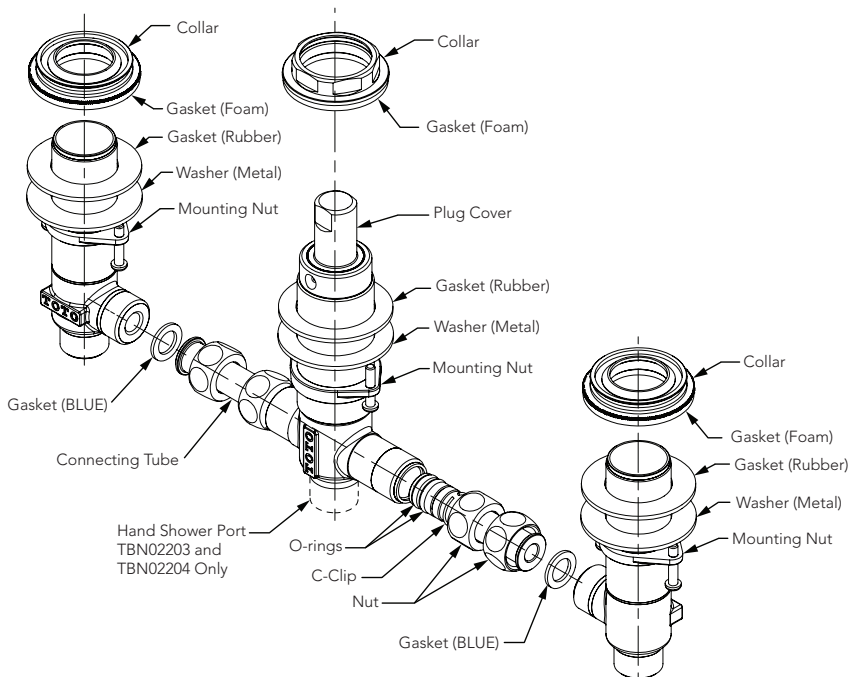
Valves

Unit: inch(mm)

1. Remove Collars from Valves (Hot and Cold) and Diverter Assembly.

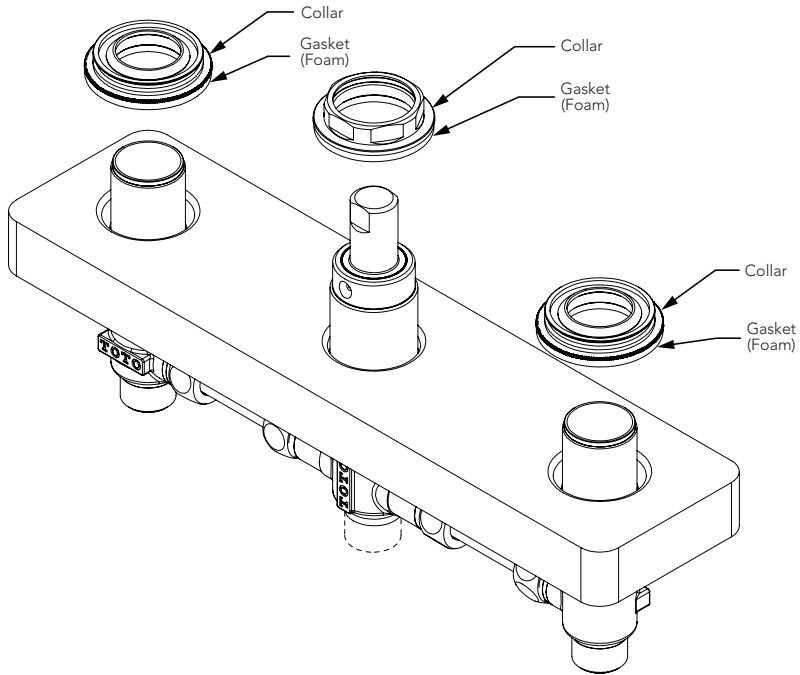
Connect Valves and Diverter assembly using connecting tubes (SOLD SEPARATELY, see detail in Table 1) with provided Gasket (Blue) as shown.

Tighten nuts on connecting tubes until slightly loose (need adjustability for later installation)



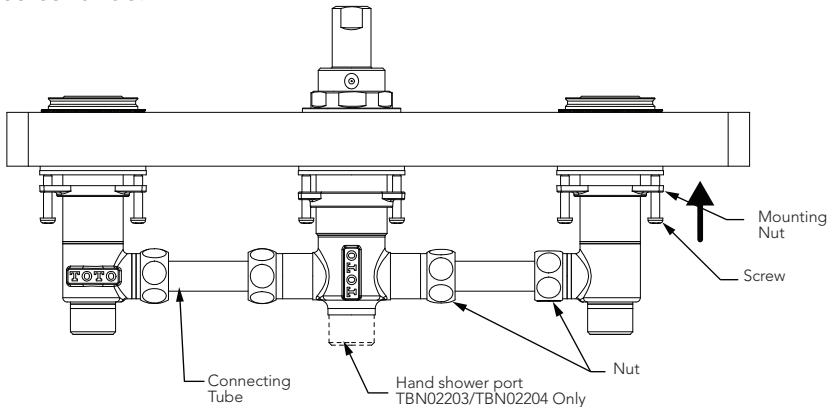
INSTALLATION PROCEDURE

2. Pass the Valves and Diverter assembly up through the installation holes. Fasten the collar to the valves and diverter assembly until it stops.



3. Fixate valves and diverter assembly by threading the mounting nut up the valves. Tighten retaining screws equally to secure. Finish tightening connecting tube nuts.

Installation of TBN02201/TBN02202 (3 Hole Roman Tub Filler) is now complete. If installing TBN02203/TBN02204 (4 Hole Roman Tub Filler), please continue.

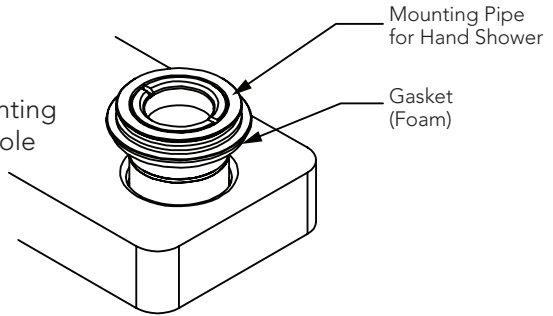


ENGLISH

INSTALLATION PROCEDURE

Hand Shower Mount (TBN02203/TBN02204)

1. Pass the Hand Shower Mounting Pipe through the installation hole from top.

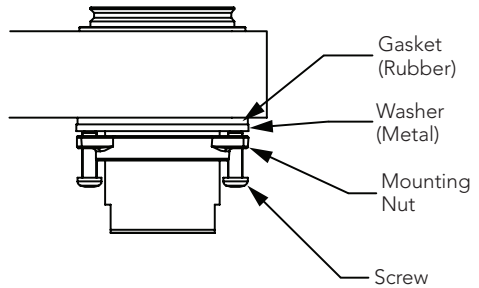


2. Insert Gasket (Rubber), Washer and mounting nut from the bottom side.

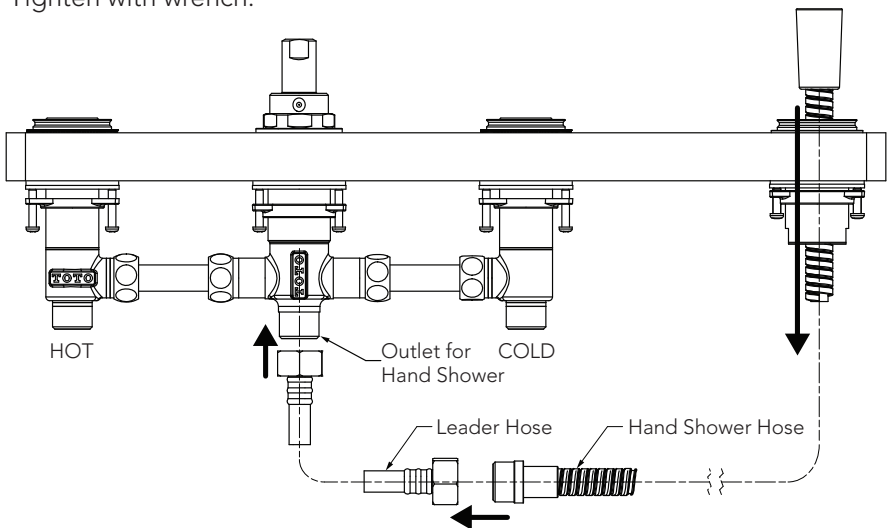
Fixate the mounting pipe by threading the mounting nut up the pipe until hand tight.

Tighten the retaining screws equally to secure.

Do not overtighten!



3. Fasten the leader hose to the bottom opening of the diverter. Pass the hand shower hose through the hand shower mount from top and connect to leader hose. Tighten with wrench.



4. Leave diverter plug in place while conducting leak testing. Construction of access panel in surrounding tub for future service is recommended.

WARRANTY

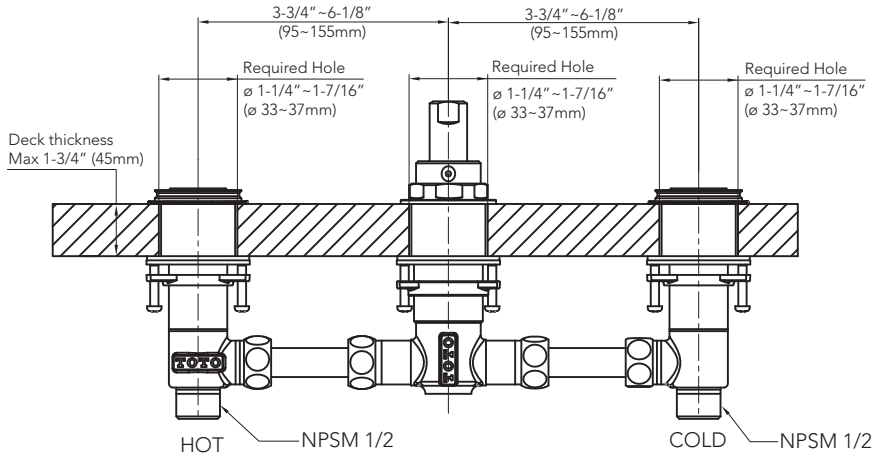
TOTO U.S.A., INC. LIMITED LIFETIME WARRANTY

1. TOTO warrants its residential faucets and bathroom accessories ("Product") to be free from defects in materials and workmanship during normal use when properly installed and serviced, for the lifetime of the Product from date of purchase. This limited warranty is extended only to the ORIGINAL PURCHASER of the Product and is not transferable to any third party, including but not limited to any subsequent purchaser or owner of the Product. This warranty applies only to TOTO Product purchased and installed in North, Central and South America.
2. TOTO's obligations under this warranty are limited to repair, replacement or other appropriate adjustment, at TOTO's option, of the Product or parts found to be defective in normal use, provided that such Product was properly installed, used and serviced in accordance with instructions. TOTO reserves the right to make such inspections as may be necessary in order to determine the cause of the defect. TOTO will not charge for labor or parts in connection with warranty repairs or replacements. TOTO is not responsible for the cost of removal, return and/or reinstallation of the Product.
3. This warranty does not apply to the following items:
 - a. Damage or loss sustained in a natural calamity such as fire, earthquake, flood, thunder, electrical storm, etc.
 - b. Damage or loss resulting from any accident, unreasonable use, misuse, abuse, negligence, or improper care, cleaning, or maintenance of the Product.
 - c. Damage or loss resulting from sediments or foreign matter contained in a water system.
 - d. Damage or loss resulting from improper installation or from installation of the Product in a harsh and/or hazardous environment, or improper removal, repair or modification of the Product.
 - e. Damage or loss resulting from electrical surges or lightning strikes or other acts which are not the fault of TOTO or which the Product is not specified to tolerate.
 - f. Damage or loss resulting from normal and customary wear and tear, such as gloss reduction, scratching or fading over time due to use, cleaning practices or water or atmospheric conditions, including but not limited to, the use of bleach, alkali, acid cleaners, dry (powder) cleaners or any other abrasive cleaners or the use of metal or nylon scrubbers.
4. In order for this limited warranty to be valid, proof of purchase is required. TOTO encourages warranty registration upon purchase to create a record of Product ownership at <http://www.totousa.com>. Product registration is completely voluntary and failure to register will not diminish your limited warranty rights.
5. If the Product is used commercially or is installed outside of North, Central or South America, TOTO warrants the Product to be free from defects in materials and workmanship during normal use for one (1) year from the date of installation of the Product, and all other terms of this warranty shall be applicable except the duration of the warranty.
6. THIS WARRANTY GIVES YOU SPECIFIC LEGAL RIGHTS. YOU MAY HAVE OTHER RIGHTS WHICH VARY FROM STATE TO STATE, PROVINCE TO PROVINCE OR COUNTRY TO COUNTRY.
7. To obtain warranty repair service under this warranty, you must take the Product or deliver it prepaid to a TOTO service facility together with proof of purchase (original sales receipt) and a letter stating the problem, or contact a TOTO distributor or products service contractor, or write directly to TOTO U.S.A., INC., 1155 Southern Road, Morrow, GA 30260 (888) 295 8134 or (678) 466-1300, if outside the U.S.A. If, because of the size of the Product or nature of the defect, the Product cannot be returned to TOTO, receipt by TOTO of written notice of the defect together with proof of purchase (original sales receipt) shall constitute delivery. In such case, TOTO may choose to repair the Product at the purchaser's location or pay to transport the Product to a service facility.

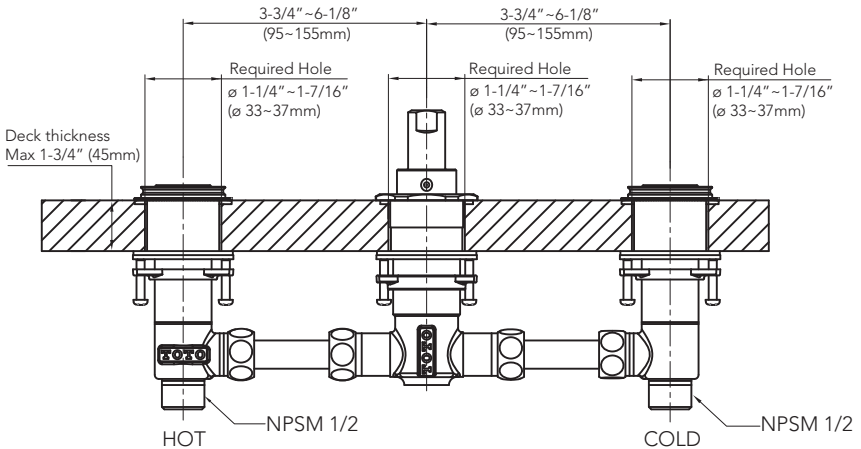
THIS WRITTEN WARRANTY IS THE ONLY WARRANTY MADE BY TOTO. REPAIR, REPLACEMENT OR OTHER APPROPRIATE ADJUSTMENT AS PROVIDED UNDER THIS WARRANTY SHALL BE THE EXCLUSIVE REMEDY AVAILABLE TO THE ORIGINAL PURCHASER. TOTO SHALL NOT BE RESPONSIBLE FOR LOSS OF THE PRODUCT OR FOR OTHER INCIDENTAL, SPECIAL OR CONSEQUENTIAL DAMAGES OR EXPENSES INCURRED BY THE ORIGINAL PURCHASER, OR FOR LABOR OR OTHER COSTS DUE TO INSTALLATION OR REMOVAL, OR COSTS OF REPAIRS BY OTHERS, OR FOR ANY OTHER EXPENSE NOT SPECIFICALLY STATED ABOVE. IN NO EVENT WILL TOTO'S RESPONSIBILITY EXCEED THE PURCHASE PRICE OF THE PRODUCT. EXCEPT TO THE EXTENT PROHIBITED BY APPLICABLE LAW, ANY IMPLIED WARRANTIES, INCLUDING THAT OF MERCHANTABILITY OR FITNESS FOR USE OR FOR A PARTICULAR PURPOSE, ARE EXPRESSLY DISCLAIMED. SOME STATES DO NOT ALLOW LIMITATIONS ON HOW LONG AN IMPLIED WARRANTY LASTS, OR THE EXCLUSION OR LIMITATION OF INCIDENTAL OR CONSEQUENTIAL DAMAGES, SO THE ABOVE LIMITATION AND EXCLUSION MAY NOT APPLY TO YOU.

ROUGH-IN DIMENSIONS / BOSQUEJO ROBINETTERIE BRUTE / DIMENSÕES APROXIMADAS

TBN02201 (For 3 Hole Roman Tub Filler)



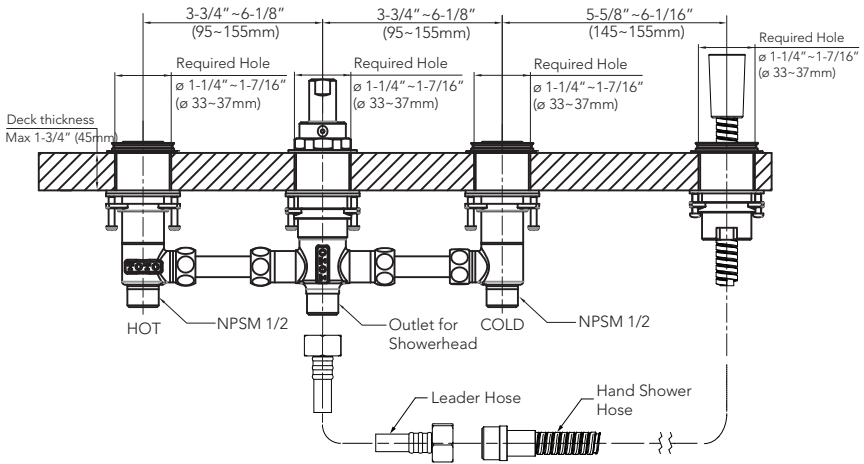
TBN02202 (For 3 Hole Roman Tub Filler)



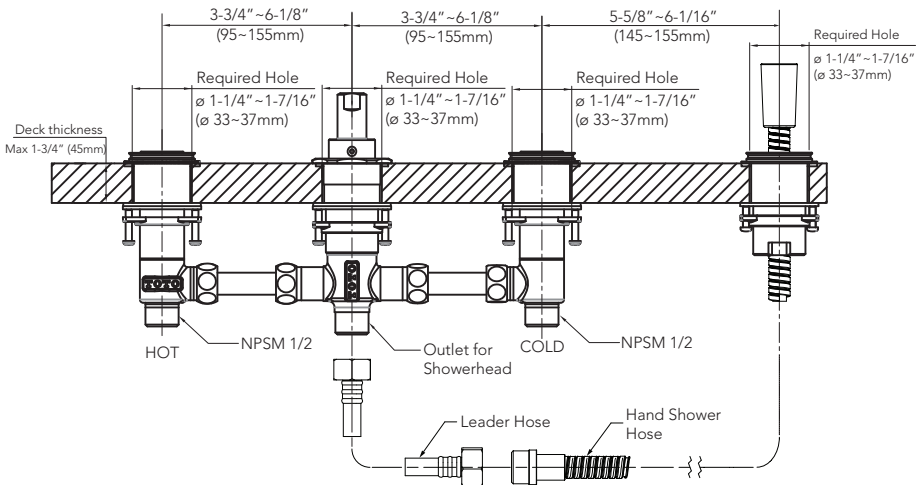
NOTE: Unit for dimensions = inches
Dimension in () is mm.

ROUGH-IN DIMENSIONS / BOSQUEJO ROBINETTERIE BRUTE / DIMENSÕES APROXIMADAS

TBN02203 (For 4 Hole Roman Tub Filler)



TBN02204 (For 4 Hole Roman Tub Filler)



NOTE: Unit for dimensions = inches
Dimension in () = mm.

TOTO

TOTO U.S.A., Inc. 1155 Southern Road,
Morrow, Georgia 30260
Tel: 888-295-8134 Fax: 800-699-4889
www.totousa.com

0GU4308

Rev A



Warranty Registration and Inquiry

For product warranty registration, TOTO U.S.A. Inc. recommends online warranty registration. Please visit our web site <http://www.totousa.com>. If you have questions regarding warranty policy or coverage, please contact TOTO U.S.A. Inc., Customer Service Department, 1155 Southern Road, Morrow, GA 30260 (888) 295-8134 or (678) 466-1300 when calling from outside of U.S.A.