

Submittal Package

viega



Viega Visign® for Style 12 Flush Plates for Eco Plus® WC Carriers
Part numbers 54565, 545740, 54575, 54640, 54645, 54725, 54730, 54735, 54740

Architect / Engineer Approval

Job Name: _____

Date: _____

Quantity: _____

Architect: _____

Engineer: _____

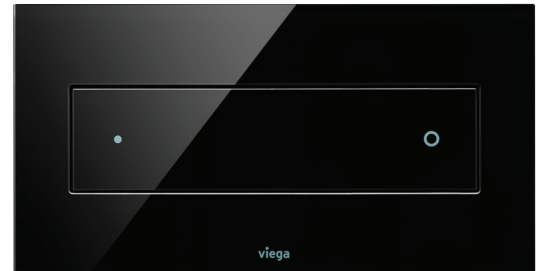
Submittal Package

viiega

Viega Visign® for Style 12 Flush Plates for Eco Plus® WC Carriers

Part numbers 54565, 545740, 54575, 54640, 54645, 54725, 54730, 54735, 54740

Viega Visign for Style 12 flush plates have a clean and timeless design that is available in a wide range of materials and finishes. The plates can be flush mounted and the dual flush technology is achieved with the Bowden cable unit.

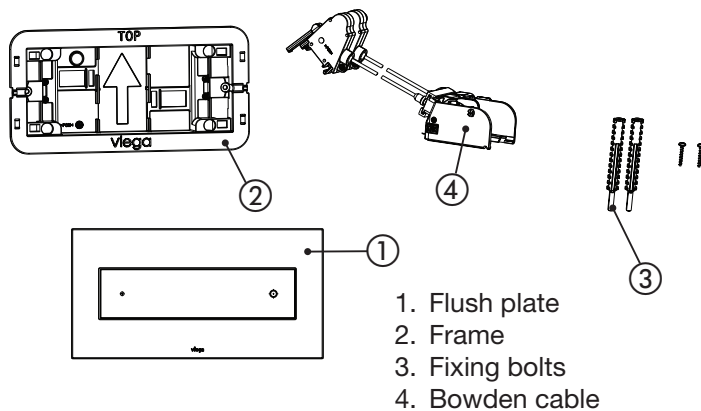


Compatible with these carriers:

- 52700 1.6/1.1 gpf 2x6 carrier
- 52710 1.6/0.8 gpf 2x4 carrier
- 52711 1.2/0.7 gpf 2x6 carrier
- 52712 1.2/0.7 gpf 2x4 carrier

Accessories:

Flush mount installation frame (part number 54935).



DESIGNPREIS
2008
NOMINIERT

DESIGN
AWARD
2017



reddot award 2017
winner

DESIGN PLUS
powered by: ISH

Submittal Package



Name	Dimensions	Features and Components	Part No.	Material and Finish
Viega Visign for Style 12		Features: Bowden cable flush actuation Components: See figure above for all components	54565	Cover Plate: Metal and Brushed Stainless Actuator: Metal and Brushed Stainless
			54570	Cover Plate: Glass and White Actuator: Glass and White
			54575	Cover Plate: Glass and Black Actuator: Glass and Black
			54640	Cover Plate: Glass and White Actuator: Glass and White
			54645	Cover Plate: Glass and Black Actuator: Plastic and Chrome
			54725	Cover Plate: Plastic and White Actuator: Plastic and White
			54730	Cover Plate: Plastic and Chrome Actuator: Plastic and Chrome
			54735	Cover Plate: Plastic and Matte Chrome Actuator: Plastic and Matte Chrome
			54740	Cover Plate: Plastic and Brushed Nickel Actuator: Plastic and Brushed Nickel



((Products marked with comply with the American Disabilities Act (ADA) when installed per the requirements of the latest ADA Accessibility Guidelines (ADAAG) and/or ICC/ANSI A117.1))

Viega products are designed to be installed by licensed and trained plumbing and mechanical professionals who are familiar with Viega products and their installation. **Installation by non-professionals may void Viega LLC's warranty.**

This document is subject to updates. For the most current Viega technical literature please visit www.viega.us.

Viega LLC • 585 Interlocken Blvd. • Broomfield, CO 80021 • Phone (800) 976-9819 • www.viega.us