

## Viega® Flushing Systems Eco Plus® Water Closet Carriers Model 8180US for 2 x 6 walls and Model 8108.1US for 2 x 4 walls

Viega flushing system carriers conceal the tank and internal components of a wall hung water closet for a clean, modern look and more floor space. The carrier transfers the weight of a toilet bowl to the wall studs and moves the drain inside of the wall. Elevating the toilet off the floor allows for a cleaner looking installation and a more hygienic space.

All internal components, including flush valve, fill valve, and shutoff valve are accessible behind the flush plate for ease of maintenance.

German engineered fill valves are designed to handle the most aggressive water, making Viega Eco Plus WC carriers ideal for graywater, rainwater, and other water re-use systems.

Multiple award winning flush plates are available in a variety of finishes and materials.

### Dual Flush

Dual flush devices are not intended to be used as retrofit devices with existing 1.28 gpf water closet bowls. The bowl installed must be intended for use with a dual flush tank.

Performance may vary. Product not tested with all available bowls.

While Viega Eco Plus WC Carriers are subjected to extensive performance testing, only a complete toilet can comply with official EPA WaterSense. Components such as tanks and bowls can not be listed separately. For a WaterSense listed toilet, install a bowl from the "WaterSense listed when used with:" table.

### Certifications:

Frame	load tested to ASME A112.6.2
Flush valves	ASME A112.19.14 ASME A112.19.5 CSA B45.15 IAPMO PS 50
Fill valves	ASME A112.1002 ASSE 1002 CSA B125.12



Compliant with California Energy Commission requirements for toilets.




V1.2\*

(\*When used with listed bowls. See page 3.)



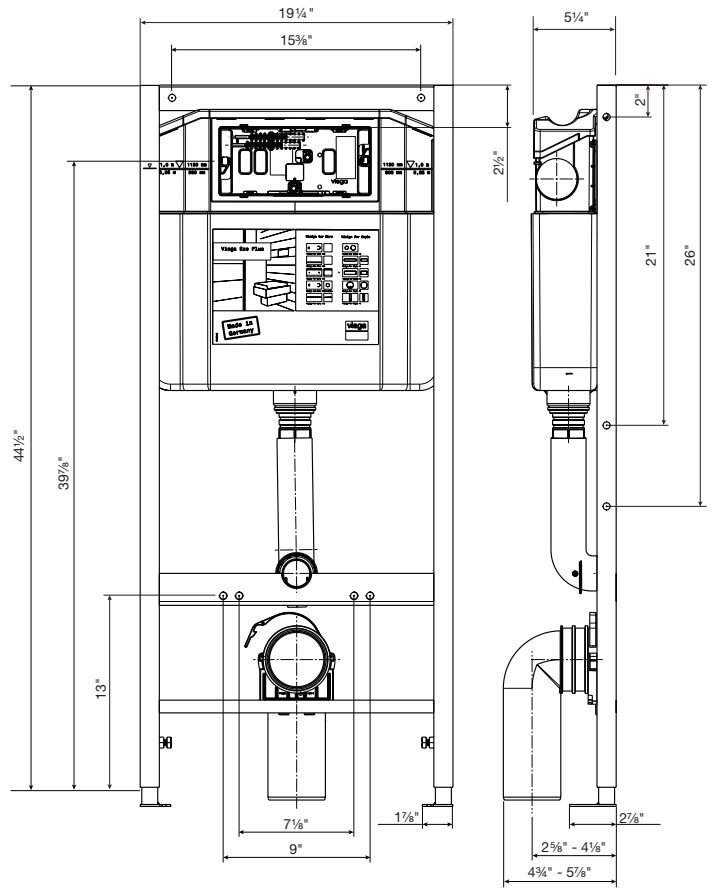
ADA Compliant

((Products marked with  comply with the American Disabilities Act (ADA) when installed per the requirements of the latest ADA Accessibility Guidelines (ADAAG) and/or ICC/ANSI A117.1))

# TechData



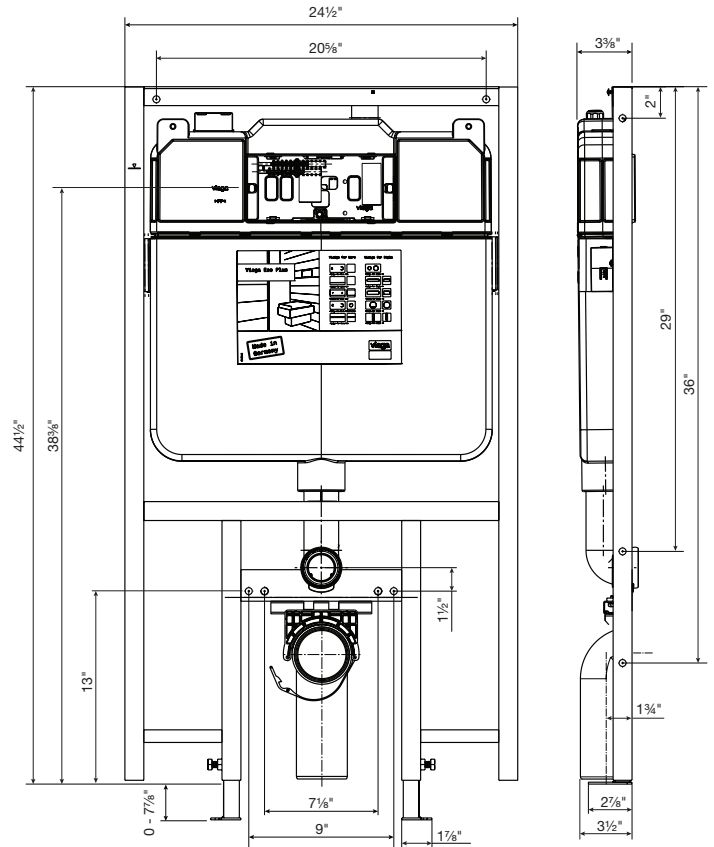
**Model 8180US for 2 x 6 walls**  
**Dual flush: 1.6/1.1 GPF (6.0/4.0 LPF)**



# TechData

**viega**

**Model 8108.1US for 2 x 4 walls**  
**Dual flush: 1.6/0.8 GPF (6.0/3.0 LPF)**



## WaterSense listed when used with:

Manufacturer	Model Number	Model Name
<b>Duravit</b>	22170900921	Duravit wall mounted toilet
	2226090092	Duravit wall mounted toilet
	22260900921	Duravit wall mounted toilet
	2533090092	Duravit wall mounted toilet
	2537090092	Duravit wall mounted toilet
	2542090092	Duravit wall mounted toilet
	2544090092	Duravit wall mounted toilet
	2550090092	Duravit wall mounted toilet
	22200900921	Duravit wall mounted toilet
<b>Kohler</b>	K-6299	Veil
<b>Toto</b>	CT418FG	Aquia
	CT486FG	Maris

## Compatible bowls

Manufacturer	Model Number	Model Name
<b>Blu Bathworks</b>	LW6008	Coco
	LW6020A	Metrix
	LW6030A	Coco
<b>Duravit</b>	18209	1930 Series
	222009	2 <sup>nd</sup> Floor
	017509	Bathroom_Foster
	015609	Caro
	221109	D-Code
	222809	D-Code
	253509	D-Code
	254409	Darling New
	254509	Darling New
	255709	Darling New
	018509	Duraplus
	254709	Duraplus
	253609	DuraStyle
	253709	DuraStyle
	253809	Durastyle
	253909	DuraStyle
	254009	DuraStyle
	254109	DuraStyle
	254209	DuraStyle
	255109	DuraStyle
	255209	DuraStyle
	255909	DuraStyle
	256209	DuraStyle
	222109	Happy D.2
	222209	Happy D.2
	255009	Happy D.2
	252809	ME by Stark
	252909	ME by Stark
	253009	ME by Stark
	256109	P3 Comforts
221909	Puravida	

# TechData

**viega**

## Compatible bowls (cont.)

Manufacturer	Model Number	Model Name
<b>Duravit (cont.)</b>	021009	Starck 1
	253309	Starck 2
	253409	Starck 2
	220309	Starck 3 extra long
	222509	Starck 3
	222529	Starck 3
	222609	Starck 3
	222709	Starck 3 compact
	222659	Starck 3
	252709	Starck 3
	221709	Vero
	D2557090092	Duravit wall mounted toilet
<b>DXV</b>	D29001000.415	Seagram
<b>Icera</b>	C-6610	Clarity
	C-2340	Metro
	C-2370	Piano
<b>Kallista</b>	P70361-00	Pléo
<b>Lacava</b>	5051WC	Giulia
	4278	Piazza
	6058	Suave
<b>Laufen</b>	820978	Alessi One
	820908	Alessi One
	820808	Palomba
	820338	Kartell
	820439	Living
	820688	LB3
	820708	Palace
	820963	Laufen Pro S
	820950	Laufen Pro
	820969	Laufen Pro
	820661	HiJet

## Compatible bowls (cont.)

Manufacturer	Model Number	Model Name
<b>Mirabelle</b>	MIRED220WH	Edenton
	MIRWH220WH	Winter Haven
	MIRBD220WH	Bradenton
<b>Neo-Metro</b>	8951	Euro-Urban Contour
	8957	Metaal
	8952	miniLoo
<b>Porcher</b>	47010-11	Solutions
<b>ROCA</b>	346768	Armani
	346518	Dama Senso
	346468	Giralda
	346628	Hall
	346568	Happening
<b>Villeroy &amp; Boch</b>	5684-U1-01	Architectura
	4688-UR-01	Architectura-Elongated
	5627-U1-R1	La Belle
	5628-U1-XX	Memento
	6661-U0-R1	Strada
	5600-U0-XX	Subway
	5614-UR-XX	Subway-Rimless
	4609-UR-XX	Subway-Elongated-Rimless
6600-U1-XX	Subway-D-shape	

Viega products are designed to be installed by licensed and trained plumbing and mechanical professionals who are familiar with Viega products and their installation. **Installation by non-professionals may void Viega LLC's warranty.**

This document is subject to updates. For the most current Viega technical literature please visit [www.viega.us](http://www.viega.us).

**Viega LLC • 585 Interlocken Blvd. • Broomfield, CO 80021 • Phone (800) 976-9819 • [www.viega.us](http://www.viega.us)**