



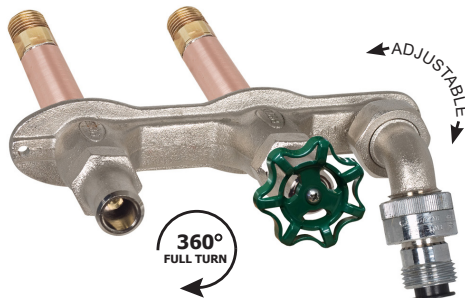
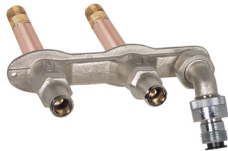
4515 East 139th Street
 Grandview, MO 64030
 (800) 362-9055
 Fax (800) 362-1463
 www.PRIER.com

C-108/208 Hot & Cold Wall Hydrant

Application

Vertical or Horizontal Installation

C-208 Loose Key Design



- Residential
- Freezeless
- Anti-Siphon
- Hot & Cold Mixing



PRIER C-108 provides a year round source of tempered water to areas of structures that are subject to freezing temperatures. The hydrant valve is connected to the supply piping in the heated portion of the structure, eliminating the possibility of freezing. The hot side is loose key operated to prevent unauthorized operation. Unique to its patented design, the same product is available as horizontal or vertical. Ordering the C-208 gives you the same style hydrant but with vandal proof extended lockshields with operating key on both hot and cold stems.

The PRIER C-108 has all the characteristics of the historically proven C-134 with the added protection of a self-draining anti-siphon vacuum breaker and backflow check valve. It is available from stock in lengths from close coupled to 24", longer sizes are available on request.

Features

- Horizontal or vertical installation with same product
- Anti-siphon vacuum breaker with backflow check valve
- Internal checks to prevent thermal migration
- 3 1/2" center-to-center installation template provided
- Enclosed screw holes easily secure mounting screws
- Solid brass body, valve stem cap, seat and stem Ends
- Satin nickel plated body maintains attractive finish
- Stainless steel seat washer screw and handle screw
- Durable ACME threads secure stem at seat end
- Lock shield cap for stronger valve design
- AFG teflon with graphite packing for easy maintenance
- Standard "OO" size seat washer
- Spout aligning mark

Inlet Styles



Ordering

C-108D10

Operator

- 1- Handle Operated
- 2- Vandal Proof Lockshield

Inlet

- D- 1/2" MPT x 1/2" SWT
- F- 3/4" MPT x 3/4" SWT
- S- 1/2" SWT x 3/4" Push-On
- T- 3/4" MIP x 1/2" FIP
- W- 1/2" Wirsbo PEX®
- X- 1/2" Crimp PEX
- FX- 3/4" Crimp PEX
- FW- 3/4" Wirsbo PEX®

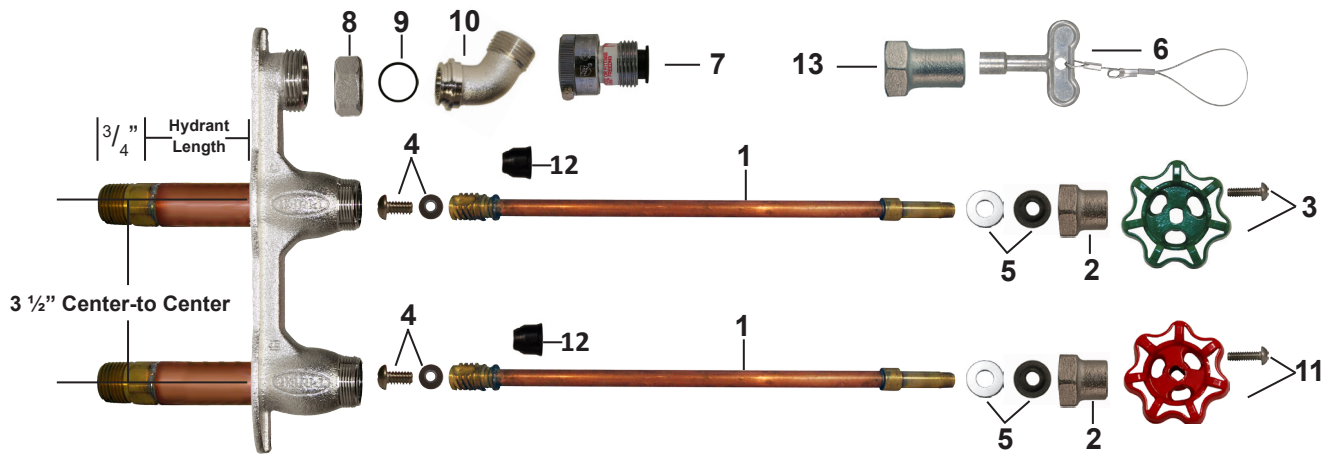
Length

- CC- Close Coupled
- 04- 4" Insertion
- 06- 6" Insertion
- 08- 8" Insertion
- 10- 10" Insertion
- 12- 12" Insertion
- 14- 14" Insertion
- 16- 16" Insertion
- 18- 18" Insertion
- 20- 20" Insertion
- 22- 22" Insertion
- 24- 24" Insertion
- XX- Special Size



4515 East 139th Street
 Grandview, MO 64030
 (800) 362-9055
 Fax (800) 362-1463
 www.PRIER.com

Replacement Parts



| ID | Part No. | Description | ID | Part No. | Description |
|----|-------------|-----------------------------------|----|-------------|--|
| 1 | See Below | Stem Assembly, Contains: 1, 4, 12 | 8 | 300-0030 | Hose Thread Nut |
| 2 | 300-1008 | Valve Stem Cap | 9 | 336-0005 | O-Ring for Hose Thread Adapter |
| 3 | C-134KT-805 | Oval Handle and Screw Kit | 10 | 300-0029 | Hose Thread Adapter |
| 4 | C-134KT-802 | Seat Washer Kit (00 Beveled) | 11 | C-108KT-805 | Red Handle and Screw Kit |
| 5 | C-134KT-803 | Stem Packing Kit | 12 | 336-0002 | Backflow Check Valve for C-108 |
| 6 | C-108KT-808 | Loose Key on Lanyard | 13 | 310-1015 | Loose Key Valve Stem Cap |
| 7 | P-003CP | Replacement Vacuum Breaker | | C-134KT-804 | Loose Key Conversion Kit, Contains: 5, 6, 13 |

Replacement Stems



G Style Manufactured April 2013 - Present

| Part No. | Style | Description | Stem Length |
|------------|-------|---|-------------------|
| P-231-12CC | G | Close Coupled Stem for C-108 Hydrant | 4 3/8" OAL |
| P-231-1204 | G | Stem for 4" C-108 Hydrant | 6 7/8" OAL |
| P-231-1206 | G | Stem for 6" C-108 Hydrant | 8 7/8" OAL |
| P-231-1208 | G | Stem for 8" C-108 Hydrant | 10 7/8" OAL |
| P-231-1210 | G | Stem for 10" C-108 Hydrant | 12 7/8" OAL |
| P-231-1212 | G | Stem for 12" C-108 Hydrant | 14 7/8" OAL |
| P-231-1214 | G | Stem for 14" C-108 Hydrant | 16 7/8" OAL |
| P-231-1216 | G | Stem for 16" C-108 Hydrant | 18 7/8" OAL |
| P-231-1218 | G | Stem for 18" C-108 Hydrant | 20 7/8" OAL |
| P-231-1220 | G | Stem for 20" C-108 Hydrant | 22 7/8" OAL |
| P-231-1222 | G | Stem for 22" C-108 Hydrant | 24 7/8" OAL |
| P-231-1224 | G | Stem for 24" C-108 Hydrant | 26 7/8" OAL |
| P-231-02US | G | *Universal Replacement Stem for C-108 Hydrant | Up to 16 7/8" OAL |

****For the old style C-108 Series wall hydrant stems, see C-108 Series retired style spec sheet at www.PRIER.com. PRIER universal stems are replacement stems for any size from close coupled to 14." They require cutting the rod to proper length and soldering the brass stem end to the rod as directed in instructions.**