

**PRODUCT SPECIFICATIONS**

Gourmet (Lustertone®) Stainless Steel Double Bowl Top Mount Quick-Clip® Sink. Overall dimensions are 33" x 21-1/4" x 5". Sink is manufactured from 18 gauge 304 Stainless Steel with a Lustrous Highlighted Satin finish, Rear Center drain placement and Full spray sides and bottom.

|                              |                                     |
|------------------------------|-------------------------------------|
| <b>Installation Type:</b>    | Top Mount                           |
| <b>Material:</b>             | 304 Stainless Steel                 |
| <b>Special Features:</b>     | Quick-Clip Mounting System          |
| <b>Finish:</b>               | Lustrous Highlighted Satin          |
| <b>Gauge:</b>                | 18                                  |
| <b>Sound Deadening:</b>      | Full spray sides and bottom         |
| <b>Number of Bowls:</b>      | 2                                   |
| <b>Sink Dimensions:</b>      | 33" x 21-1/4" x 5"                  |
| <b>Bowl 1 Dimensions:</b>    | 13-1/2" x 16" x 4-7/8"              |
| <b>Bowl 2 Dimensions:</b>    | 13-1/2" x 16" x 4-7/8"              |
| <b>Drain Size:</b>           | 3-1/2" (89mm)                       |
| <b>Drain Location:</b>       | Rear Center                         |
| <b>Minimum Cabinet Size:</b> | 36"                                 |
| <b>Mounting Hardware:</b>    | Included for 3/4" (19mm) countertop |
| <b>Cutout Template #:</b>    | <a href="#">1000001288</a>          |

Template is available for download at [elkay.com](http://elkay.com)

**Cutout Dimensions for Top Mount Installation:**

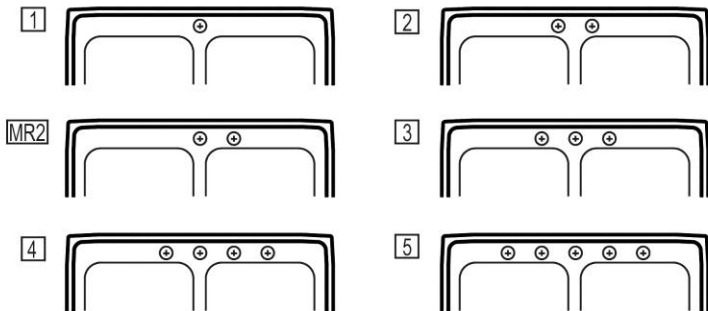
32-3/8" x 20-5/8" (822mm x 524mm) with 1-1/2" (38mm) corner radius



This sink is compliant to ADA and ANSI/ICC A117.1 accessibility requirements when installed according to the requirements outlined in these standards.

**Hole Drilling Configurations:**

1-1/2" (38mm) Diameter Faucet Holes on 4" (102mm) Centers



**AMERICAN PRIDE. A LIFETIME TRADITION.**

Like your family, the Elkay family has values and traditions that endure. For almost a century, Elkay has been a family-owned and operated company, providing thousands of jobs that support our families and communities.

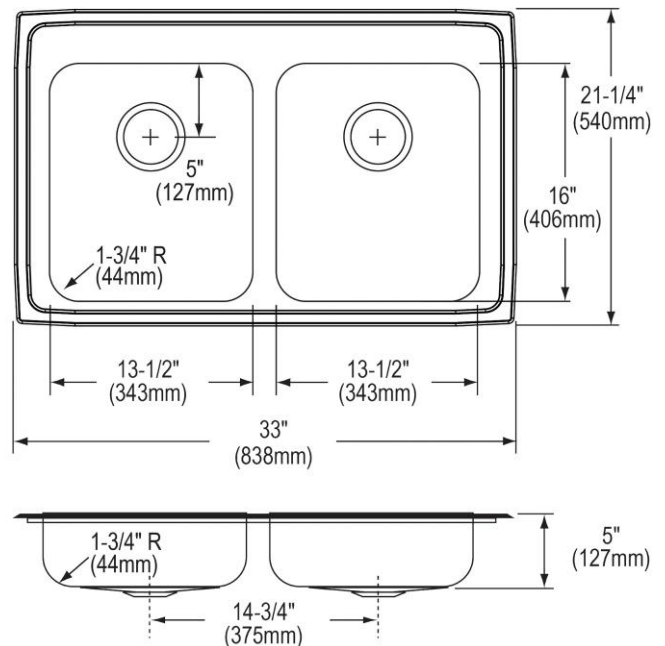


Sinks are listed by IAPMO® as meeting the applicable requirements of the Uniform Plumbing Code®, International Plumbing Code®, and National Plumbing Code of Canada.

**Product Compliance:** ADA  
BUY AMERICAN ACT  
ASME A112.19.3/CSA B45.4

[Clean and Care Manual \(PDF\)](#)  
[Installation Instructions \(PDF\)](#)  
[Limited Lifetime Warranty \(PDF\)](#)

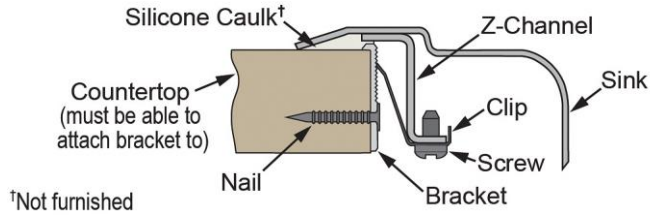
**Similar models are available with:** additional ADA depths, U Channel mounting system



PART: \_\_\_\_\_ QTY: \_\_\_\_\_  
 PROJECT: \_\_\_\_\_  
 CONTACT: \_\_\_\_\_  
 DATE: \_\_\_\_\_  
 NOTES: \_\_\_\_\_  
 APPROVAL: \_\_\_\_\_

In keeping with our policy of continuing product improvement, Elkay reserves the right to change product specifications without notice. Please visit [elkay.com](http://elkay.com) for the most current version of Elkay product specification sheets. This specification describes an Elkay product with design, quality, and functional benefits to the user. When making a comparison of other producers' offerings, be certain these features are not overlooked.

**Installation Profile:**



**OPTIONAL ACCESSORIES**

|                        |                                       |
|------------------------|---------------------------------------|
| <b>Bottom Grid:</b>    | LKWOBG1316SS                          |
| <b>Cutting Board:</b>  | CB1613, CB1713, CBR1316, CBS1316      |
| <b>Drain:</b>          | LK99, LKAD35                          |
| <b>Faucet:</b>         | LKGT1041, LKGT2041                    |
| <b>Rinsing Basket:</b> | LKWRB1316SS, LKWERBSS                 |
| <b>Sinkmate:</b>       | LKSM17, LKSMHOOK, LKSMSPONGE, LKSMHSL |
| <b>Soap Dispenser:</b> | LKGT1054                              |

*In keeping with our policy of continuing product improvement, Elkay reserves the right to change product specifications without notice. Please visit [elkay.com](http://elkay.com) for the most current version of Elkay product specification sheets. This specification describes an Elkay product with design, quality, and functional benefits to the user. When making a comparison of other producers' offerings, be certain these features are not overlooked.*