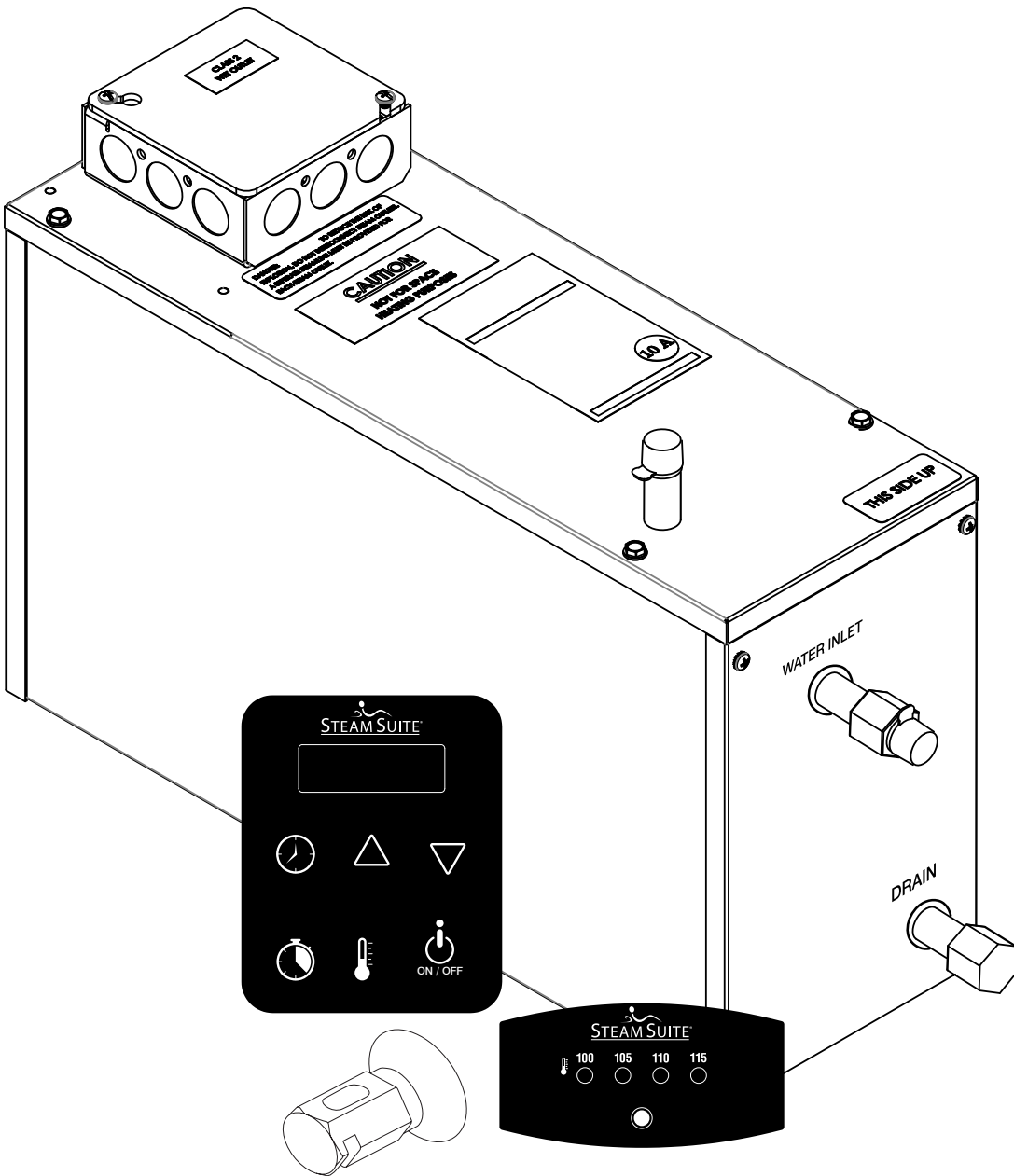


Steam Suite



Installation Operation Manual
thermasol.com/solutions



1 Important Information Before You Install

Make sure the walls, ceiling and floor materials are suitable for use with steam. If using acrylic walls, they must be steam rated from their manufacturer. ThermaSol only recommends specific generators for acrylic modules. Ensure electrical power is turned off for the duration of the installation.

PLEASE REVIEW WARNINGS BELOW AND LEAVE THIS MANUAL WITH HOMEOWNER

DO NOT USE THIS PRODUCT UNLESS YOU HAVE CONSULTED WITH YOUR DOCTOR AND RECEIVED WRITTEN PERMISSION TO DO SO. USE OF THIS PRODUCT MAY BE HAZARDOUS TO YOUR HEALTH.

PLEASE CONSULT YOUR PHYSICIAN BEFORE USING. IF YOU ARE PREGNANT, ELDERLY, HAVE HIGH BLOOD PRESSURE, DIABETES, SUFFER FROM HEART DISEASE, AND INTOXICATED, OR NOT IN GOOD HEALTH, DO NOT USE THIS STEAM BATH.

STEAM IS HOT! DO NOT TOUCH OR GO NEAR THE STEAMHEAD FROM THE TIME THE UNIT IS "ON", UP TO ONE HOUR AFTER IT HAS SHUT OFF. SEVERE BURNS WILL OCCUR IF YOU COME IN CONTACT WITH THE STEAMHEAD OR STEAM EMITTING FROM THE STEAMHEAD.

NEVER ATTEMPT TO FILL AROMA RESERVOIR ON THE STEAMHEAD WHEN UNIT IS IN THE ON POSITION. SEVERE BURNS WILL OCCUR.

DO NOT USE THERMASOL AROMATHERAPY OILS OR SKIN CARE PRODUCTS OR ANY PRODUCT ASSOCIATED WITH YOUR THERMASOL UNIT WITHOUT CONSULTING WITH YOUR ALLERGIIST OR DOCTOR BEFORE USE. THESE PRODUCTS MAY BE HAZARDOUS TO YOUR HEALTH.

DO NOT USE STEAM ROOM WHILE UNDER THE INFLUENCE OF ALCOHOL OR DRUGS, AS THIS CAN BE HAZARDOUS TO YOUR HEALTH.

YOUR SHOWER MAY BE A SLIP-AND-FALL HAZARD. CHECK WITH YOUR CONTRACTOR OR FLOORING MANUFACTURER REGARDING THE SAFE USE OF YOUR FLOORING IN A STEAM APPLICATION. SLIPPING AND FALLING INTO THE STEAMHEAD ITSELF OR INTO THE STREAM EMITTING FROM THE STEAMHEAD WILL CAUSE SERIOUS BURNS OR PHYSICAL INJURY.

IF YOU ARE FEELING UNCOMFORTABLE, DIZZY, FAINT, OR STARTING TO FALL ASLEEP IMMEDIATELY EXIT THE STEAM ROOM.

DO NOT USE STEAM ROOM IF YOU ARE UNDER THE AGE OF 16 UNLESS SUPERVISED BY AN ADULT.

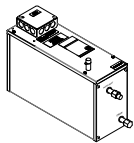
THERMASOL STEAM BATH GENERATORS ARE NOT DESIGNED TO BE USED FOR SPACE HEATING PURPOSES.

THERMASOL STEAM BATH GENERATORS ARE FOR INDOOR USE ONLY. THEY SHOULD NEVER BE LOCATED OUTSIDE THE HOME.

All products must be installed in accordance with installation instructions provided. Failure to do so may invalidate warranty at manufacturer's discretion.
©2018 ThermaSol.

2 Tools and Materials

Parts enclosed with the generator:



Steam generator



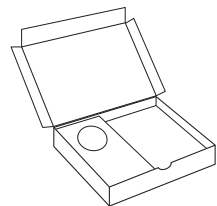
50 foot control cable



Installation instructions, warranty, static cling warning label



In-line water screen kit (comes pre-installed from the factory) Item 04-8457



Control Kit (purchased separately)

Materials needed:

- Brass ball valve 3/8" NPT or brass shut-off valve (for water supply shut-off)
- Pipe compound
- Copper or brass fittings & nipples (sizes and quantities per instructions)
- Wire (see page 3)
- Copper tube or pipe
- Wire cap nuts
- Flex conduit

- Brass or copper tee connection and plug
- Silicone
- Other materials as required
- Drain Pan

Materials recommended:

- In-line water filter (recommended)
- Brass Union

Tools needed:

- Pipe wrench

- Tubing cutter
- Wire cutters or wire strippers
- Adjustable wrench
- Screwdriver (Phillips and regular)
- Solder and flux
- 1-1/16" inch masonry drill bit
- 7/8" inch hole saw for deluxe steamhead
- Drill motor
- Propane torch
- Other tools as required

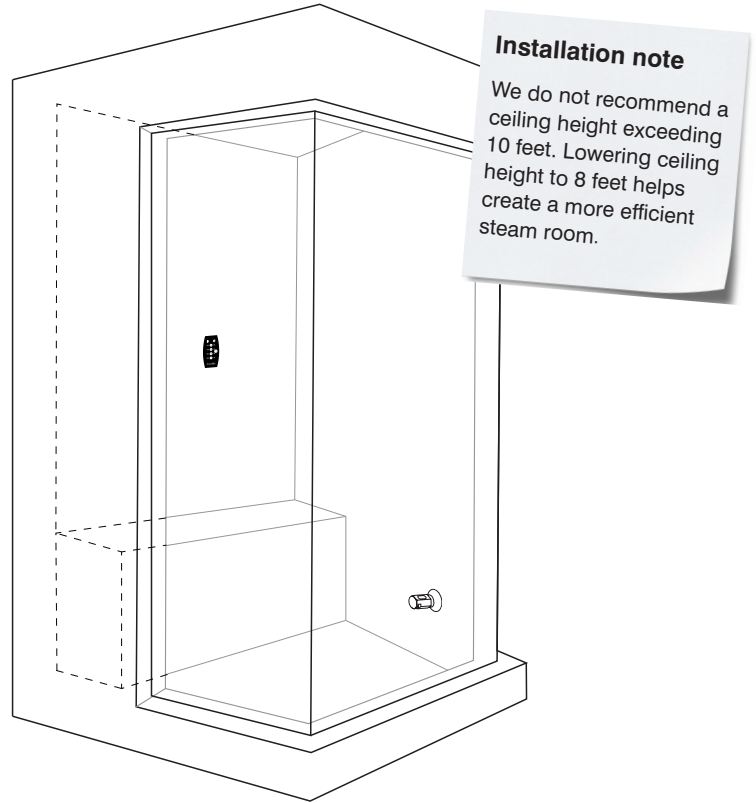
3 Sizing or Double Checking the Unit Specified

If you are installing the unit or thinking of adding one on your next project, you will need to make sure the unit is sized properly.

**Calculate the shower area
(Length x Width x Height = Cubic Feet)**

The model chart below has the cubic feet rating of each generator.

SteamSuite generators can be placed up to 50 feet from the shower; in an attic, closet or below a sink are ideal locations. Make sure the walls, ceiling and floor materials are suitable for use with steam.



4 Electrical Wiring

The size of the shower will determine the size of the generator. The size of the generator will determine electrical requirements.

- All the electrical wiring must be done per National/Local Electrical Codes.
- Run 240V Power source to the generator.
- Use copper wire only.
- Wire sizes recommended by NEC. Minimum wire temperature rating 90°C. Type THHN.
- Each generator should be wired to their own separate breaker.
- Turn off all electricity to the working area at the main breaker panel!
- Leave power OFF during installation process.

MODEL	INPUT VOLTAGE	KW RATING	AMPS	PHASE	WIRE	BREAKER	MAX. ROOM SIZE
LS-130	208-240VAC	8	37	1	8	40	175 CU.FT.
LS-375	208-240V AC	11	55	1	6	60	395 CU.FT.

ThermaSol requires that a licensed electrician perform all electrical work.

5 Placing the Generator

Select a location near the steam shower. Typical locations include: closet, vanity cabinet, climate controlled attic or basement. Must be within 50 feet.

Be sure to install unit in a location that offers easy accessibility for servicing of generator.

DO NOT install generator inside steam room.

DO NOT install generator or plumbing lines in unheated attic or any locations where water could freeze.

DO NOT install generator outdoors or wherever environmental conditions may affect the safety and/or performance of the generator.

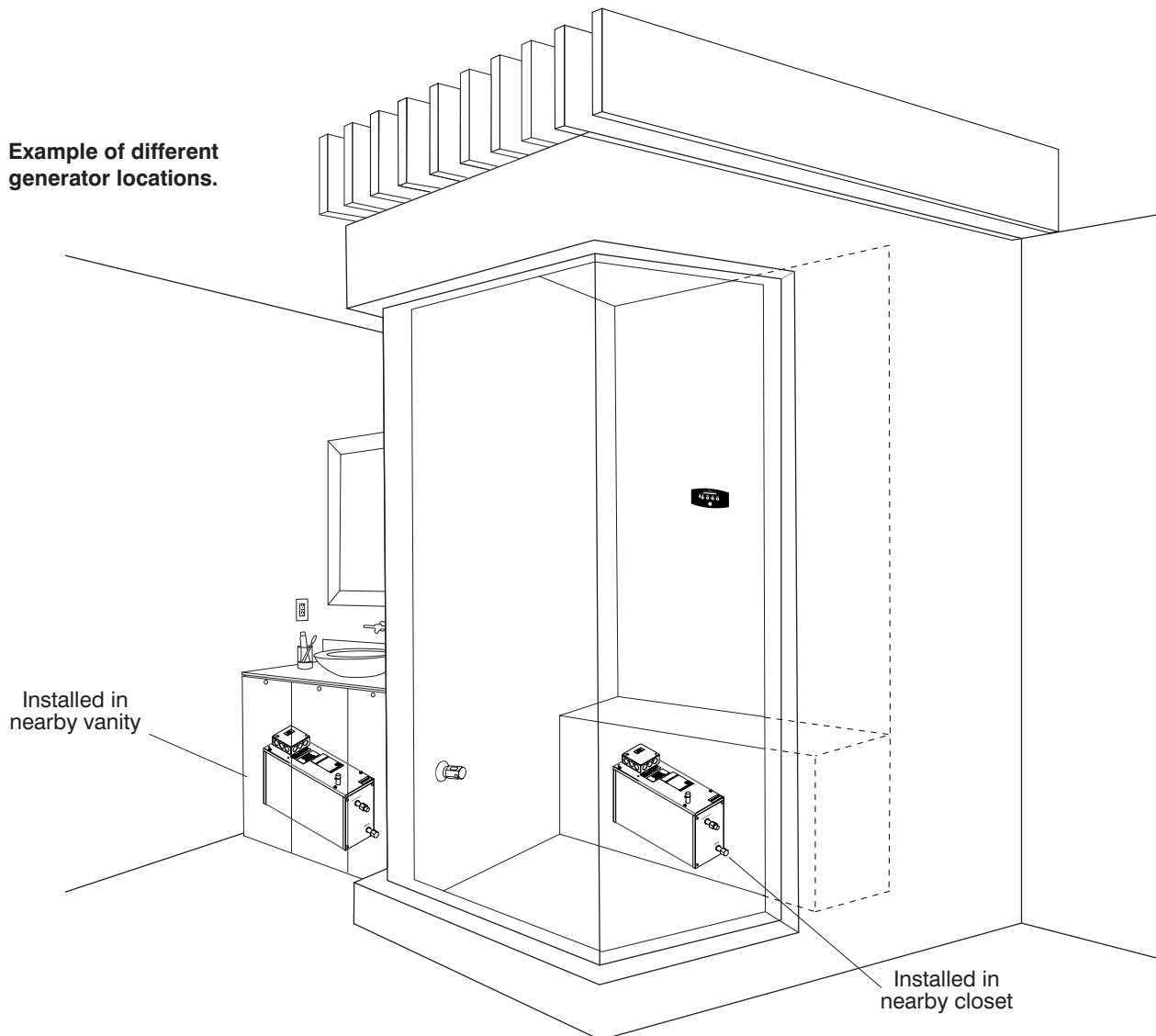
Generator may be installed up to 50 feet away from steam shower and must be in a dry, non-combustible, well ventilated space with 6" clearance around generator.

When constructing the ceiling add slope of 1"/foot. The control cable provided with the generator is 50 feet in length.

When locating the control unit, place it as far as possible away from the steam head and as close as possible to where the user will be sitting.

The generator must be upright, accessible and on a level surface with all connections on top. Access panel must be unobstructed and allow for easy access.

Example of different generator locations.



6 Water Supply and Drain Pan

Once you select the generator location, you will need to run water to the unit.

DO NOT use galvanized fittings. Use copper or brass fittings only!

DO NOT use PEX or PVC tubing.

DO NOT plumb the pressure relief valve into the steam line. Plumbing the pressure relief valve into the steam line can be hazardous, should the steam outlet be capped off or obstructed.

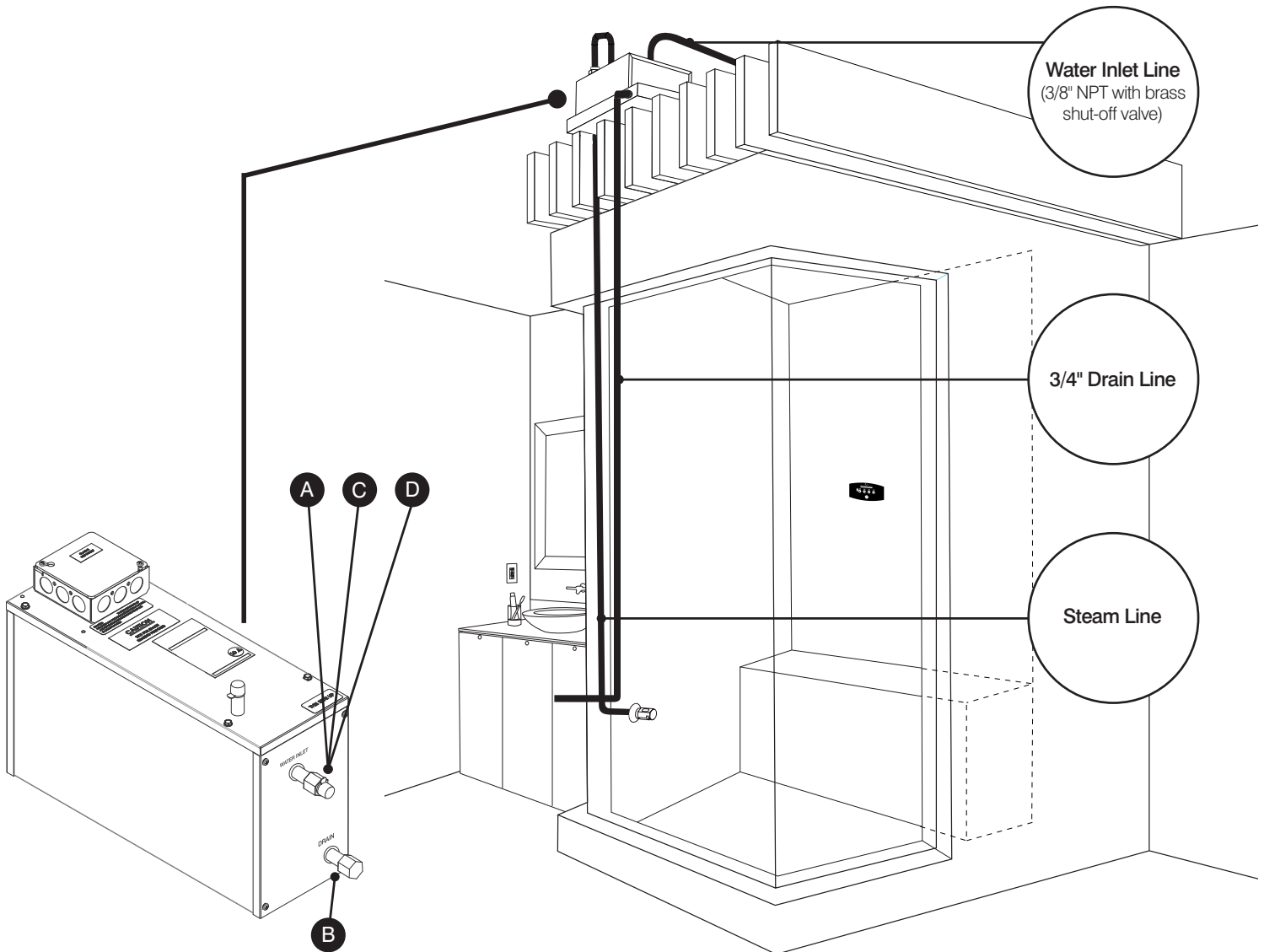
Recommend installing unions on all rigid pipe lines for ease of removal and serviceability (if required).

- A** Use 3/8" NPT line.
- B** A drain pan is required (not included) ensure the pan is plumbed to an approved drain.

- C** Connect a tee to the existing cold water line. Install copper pipe from the tee to create inlet line for unit.
- D** Install a brass shut off valve on the water inlet line in an accessible area in front of the brass union (and recommended in-line water filter). A stainless steel water supply flex connector may be used.

Before making the water connection, flush the water line into a five-gallon pail to remove any silt or other materials that may be in the water inlet line.

Make final connection but DO NOT turn the water on yet.



7 Steam Line and Steamhead

Now you will need to decide on the steamhead placement in the shower so you can run the steam line from the generator to the steamhead. There are a couple of things you need to know about the placement of the steamhead and steam line itself.

DO NOT install any valve in the steam line. Flow of steam must be unobstructed.

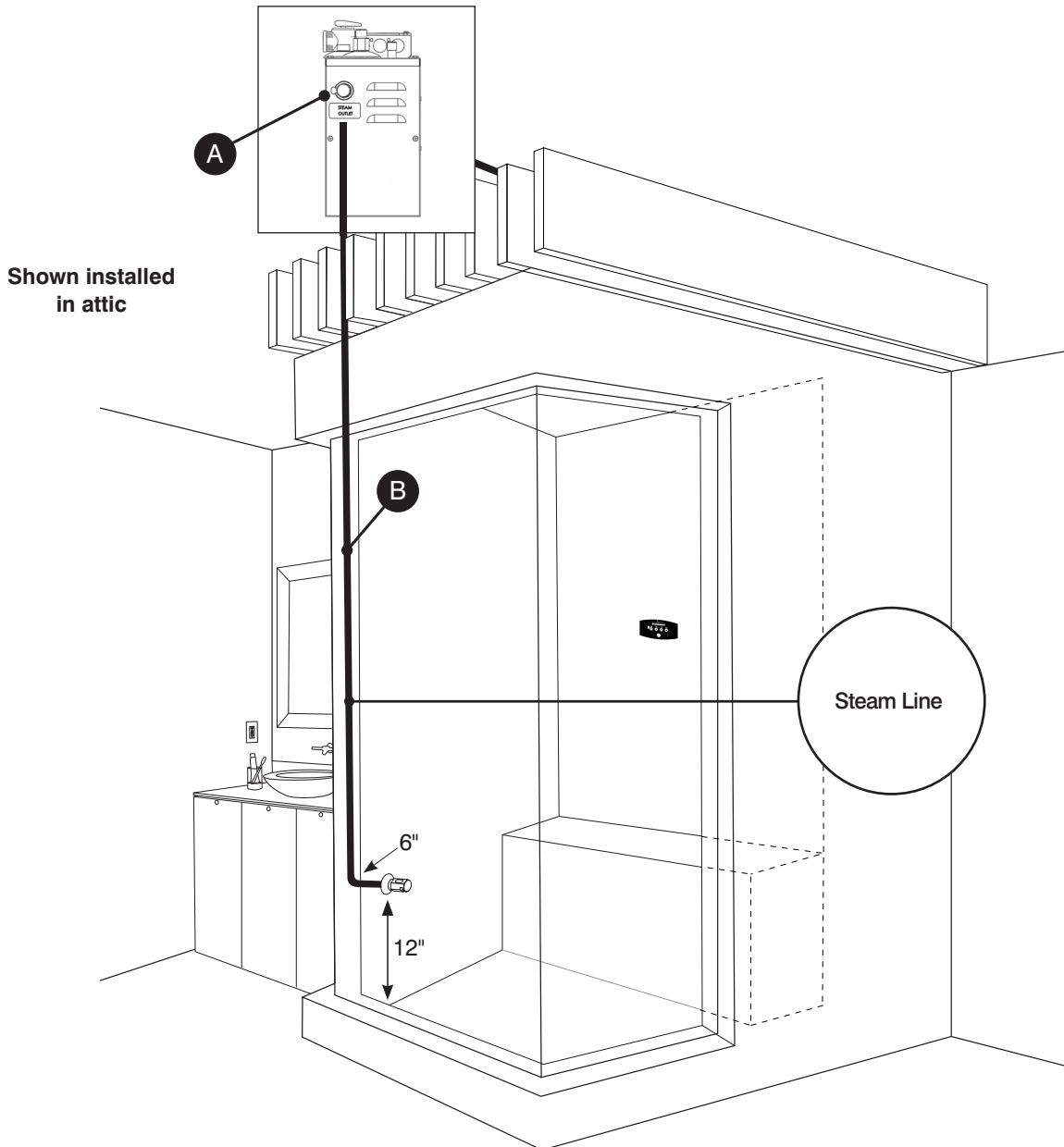
DO NOT plumb any traps in the steam line.

- A** The steam outlet on the generator requires a 1/2" brass union for easy installation (not included).
- B** Use 1/2" brass pipe or copper tubing from unit to steamhead rough-in fitting as permitted by code.

The steam line can run up and then down, once; or horizontal; but never run down and then up. If it does, a steam trap will be produced at the low point blocking the flow of steam.

Insulate the steam outlet piping if the piping run exceeds 10 feet or is exposed to cold areas. Use steam rated insulation.

Pitch/angle steam lines back towards generator before any up or down turns; pitch/angle towards steam room after any up or down and avoid perfectly level plumbed lines.



Steamhead Location

- C** DO NOT install the steamhead near the seating area or the user.

Install the steamhead 12" from the floor or bathtub rim and 6" from any corner.

Steamhead is to be mounted as far as possible from typical bathing position (seated or standing) and installed as far from the in-shower controller as possible.

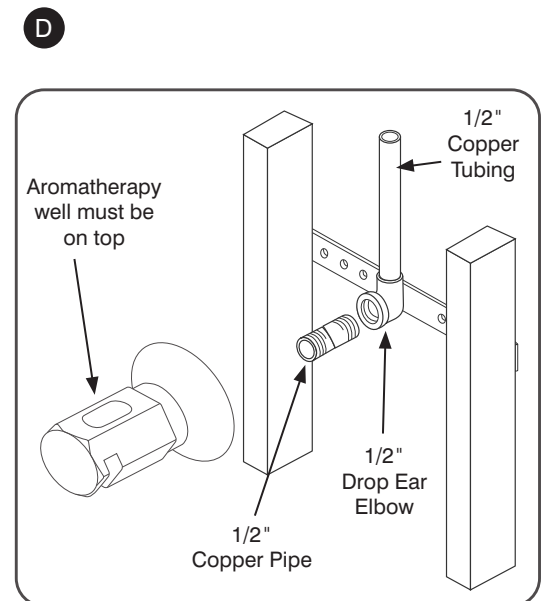
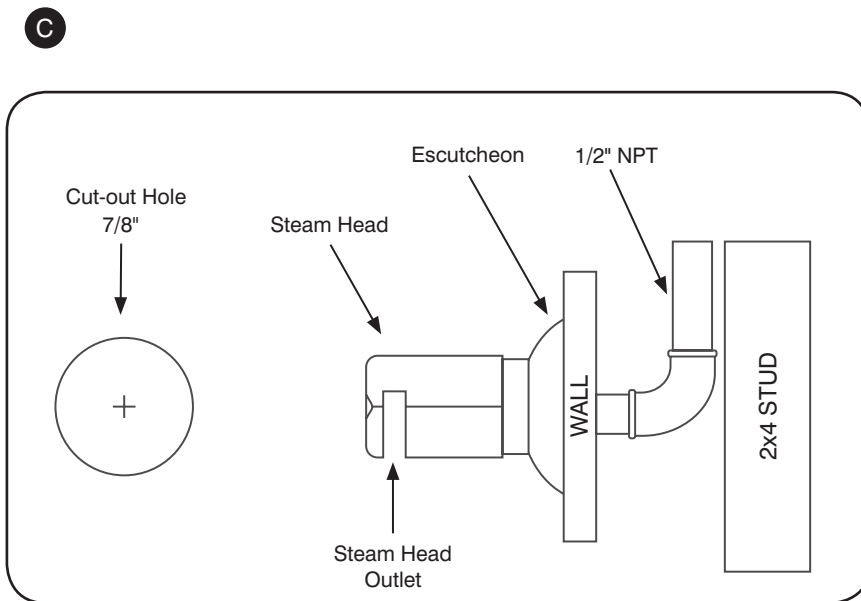
- i. Once a location is selected, drill a 7/8" hole in the shower wall.

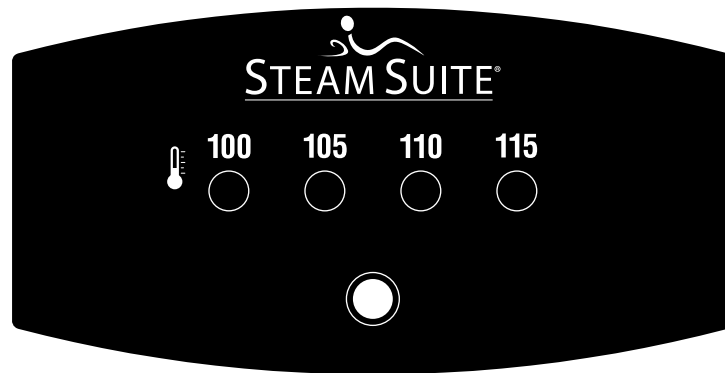
- D** Connect a 1/2" NPT brass pipe or copper tubing to the steam outlet union (not included) on the generator running the pipe to the steam head location in the wall to connect with the steamhead. It is very important that the pipe is firmly secured to the wall. Install a 1/2" drop-ear elbow on the end of the 1/2" pipe or tubing. Connect 1/2" copper pipe to the secured drop ear elbow. The pipe should extend into the shower area roughly 5/8".

Ensure a vapor proof barrier is created between the 1/2" copper pipe and the shower wall to prevent any vapor or water leaking into the wall.

Attach the steam head to the 1/2" copper pipe, ensure the aromatherapy well is on top. For all the connections, use solder for copper joints and Teflon tape for pipe fittings and do not over tighten fittings. DO NOT USE PVC CEMENT.

Use the below diagram as a guide.





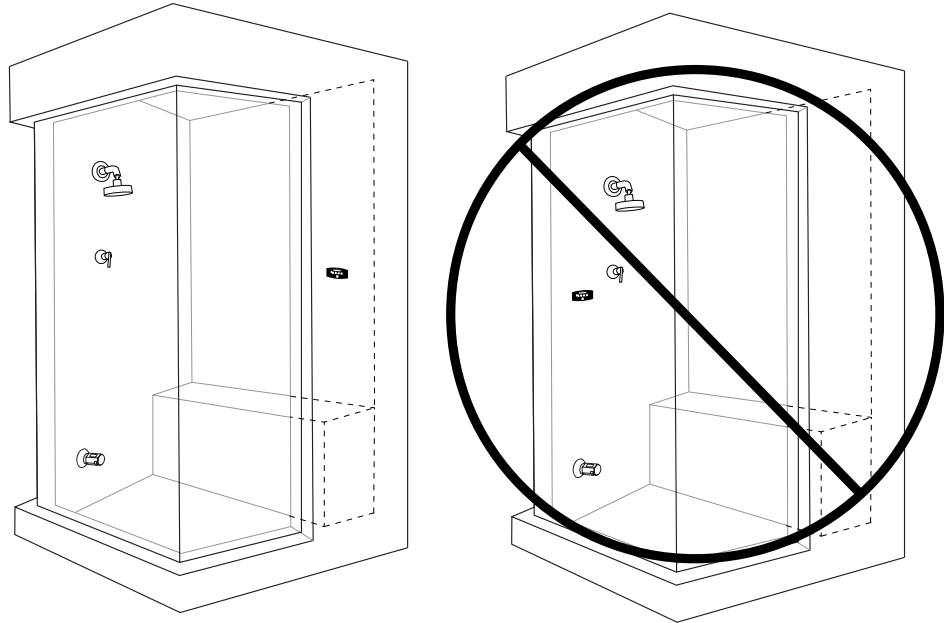
Steam Suite Control

INSTALLATION INSTRUCTIONS

1 Important Information before You Install

The Control must be installed inside the shower.

The control should be installed 60" from the floor of the shower and away from the steamhead.



PLEASE REVIEW WARNINGS BELOW AND LEAVE THIS MANUAL WITH HOMEOWNER

DO NOT USE THIS PRODUCT UNLESS YOU HAVE CONSULTED WITH YOUR DOCTOR AND RECEIVED WRITTEN PERMISSION TO DO SO. USE OF THIS PRODUCT MAY BE HAZARDOUS TO YOUR HEALTH.

PLEASE CONSULT YOUR PHYSICIAN BEFORE USING. IF YOU ARE PREGNANT, ELDERLY, HAVE HIGH BLOOD PRESSURE, DIABETES, SUFFERING FROM HEART DISEASE, ARE INTOXICATED, OR NOT IN GOOD HEALTH, DO NOT USE THIS STEAM BATH.

STEAM IS HOT! DO NOT TOUCH OR GO NEAR THE STEAMHEAD FROM THE TIME THE UNIT IS "ON," UP TO ONE HOUR AFTER IT HAS SHUT OFF. SEVERE BURNS WILL OCCUR IF YOU COME IN CONTACT WITH THE STEAMHEAD OR STEAM EMITTING FROM THE STEAMHEAD.

NEVER ATTEMPT TO FILL AROMA RESERVOIR ON THE STEAMHEAD WHEN UNIT IS IN THE "ON" POSITION. SEVERE BURNS WILL OCCUR.

DO NOT USE THERMASOL AROMATHERAPY OILS, SKIN CARE PRODUCTS OR ANY PRODUCT ASSOCIATED WITH YOUR THERMASOL UNIT WITHOUT CONSULTING WITH YOUR ALLERGIST OR DOCTOR BEFORE USE. THESE PRODUCTS MAY BE HAZARDOUS TO YOUR HEALTH.

DO NOT USE STEAM ROOM WHILE UNDER THE INFLUENCE OF ALCOHOL OR DRUGS, AS THIS CAN BE HAZARDOUS TO YOUR HEALTH.

YOUR SHOWER MAY BE A SLIP-AND-FALL HAZARD. CHECK WITH YOUR CONTRACTOR OR FLOORING MANUFACTURER REGARDING THE SAFE USE OF YOUR FLOORING IN A STEAM APPLICATION. SLIPPING AND FALLING INTO THE STEAMHEAD ITSELF OR INTO THE STREAM OF STEAM EMITTING FROM THE STEAMHEAD WILL CAUSE SERIOUS BURNS OR PHYSICAL INJURY.

IF YOU ARE FEELING UNCOMFORTABLE, DIZZY, FAINT, OR STARTING TO FALL ASLEEP, IMMEDIATELY EXIT THE STEAM ROOM.

DO NOT USE STEAM ROOM IF YOU ARE UNDER THE AGE OF 16 UNLESS SUPERVISED BY AN ADULT.

THERMASOL STEAM BATH GENERATORS ARE NOT DESIGNED TO BE USED FOR SPACE HEATING PURPOSES.

THERMASOL STEAM BATH GENERATORS ARE FOR INDOOR USE ONLY. THEY SHOULD NEVER BE LOCATED OUTSIDE THE HOME.

All products must be installed in accordance with installation instructions provided. Failure to do so may invalidate warranty at manufacturer's discretion.
©2018 ThermaSol.

2 Tools and Materials

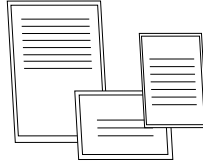
Parts enclosed



Controller



Silicone



Installation instructions, warranty,
static cling warning label



Control Coupler

Materials needed:

- Steam Suite control
- Silicone
- Other materials as required

Tools needed:

- 1-1/16" drill for surface mount
- Drill motor
- Other tools as required

3 Control Installation

Step 1: Position the control 4 to 6 feet from the floor inside the steam room. Drill one 1-1/16 inch hole in the wall.

Step 2: Bring the control wire from the generator through the 1-1/16 inch hole. Carefully connect the wire to the controls connector. DO NOT pinch, nail, wedge etc. the control cable. Any damage to the control cable will result in the control not working properly. If the control is not installed immediately, protect the end connectors with tape or some other kind of shielding material.

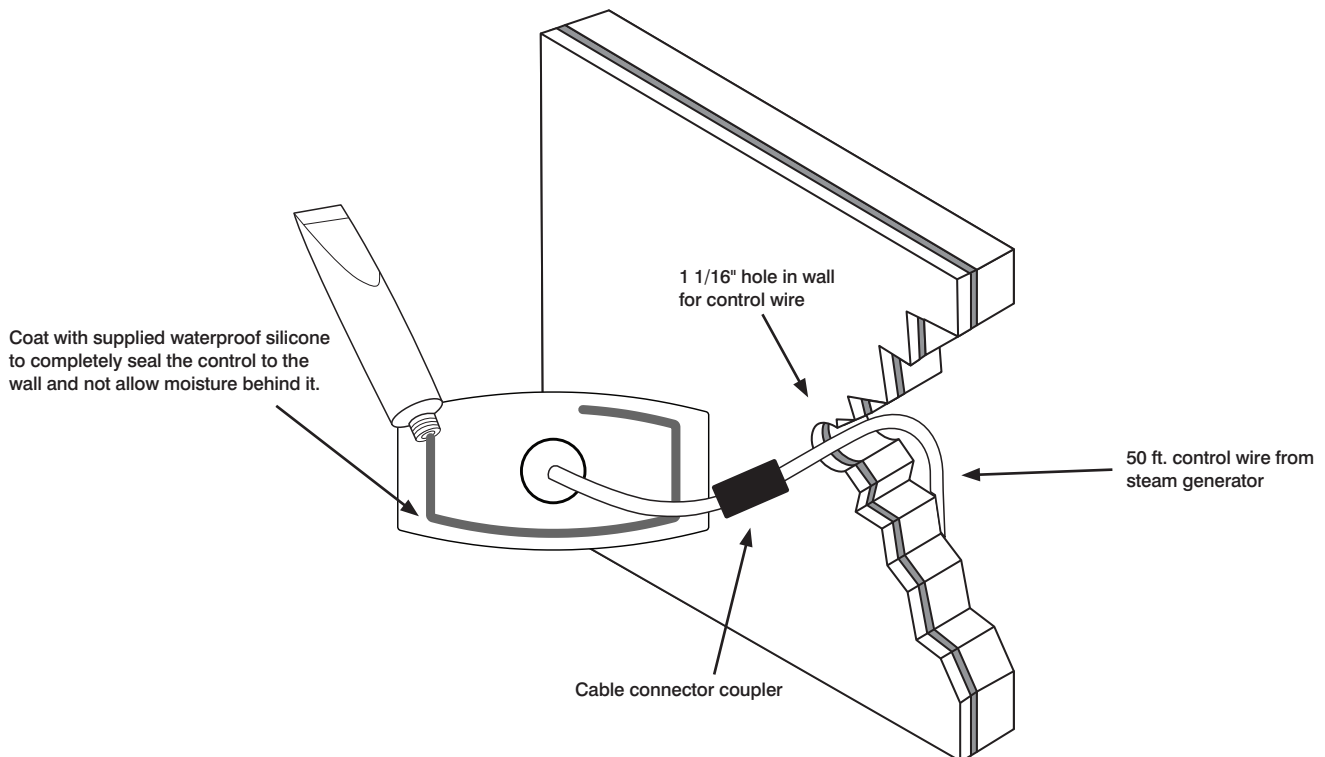
Step 3: Carefully connect the other end of the lead wire to the generator before turning power on to the generator

Step 4: Turn on both water and power to the generator.

Step 5: Test the control to ensure it is properly connected. If any technical problems arise, contact customer support.

Step 6: Coat the entire control back with supplied waterproof silicone. Completely seal the control to the wall so moisture does not get behind it. Place the control on the wall pressing firmly. You may need to tape the control into place until the silicone dries. Be careful not to harm the wall/control with the tape. Let dry for 24 hours before using steam bath.

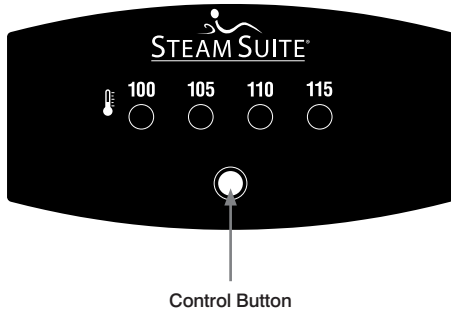
IMPORTANT: Fully test the control system prior to silicone. Failure to follow installation instructions specifically will cause the warranty to be void!



4 Operation

For More Operating Interactive Instructions please visit: www.thermasol.com/solutions

A

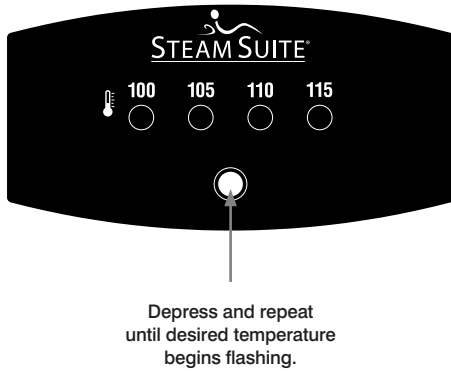


A

Starting Your Steam Bath

Press the "Control Button" momentarily to activate your steam bath session. Your control will come from the factory with a default setting of 45 minutes at 100°F (to change the temperature setting move to steps 2 and 3) once the button is pressed, red LED will appear indicating the temperature to be set.

B



B

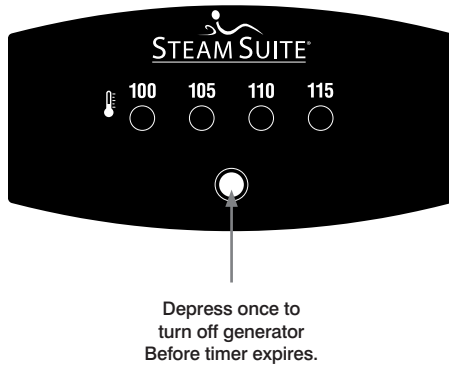
Changing Session Temperature

Turn on control; the red 100° LED will automatically start flashing. If this is the desired temperature, wait 4 seconds and that temperature will be accepted by the control and the generator will start. If a different temperature is desired, momentarily press the "Control Button". Repeat until the red LED associated with your desired temperature starts flashing. Once the desired temperature is flashing, wait 4 seconds and that temperature will be accepted by the control and the generator will start

4 Operation

For More Operating Interactive Instructions please visit: www.thermasol.com/solutions

C

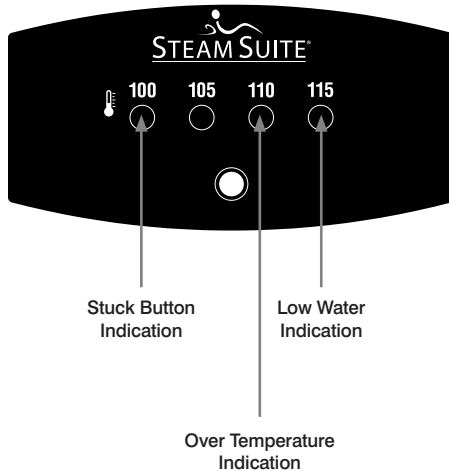


C

Manual Shut Off

To manually power off the generator before 45 minutes has expired, press the "Control Button" once. The LED's will go off and the generator will turn off

D



D

PowerFlush

to perform a system powerflush, from the on position. press and hold the control button for five seconds and release. the LED's will begin to cycle through all temperature settings.

Exit the shower immediately and allow the system to run the power flush cycle min. 45 minutes.

it is recommended to perform a powerflush once a month or more frequently if you have hard water in your area.

Warning:

FOR SAFETY, IT IS IMPORTANT THAT NO ONE IS INSIDE THE SHOWER ENCLOSURE DURING THE PRESSURE CLEAN CLEANING CYCLE. IT IS ALSO IMPORTANT THAT THE ENCLOSURE DOOR BE CLOSED DURING THIS CYCLE. SEVERE BURNS WILL OCCUR IF YOU COME IN CONTACT WITH THE STEAM HEAD, PURGING HOT WATER OR STEAM EMITTING FROM THE STEAM HEAD.



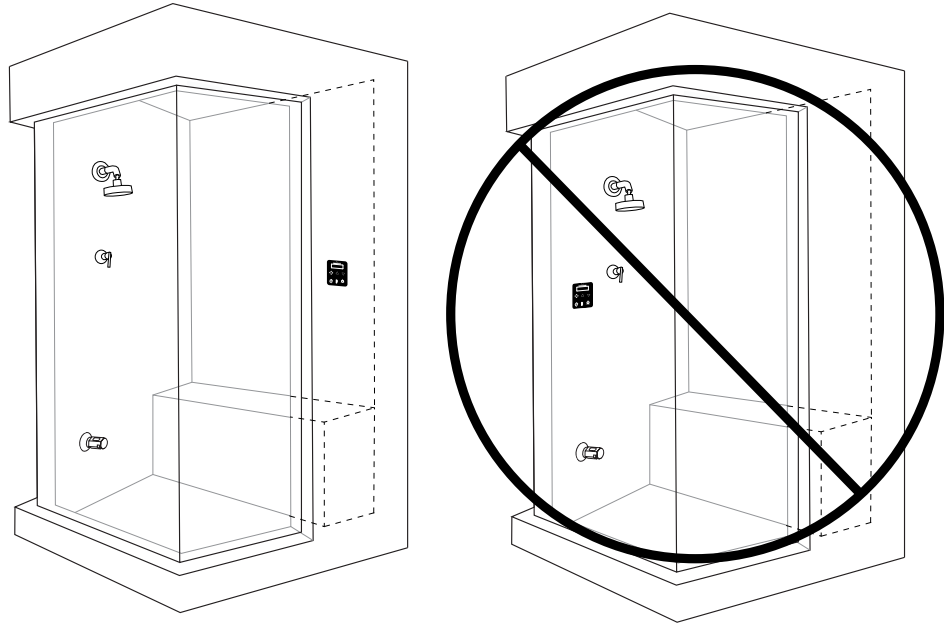
Steam Suite Control

INSTALLATION INSTRUCTIONS

1 Important Information before You Install

The Control must be installed inside the shower.

The control should be installed 60" from the floor of the shower and away from the steamhead.



PLEASE REVIEW WARNINGS BELOW AND LEAVE THIS MANUAL WITH HOMEOWNER

DO NOT USE THIS PRODUCT UNLESS YOU HAVE CONSULTED WITH YOUR DOCTOR AND RECEIVED WRITTEN PERMISSION TO DO SO. USE OF THIS PRODUCT MAY BE HAZARDOUS TO YOUR HEALTH.

PLEASE CONSULT YOUR PHYSICIAN BEFORE USING. IF YOU ARE PREGNANT, ELDERLY, HAVE HIGH BLOOD PRESSURE, DIABETES, SUFFERING FROM HEART DISEASE, ARE INTOXICATED, OR NOT IN GOOD HEALTH, DO NOT USE THIS STEAM BATH.

STEAM IS HOT! DO NOT TOUCH OR GO NEAR THE STEAMHEAD FROM THE TIME THE UNIT IS "ON," UP TO ONE HOUR AFTER IT HAS SHUT OFF. SEVERE BURNS WILL OCCUR IF YOU COME IN CONTACT WITH THE STEAMHEAD OR STEAM EMITTING FROM THE STEAMHEAD.

NEVER ATTEMPT TO FILL AROMA RESERVOIR ON THE STEAMHEAD WHEN UNIT IS IN THE "ON" POSITION. SEVERE BURNS WILL OCCUR.

DO NOT USE THERMASOL AROMATHERAPY OILS, SKIN CARE PRODUCTS OR ANY PRODUCT ASSOCIATED WITH YOUR THERMASOL UNIT WITHOUT CONSULTING WITH YOUR ALLERGIST OR DOCTOR BEFORE USE. THESE PRODUCTS MAY BE HAZARDOUS TO YOUR HEALTH.

DO NOT USE STEAM ROOM WHILE UNDER THE INFLUENCE OF ALCOHOL OR DRUGS, AS THIS CAN BE HAZARDOUS TO YOUR HEALTH.

YOUR SHOWER MAY BE A SLIP-AND-FALL HAZARD. CHECK WITH YOUR CONTRACTOR OR FLOORING MANUFACTURER REGARDING THE SAFE USE OF YOUR FLOORING IN A STEAM APPLICATION. SLIPPING AND FALLING INTO THE STEAMHEAD ITSELF OR INTO THE STREAM OF STEAM EMITTING FROM THE STEAMHEAD WILL CAUSE SERIOUS BURNS OR PHYSICAL INJURY.

IF YOU ARE FEELING UNCOMFORTABLE, DIZZY, FAINT, OR STARTING TO FALL ASLEEP, IMMEDIATELY EXIT THE STEAM ROOM.

DO NOT USE STEAM ROOM IF YOU ARE UNDER THE AGE OF 16 UNLESS SUPERVISED BY AN ADULT.

THERMASOL STEAM BATH GENERATORS ARE NOT DESIGNED TO BE USED FOR SPACE HEATING PURPOSES.

THERMASOL STEAM BATH GENERATORS ARE FOR INDOOR USE ONLY. THEY SHOULD NEVER BE LOCATED OUTSIDE THE HOME.

All products must be installed in accordance with installation instructions provided. Failure to do so may invalidate warranty at manufacturer's discretion.
©2018 ThermaSol.

2 Tools and Materials

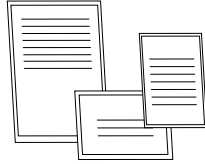
Parts enclosed



Controller



Silicone



Installation instructions, warranty,
static cling warning label



Control Coupler

Materials needed:

- Steam Suite control
- Silicone
- Other materials as required

Tools needed:

- 1-1/16" drill for surface mount 1
- Drill motor
- Other tools as required

3 Control Installation

Step 1: Position the control 4 to 6 feet from the floor inside the steam room. Drill one 1-1/16 inch hole in the wall.

Step 2: Bring the control wire from the generator through the 1-1/16 inch hole. Carefully connect the wire to the controls connector. DO NOT pinch, nail, wedge etc. the control cable. Any damage to the control cable will result in the control not working properly. If the control is not installed immediately, protect the end connectors with tape or some other kind of shielding material.

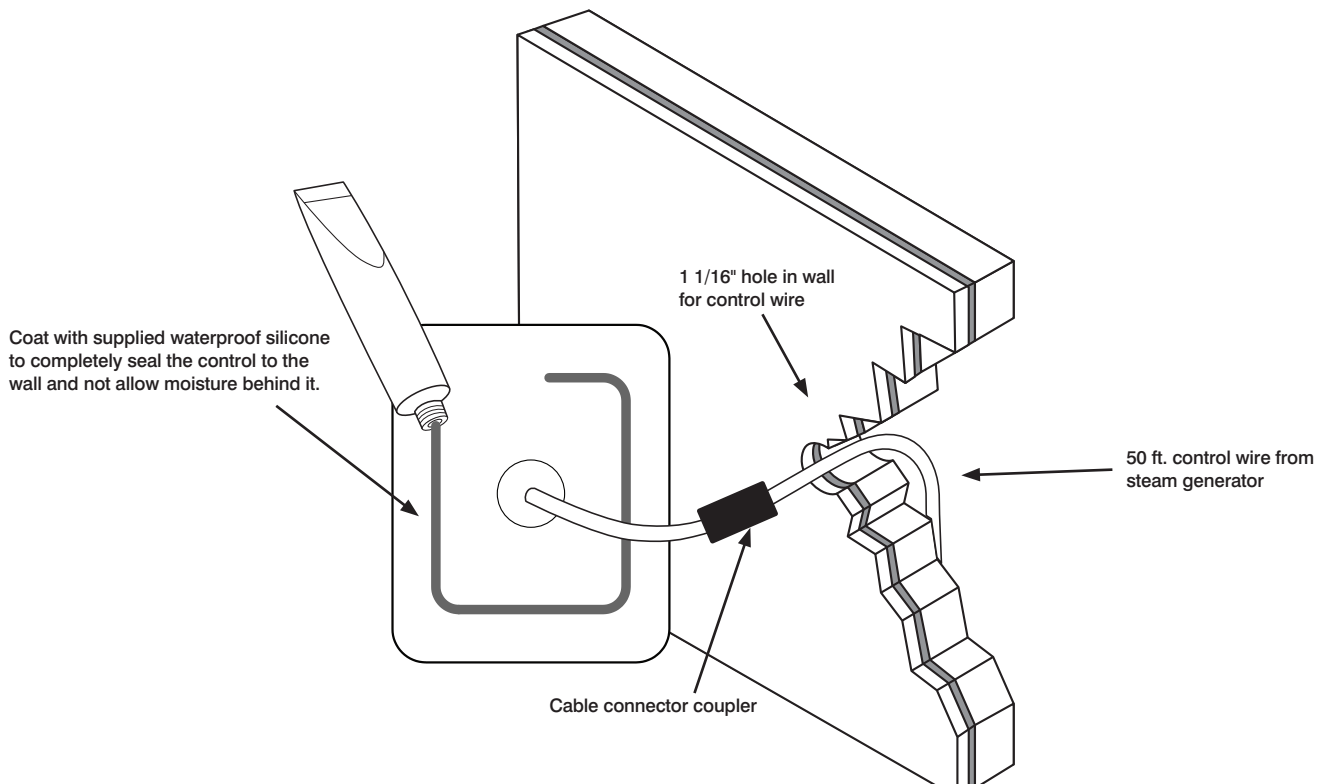
Step 3: Carefully connect the other end of the lead wire to the generator before turning power on to the generator

Step 4: Turn on both water and power to the generator.

Step 5: Test the control to ensure it is properly connected. If any technical problems arise, contact customer support.

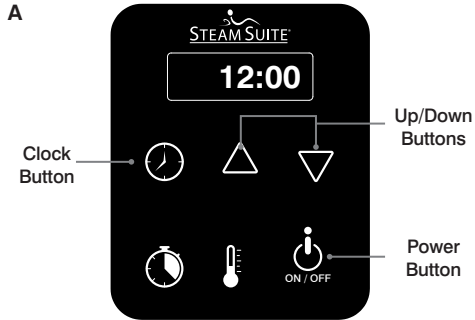
Step 6: Coat the entire control back with supplied waterproof silicone. Completely seal the control to the wall so moisture does not get behind it. Place the control on the wall pressing firmly. You may need to tape the control into place until the silicone dries. Be careful not to harm the wall/control with the tape. Let dry for 24 hours before using steam bath.

IMPORTANT: Fully test the control system prior to silicone. Failure to follow installation instructions specifically will cause the warranty to be void!

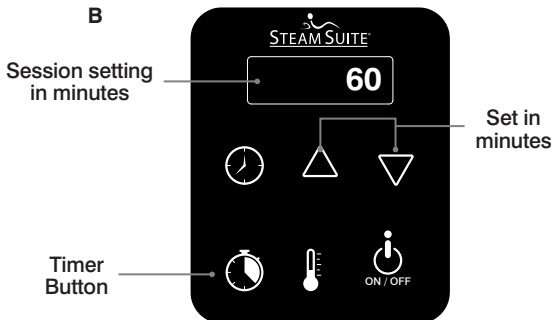


4 Operation

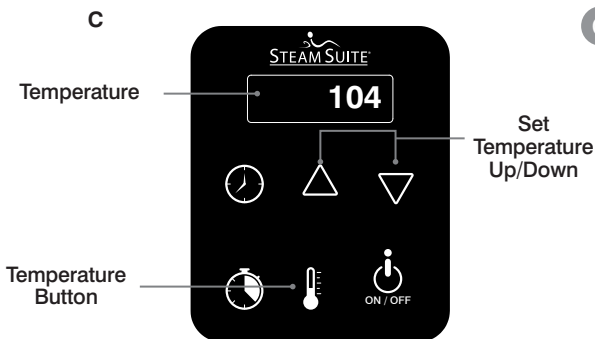
For More Operating Interactive Instructions please visit: www.thermasol.com/solutions



- A To set the clock time**
Turn the control on by pressing the power button. In the display you will see "ON". Press and release the clock button, the time will display and flash. Use the up/down buttons to adjust the time to the current time of day. After 4 seconds of no button pushes the time will be stored as time of day and control display will begin to display current room temp. Press the power button again to turn control off.



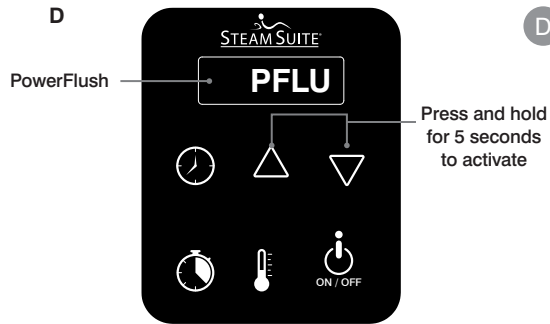
- B To set the length of the steam shower session**
Turn control on by pressing the power button, then press the timer button. The display will show the remaining session. Using the up/down arrows set the session time to your desired length. After 4 seconds of no button pushes, the new time setting will be set and stored for your next steambath session.



- C To set the temperature**
turn control on by pressing the power button, then press the temperature button. The display will flash showing the current set point for the temperature. Using the up and down buttons adjust the temperature to your preferred setting. After 4 seconds of no button pushes the new temperature setting will be set, begin counting down and stored for the next steam bath session, then the current room temperature will display on the control. To change between Fahrenheit and Centigrade, press the temperature button, the display will flash, then press and HOLD the temperature button for 6 seconds and release. The display will change from F to C or vice versa.

4 Operation

For More Operating Interactive Instructions please visit: www.thermasol.com/solutions



D PowerFlush
Press and hold the timer, up, and down buttons for 5 seconds to run the power clean cycle, then release PFLU should appear on display, PowerFlush will begin in three minutes and the complete cycle will last 45 minutes and will display PFLU on the control. ELECTRONIC PowerFlush session is 45 minutes.

Warning:

FOR SAFETY, IT IS IMPORTANT THAT NO ONE IS INSIDE THE SHOWER ENCLOSURE DURING THE-PRESSURE CLEAN CLEANING CYCLE. IT IS ALSO IMPORTANT THAT THE ENCLOSURE DOOR BE CLOSED DURING THIS CYCLE. SEVERE BURNS WILL OCCUR IF YOU COME IN CONTACT WITH THE STEAM HEAD, PURGING HOT WATER OR STEAM EMITTING FROM THE STEAM HEAD.



1958 STEAM WAY ROUND ROCK, TX 78665
PHONE: 800.776.0711 | FAX: 800.556.5257 | WWW.THERMASOL.COM