



**Submittal Data Sheets  
for ECM  
Variable Speed Pumps**

AM55 Pages 2

AM99 Pages 3



**AquaMotionSmart™ Einstein Series™  
ECM Circulator**

**Wet-rotor,  
maintenance free,  
fixed and variable  
Speed ECM  
Circulators**  
  
**AM55-FVL  
AM55-SFVL**

<b>Submittal Data Sheet SD103</b>	<b>EFFECTIVE 12/17/15</b>
---	-------------------------------

**SUBMITTAL DATA APPROVAL**

For: \_\_\_\_\_  
 Job: \_\_\_\_\_  
 Date Submitted: \_\_\_\_\_ By: \_\_\_\_\_  
 Date Approved: \_\_\_\_\_ By: \_\_\_\_\_  
 Model Number: \_\_\_\_\_ Quantity: \_\_\_\_\_  
 Model Number: \_\_\_\_\_ Quantity: \_\_\_\_\_  
 Model Number: \_\_\_\_\_ Quantity: \_\_\_\_\_  
 Model Number: \_\_\_\_\_ Quantity: \_\_\_\_\_



US DESIGN • US BUILT

**Materials of Construction**

- Shaft, Radial Bearings.....Aluminum Oxide Ceramic
- Motor housing .....Aluminum
- Impeller.....Composite
- Pump housing (closed systems).....Cast Iron
- Pump housing (open systems), wear ring, bearing support, cartridge sleeve, rotor sleeve.....Stainless Steel
- Gaskets.....EP(Ethylene Propylene Rubber)

**Specifications**

- Maximum Shut-off Head: 21 feet
- Maximum Flow: 20 gpm
- Maximum Operating Pressure: 145 psi (10 bar)
- Maximum Water Temp: 230°F (110°C)
- Minimum Water Temp: 40°F (5°C)
- Electrical specifications:
  - Voltage: 120V, 60 Hz Single phase
  - AMP Rating: 0.07 - 0.57A
  - Operating Power: 5W - 38W

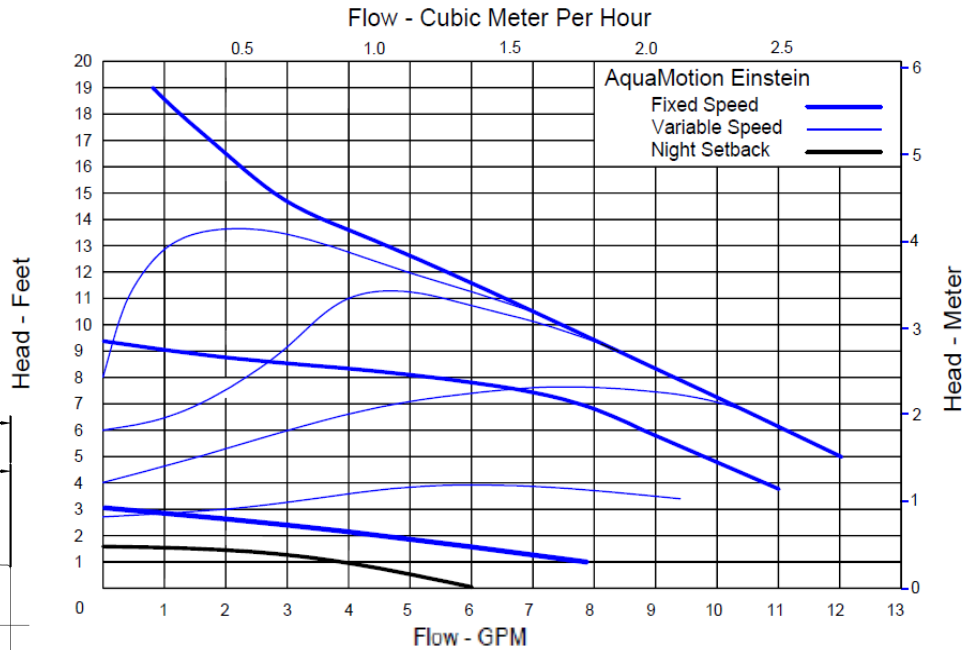
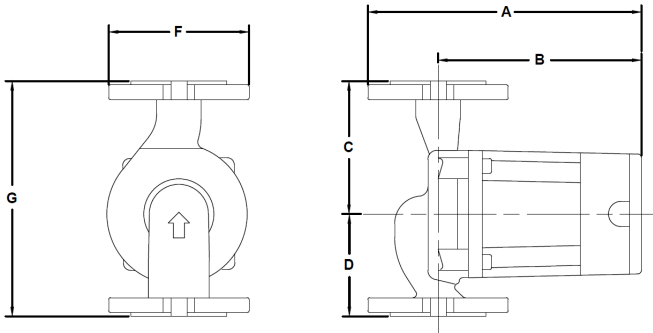
**Electrical Data**

Model	Volts	Watts	Amps	Flanges
AM55-FVL	120	5-38	.07-.57	4 bolt
AM55-SFVL	120	5-38	.07-.57	4 bolt

**Performance Data**

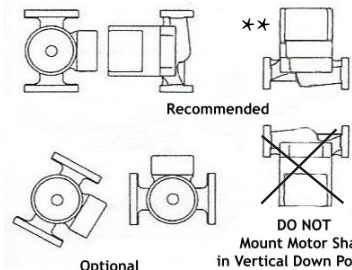
Model	Head Range	Flow Range
AM55-FVL	0-21FT	0-20GPM
AM55-SFVL	0-21FT	0-20GPM

**AM55 - FVL Dimensions**



Model	A		B		C		D		F		G		Ship Wt.	
	in.	mm	in.	mm	in.	mm	in.	mm	in.	mm	in.	mm	Lbs.	Kg
AM55-FVL, AM55-SFVL	7-1/4	184	5-1/2	140	3-1/2	89	2-3/4	70	3-7/8	98	6-1/4	156	6.6	3.0

**Mounting Positions**



\*\*When the circulator is mounted in this position the system pressure must be 12 psi or more.

**For Indoor Use Only**



**AquaMotionSmart™ Newton Series™  
ECM Circulator**

**Wet-rotor,  
maintenance free,  
fixed and variable  
Speed ECM  
Circulators**  
**AM99-FL**  
**AM99-FVL**

<b>Submittal Data Sheet SD104</b>	<b>EFFECTIVE 1/13/16</b>
---	------------------------------

**SUBMITTAL DATA APPROVAL**

For: \_\_\_\_\_  
 Job: \_\_\_\_\_  
 Date Submitted: \_\_\_\_\_ By: \_\_\_\_\_  
 Date Approved: \_\_\_\_\_ By: \_\_\_\_\_  
 Model Number: \_\_\_\_\_ Quantity: \_\_\_\_\_  
 Model Number: \_\_\_\_\_ Quantity: \_\_\_\_\_  
 Model Number: \_\_\_\_\_ Quantity: \_\_\_\_\_  
 Model Number: \_\_\_\_\_ Quantity: \_\_\_\_\_

 **US DESIGN • US BUILT**

**Materials of Construction**

- Shaft, Radial Bearings.....Aluminum Oxide Ceramic
- Motor housing .....Aluminum
- Impeller.....Composite
- Pump housing (closed systems).....Cast Iron
- Wear ring, bearing support  
cartridge sleeve, rotor sleeve.....Stainless Steel
- Gaskets.....Ethylene Propylene Rubber

**Electrical Data**

Model	Volts	Watts	Amps	Flanges
AM99-FL	230	5-127	.02-.55	2 bolt
AM99-FVL	230	5-127	.02-.55	2 bolt

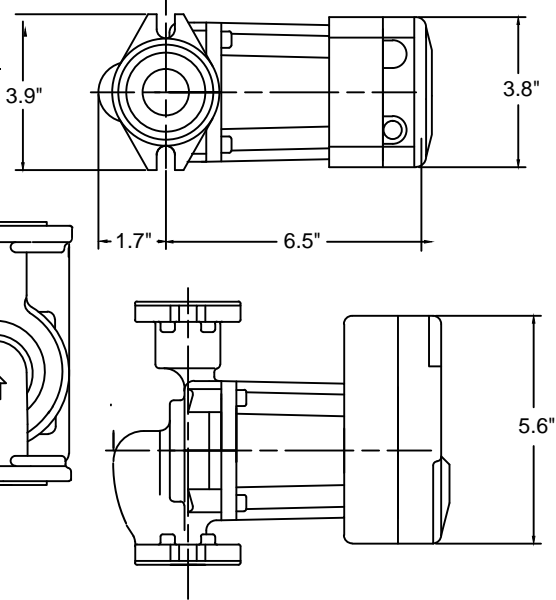
**Performance Data**

Model	Head Range	Flow Range
AM99-FL	0-40FT	0-42GPM
AM99-FVL	0-40FT	0-42GPM

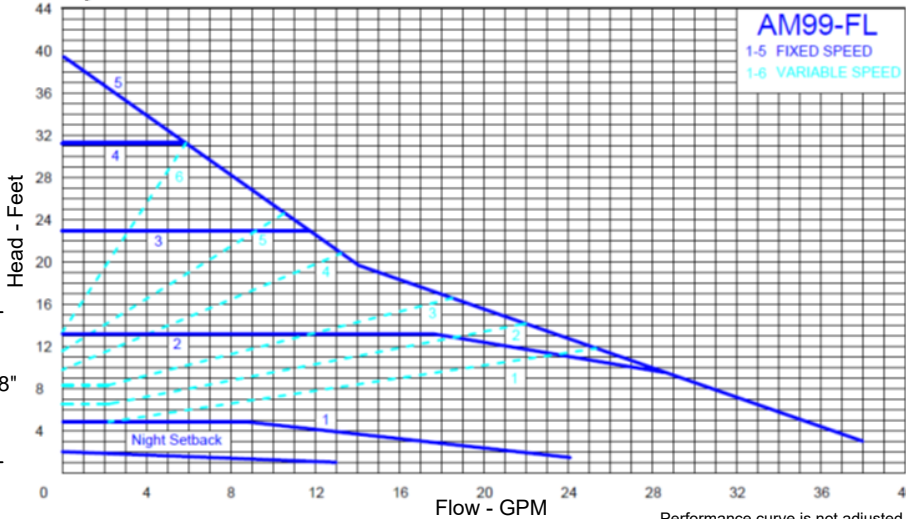
**Specifications**

- Maximum Shut-off Head: 40 feet
- Maximum Flow: 42 gpm
- Maximum Operating Pressure: 145 psi (10 bar)
- Maximum Water Temp: 230°F (110°C)
- Minimum Water Temp: 40°F (5°C)
- Electrical specifications:
  - Voltage: 230V, 60 Hz Single phase
  - AMP Rating: 0.02 - 0.55A
  - Operating Power: 5W - 127W

**AM99  
Dimensions**

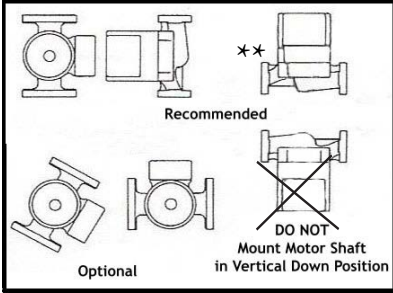


**AquaMotion AM99-FL**



Performance curve is not adjusted for AM99-FVL (with check valve)

**Mounting Positions**



\*\*When the circulator is mounted in this position the system pressure must be 12 psi or more.

Ship Wt.	
Lbs.	Kg
7.5	3.4

**For Indoor Use Only**