

Explore™ Single Handle Kitchen Faucet Model LK9405

FEATURES

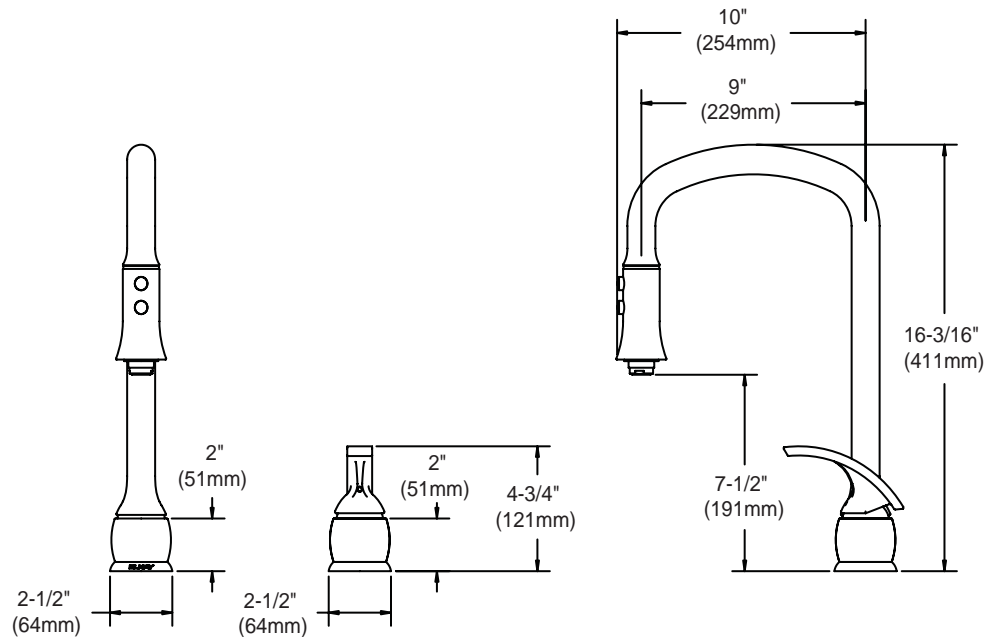
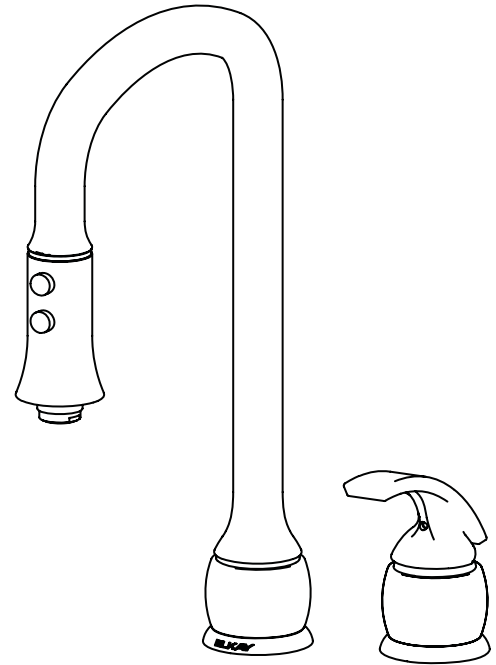
- Two hole top mount installation
 - Two 1-1/2" (38mm) faucet holes required
 - Maximum countertop thickness 1-3/4" (44mm)
- Single-lever faucet with pull-down spray
- 360° swing spout
- Ceramic disc cartridge
- Solid brass construction
- Flexible braided stainless steel supply hoses with 3/8" (10mm) male IPS adapters
- Available in the following finishes
 - Brushed nickel **LK9405NK**
 - Chrome **LK9405CR**
 - Oil rubbed bronze **LK9405RB**
 - Oil rubbed bronze with terra cotta color ring **LK9405RBC**
- Ship Wt. 12 lbs. (5.4Kg)
- Due to the weight of this faucet, Elkay recommends that it be installed to an 18" (457mm) gauge stainless steel sink (or heavier) or to a solid surface countertop
- Maximum flow rate
 - 2.5 GPM/9.5 L/min at 80 P.S.I.G.
 - 2.2 GPM/8.3 L/min at 60 P.S.I.G.

WARRANTY

- Limited Lifetime

COMPLIES WITH:

- ADA
- ANSI/NSF61 - Certified
- ASME 112.18.1/CSA B125.1 - Certified
- CA AB1953/VT S152



SEE OTHER SIDE FOR REPLACEMENT PARTS