

Fountains & Features

Disappearing Water Features

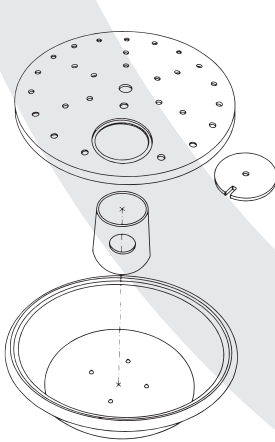


Basins & Vaults

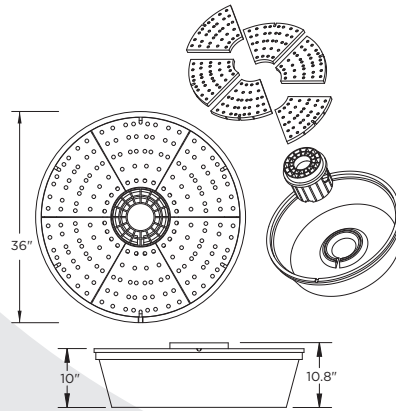
Little Giant heavy-duty disappearing water feature basins are perfect for in-ground installations. Our basins are ideal for smaller applications when you want the soothing sounds of water but are limited on space. Basins sit flush with the ground and the sectioned access plates make maintenance a breeze. Cover your basin with a wide variety of rocks or pottery (not included) for a disappearing water effect.



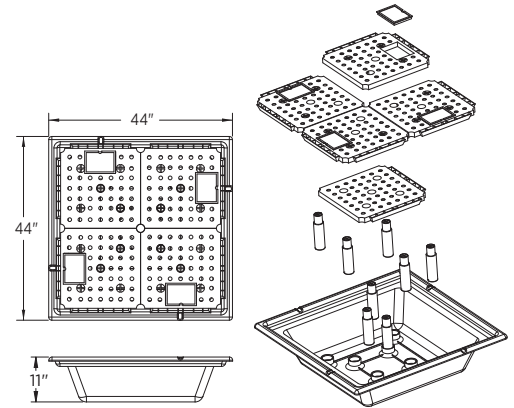
BASINS & VAULTS	Item No.	Dimensions	Advantages
DFB36	566517	36" W x 36" L x 10.8" H	Supports up to 2000 lbs
DFB36PP	566559	-	Pallet includes (5) 36" basins
DFB44	566558	44" W x 44" L x 11" H	Supports up to 3000 lbs
DFB44PP	566560	-	Pallet includes (5) 44" basins
DFB30	566599	30" W x 30" L x 10" H	Supports up to 500 lbs
SF	566410	19" W x 19" L x 22" H	Pump vault for easy pump access
FF4	566516	-	Fountain Support Feet 4 pk. For use with DFB36.



DFB30



DFB36



DFB44