

# Moen Accessories Technical Specification

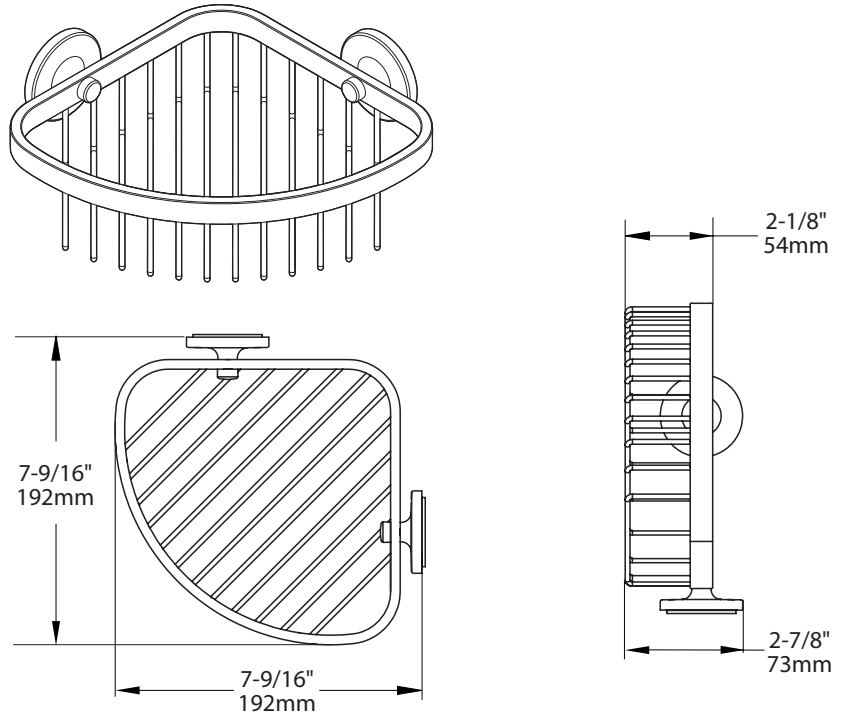
## Corner Shower Basket

# YB0275

### Stock Numbers:

- YB0275CH – Corner Shower Basket  
Chrome
- YB0275BN – Corner Shower Basket  
Brushed Nickel
- YB0275BL – Corner Shower Basket  
Matte Black

### Dimensions:



### Materials:

Corner Shower Basket are constructed of 304 stainless steel.

### Installation Instructions:

1. Place the partially assembled basket against the desired installation corner of the shower, and use the basket mounting brackets as a template to mark the drill holes on the wall.
2. Use a level to ensure basket placement is level.
3. Once basket is level, trace around mounting bracket with a pencil.
4. Carefully punch 2 holes through gasket to mark anchor placement.
5. Once the wall is marked, remove the basket to drill into the wall substrate.
6. Using the Allen Wrench, remove mounting brackets by removing screws.
7. Use a 1/4" size Drill bit to drill holes at each marked mounting location. (Use appropriate drill bit based on appropriate substrate surface.)
8. Push plastic anchor into holes.
9. Lightly tap anchors so that they are flush against wall.
10. Place mounting brackets on the anchors and install screws, one at a time.
11. Install covers and clear plastic bushings by placing them over mounting bracket.
12. Align Basket holes with the holes in the decorative cover.
13. Hand tighten screws on each side.
14. Re-check with level.
15. Further tighten using an Allen Wrench.
16. Snap decorative caps over the heads of the screws.

### Cleaning Instructions:

To preserve the fine finish of this product, clean only with a soft damp cloth. Dry well. Do not use commercial or abrasive cleaners.

**Stock Number:** \_\_\_\_\_ **Corner Shower Basket**  
By Moen Incorporated



Buy it for looks. Buy it for life.®

25300 AL MOEN DRIVE • NORTH OLMSTED, OH 44070  
CORPORATE HEADQUARTERS: (800) 321-8809 • FAX: (800) 848-6636  
INTERNATIONAL: (440) 962-2000 • FAX: (440) 962-2726  
CUSTOMER SERVICE (USA): 800-882-0116 • FAX: (888) 379-2720  
WWW.MOEN.COM

© 2016 Moen Incorporated. Moen is a registered trademark and Wynford is a trademark of Moen Incorporated. All rights reserved.