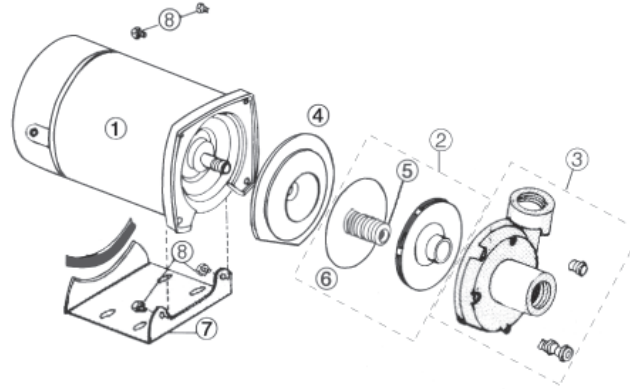


SUBMITTAL DATA SHEET

Pump Repair Parts

92000 / 93000 Series Repair Parts



Pipe plugs & pet cock (drain) are included with volute assemblies.

| 1 Repair Motor | | | 2 Impeller / Seal Kit | | 3 Volute Assembly | |
|----------------|---------|----------|-----------------------|----------|-------------------|----------|
| Pump Model | Model # | Part # | Model # | Part # | Model # | Part # |
| 92030 | 92050RM | 6712-258 | 92050RK | 6712-046 | 92100RV | 6712-262 |
| 92050 | 92050RM | 6712-258 | 92050RK | 6712-046 | 92100RV | 6712-262 |
| 92070 | 92070RM | 6712-257 | 92070RK | 6712-045 | 92100RV | 6712-262 |
| 92100 | 92100RM | 6712-256 | 92100RK | 6712-044 | 92100RV | 6712-262 |
| 92150 | 92150RM | 6712-255 | 92150RK | 6712-043 | 92100RV | 6712-262 |
| 92200 | 92200RM | 6712-254 | 92200RK | 6712-042 | 92200RV | 6712-261 |
| 92250 | 92250RM | 6712-253 | 92250RK | 6712-041 | 92300RV | 6712-260 |
| 92300 | 92300RM | 6712-252 | 92300RK | 6712-040 | 92300RV | 6712-260 |

| Model # | Part # | Ref # | Description |
|---------|----------|-------|-----------------------|
| 92000SP | 6712-250 | 4 | Seal Plate |
| 92000RS | 6712-268 | 5 | Rotary seal |
| 92000RO | 6712-267 | 6 | O-ring for seal plate |
| 92000MB | 6712-251 | 7 | Mounting base |
| --- | 3100-565 | 8 | Hex cap screws |

NO-LEAD: The weighted average of the wetted surface of this no-lead product contacted by consumable water contains less than one quarter of one percent (0.25%) lead.



A.Y. McDonald Mfg. Co.
P.O. Box 508
Dubuque, IA 52004-0508

Toll Free: 1-800-292-2737
Fax: 1-800-832-9296
Hours: 7:00 a.m. - 5:00 p.m., CST

sales@aymcdonald.com
www.aymcdonald.com

A.Y. McDonald considers the information on this assembly drawing correct when published. Item and option availability, including specifications, are subject to change without notice.

Submitted by: