

**Rigidbilt® Double Compartment Scullery Sink**  
**1<sup>3</sup>/<sub>4</sub>" (44mm) Radius Coved**  
**Corner Construction**



**SPECIFICATIONS**

**GENERAL**

Model RNSF \_\_\_\_\_ #16 gauge, type 304, stainless steel scullery sink. Large die-drawn compartments 18" (457mm) x 24" (610mm) x 13-1/2" (343mm) deep. Seamless drawn 1-3/4" (44mm) radius coved corner construction. Full length 8" (203mm) high backsplash with 45° sloped top. 1-1/2" (38mm) wide inward sloping top channel rims. Steel channel reinforced drainboards have a fan-shaped pitch for drainage. Compartments with center outlets pitched to drain. Underside of drainboards and compartments are undercoated to provide a sound and condensation barrier. All exposed surfaces polished to a satin finish. Rigidbilt sinks carry the NSF International Certification.

Sinks supported on (4) LK251 stainless steel, 1-5/8" (41mm) O.D. tubular legs. #16 gauge wall thickness. Adjustable bullet shaped feet.

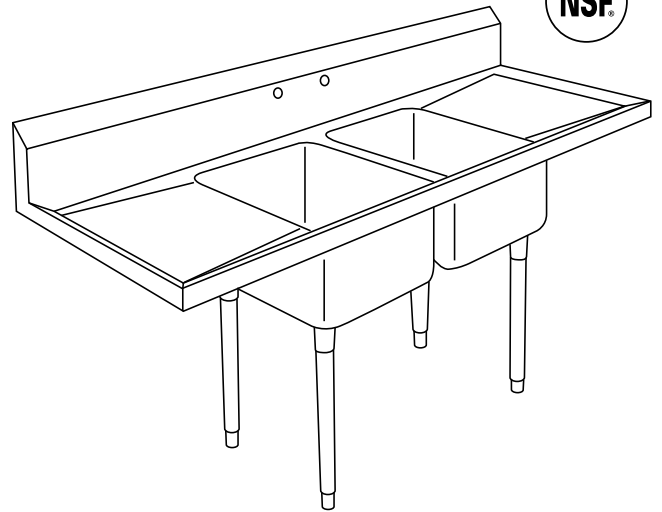
**FURNISHED WITH:**

SUPPORT LEGS: LK251. (Four) Stainless steel tubular legs, 1-5/8" (41mm) O.D. Adjustable bullet feet.

**SPECIFIED FITTINGS:**

SUPPLY:

DRAIN:



Model RNSF8238LR2  
 (Faucet Drillings and Location as Illustrated)

(CHECK MODEL SPECIFIED):

Model Number	A		B		C	
	in	mm	in	mm	in	mm
RNSF8238	44	1118	18	457	N/A	N/A
RNSF8238L	60 <sup>1</sup> / <sub>4</sub>	1530	18	457	19 <sup>1</sup> / <sub>2</sub>	495
RNSF8238R	60 <sup>1</sup> / <sub>4</sub>	1530	18	457	19 <sup>1</sup> / <sub>2</sub>	495
RNSF8238LR	77 <sup>1</sup> / <sub>4</sub>	1962	18	457	19 <sup>1</sup> / <sub>2</sub>	495

Available only in sizes shown above.

Shaded area is model carried in stock with standard faucet location.

