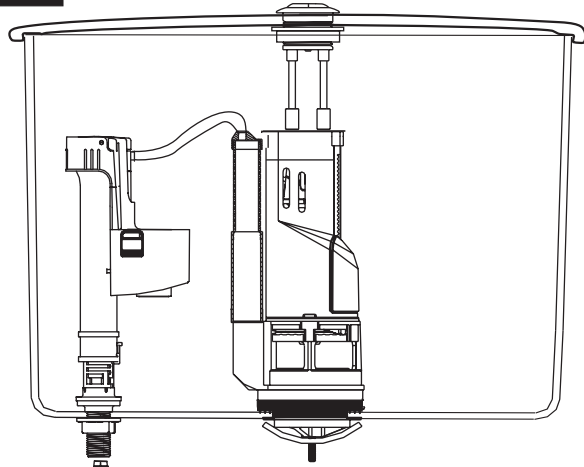


Installation Manual of Tank Fitting

Please give the manual to the end user. Please read the manual thoroughly before using it.

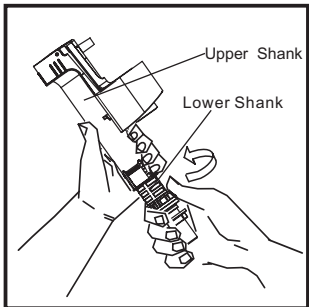
General Drawing



Connect Water supply Tube

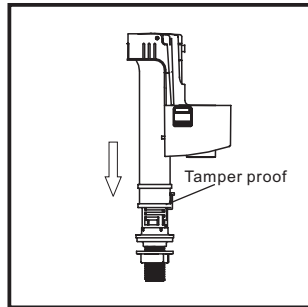
The Installation Manual

1. The Installation of Fill Valve

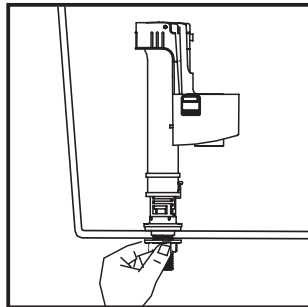


1) Adjust Height of Fill Valve:

To adjust height, push the Tamper proof up, turn the upper shank clockwise to unlock teeth from lower shank. Next, adjust the height by pulling up or down on upper shank to set at desired height.

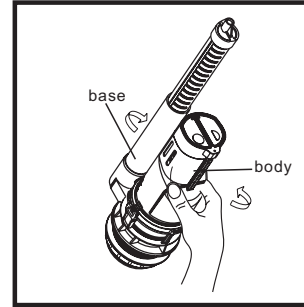


2) After adjusting height of Fill valve, rotate the upper shank counter clockwise to lock into lower shank. Next, push down On Tamper proof to secure it.

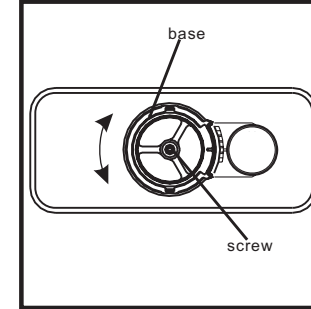


3) **installing Fill Valve:** To install into tank, remove locknut and slide Fill Valve into the hole in tank. Next, position Fill valve to desired position and tighten the locknut.
(DO NOT OVER TIGHTEN)
(Torque <math>< 2.2 \text{ LB-FT}</math>)

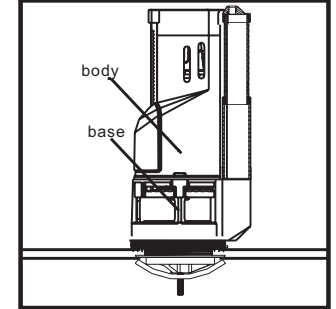
2.The installation of Outlet Valve



Rotate the flush valve body separate the body from base as shown in the Fig.

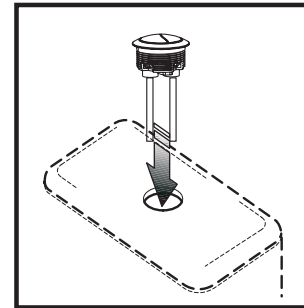


Install the flush valve base into the outlet to make the "U" clasp can clip on the tank properly. Rotate the base to choose proper angle and lock the screw.

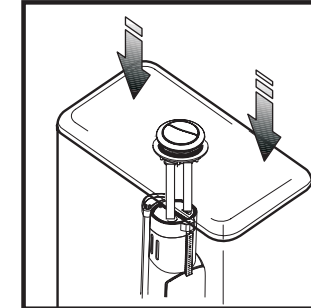


Install the flush valve body on the base again, rotate it to a proper position and lock.

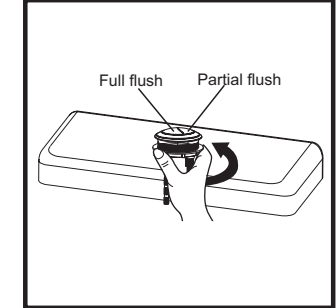
3.Push button installation



Cut the adjustment rod to a proper length, put the push button into the hole.



Adjust the direction of the push button. Be sure the full flush Button toward the full flush Touch piece.



Tighten the nut.

WARNING: Do not use in-tank type bowl cleaners in your toilet. In-tank cleaners containing chlorine or bleach can seriously damage the internal components of your toilet causing leaks and flooding. We will not be responsible for any damage that is caused by the use of in-tank cleaners in your toilet.

Attention: If the product is different from the drawing , Please take the object as right.