

# Submittal Data Information

## Cast Iron and Stainless Steel *freedom* Flanges®

At last, freedom from scraped knuckles and jury-rigged tools. Taco's new flanges give you lots of ways to make quick work of your installation:

- Fits All 00® circulators
- Easy-On, Easy-Off with a common Adjustable Wrench
- Available in:
  - Cast Iron, 3/4" - 2"
  - Bronze Threaded, 3/4" - 2"
  - Bronze Sweat, 1/2" - 1-1/2"
  - Stainless Steel, 3/4" - 2"



### Cast Iron *freedom* Flanges®

Cast Iron Freedom Flange® Sets (005 thru 0011, 0013, 0014, 110-113, 1400-10, 1400-20, 1400-45, 1400-50)

Figure	Product #	Size A	B	C	D	E	F	G	H
A	110-251F	3/4" NPT	2-3/4"	1-3/8"	4-1/8"	2-1/16"	1"	3/8"	3-1/8"
A	110-252F	1" NPT	2-3/4"	1-3/8"	4-1/8"	2-1/16"	1"	3/8"	3-1/8"
A	110-253F	1-1/4" NPT	2-3/4"	1-3/8"	4-1/8"	2-1/16"	1"	3/8"	3-1/8"
A	110-254F	1-1/2" NPT	2-3/4"	1-3/8"	4-1/8"	2-1/16"	1"	3/8"	3-1/8"

Cast Iron Freedom Flange® Sets (0012/HV, 1400-30, 1400-40)

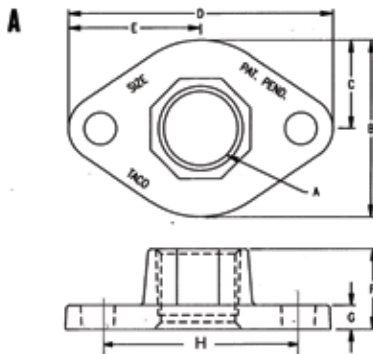
Figure	Product #	Size A	B	C	D	E	F	G	H
A	194-1540F	1-1/4" NPT	2-15/16"	1-15/32"	4-3/4"	2-3/8"	1-3/16"	9/16"	3-7/16"
A	194-1542F	1-1/2" NPT	2-15/16"	1-15/32"	4-3/4"	2-3/8"	1-3/16"	9/16"	3-7/16"

\* 1-1/2" Flange set included in each 0012-F4 box.

Cast Iron Freedom Flange® Sets (0012/2", 1400-50/2)

Figure	Product #	Size A	B	C	D	E	F	G	H
A	194-1543F	1-1/2" NPT	3-5/8"	1-13/16"	5-9/16"	2-25/32"	1-3/4"	9/16"	4-1/8"
A	194-2124F	2" NPT	3-5/8"	1-13/16"	5-9/16"	2-25/32"	1-3/4"	9/16"	4-1/8"

\*\* 2" Flange set included in each 0012-F4-1 box.



### Stainless Steel *freedom* Flanges®

Stainless Steel Freedom Flange® Sets for (005, 007-0011, 0013, 0014, 110-113, 1400-10/20/45/50)

Figure	Product #	Size A	B	C	D	E	F	G	H
A	110-251SF	3/4" NPT	2-3/4"	1-3/8"	4-1/8"	2-1/16"	1"	7/32"	3-1/8"
A	110-252SF	1" NPT	2-3/4"	1-3/8"	4-1/8"	2-1/16"	1"	7/32"	3-1/8"
A	110-253SF	1-1/4" NPT	2-3/4"	1-3/8"	4-1/8"	2-1/16"	1"	7/32"	3-1/8"
A	110-254SF	1-1/2" NPT	2-3/4"	1-3/8"	4-1/8"	2-1/16"	1"	7/32"	3-1/8"

0012 Stainless Steel Freedom Flange® Sets for (0012/HV, 1400-30/40)\*\*

Figure	Product #	Size A	B	C	D	E	F	G	H
A	194-1540SF	1-1/4" NPT	2-15/16"	1-15/32"	4-3/4"	2-3/8"	1"	7/32"	3-7/16"
A	194-1542SF	1-1/2" NPT	2-15/16"	1-15/32"	4-3/4"	2-3/8"	1"	7/32"	3-7/16"

\*\*\* 1-1/2" Flange set included in each 0012-SF4 box.

0012 Stainless Steel Freedom Flange® Sets (0012/2", 1400-50/2)\*\*\*\*

Figure	Product #	Size A	B	C	D	E	F	G	H
A	194-2124SF	2" NPT	3-5/8"	1-13/16"	5-9/16"	2-25/32"	1"	7/32"	4-1/8"

\*\*\*\* 2" Flange set included in each 0012-SF4-1 box.

