



Submittal Data Information

100-069

Freedom Flanges®

Effective: July 22, 2008

Supersedes: April 1, 2003

Job: _____ Engineer: _____ Contractor: _____ Rep: _____

ITEM NO.	MODEL NO.	

At last, freedom from scraped knuckles and jury-rigged tools. Taco's new flanges give you lots of ways to make quick work of your installation:

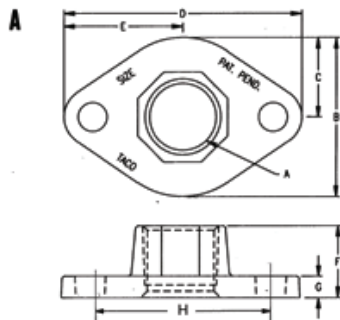
- Fits All 00® circulators
- Easy-On, Easy-Off with a common Adjustable Wrench
- Available in:
 - Cast Iron, 3/4" - 2"
 - Bronze Threaded, 3/4" - 2"
 - Bronze Sweat, 1/2" - 1-1/2"
 - Stainless Steel, 3/4" - 2"



Cast Iron freedom Flanges®

Cast Iron Freedom Flange® Sets (005 thru 0011, 0013, 0014, 110-113, 1400-10, 1400-20, 1400-45, 1400-50)

Figure	Product #	Size A	B	C	D	E	F	G	H
A	110-251F	3/4" NPT	2-3/4"	1-3/8"	4-1/8"	2-1/16"	1"	3/8"	3-1/8"
A	110-252F	1" NPT	2-3/4"	1-3/8"	4-1/8"	2-1/16"	1"	3/8"	3-1/8"
A	110-253F	1-1/4" NPT	2-3/4"	1-3/8"	4-1/8"	2-1/16"	1"	3/8"	3-1/8"
A	110-254F	1-1/2" NPT	2-3/4"	1-3/8"	4-1/8"	2-1/16"	1"	3/8"	3-1/8"



Cast Iron Freedom Flange® Sets (0012/HV, 1400-30, 1400-40)

Figure	Product #	Size A	B	C	D	E	F	G	H
A	194-1540F	1-1/4" NPT	2-15/16"	1-15/32"	4-3/4"	2-3/8"	1-3/16"	9/16"	3-7/16"
A	194-1542F	1-1/2" NPT	2-15/16"	1-15/32"	4-3/4"	2-3/8"	1-3/16"	9/16"	3-7/16"

* 1-1/2" Flange set included in each 0012-F4 box.

Cast Iron Freedom Flange® Sets (0012/2", 1400-50/2)

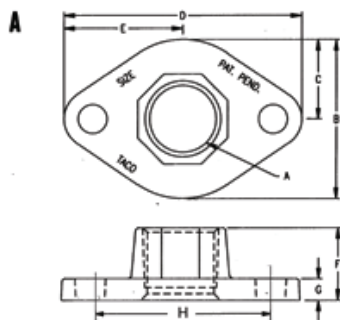
Figure	Product #	Size A	B	C	D	E	F	G	H
A	194-1543F	1-1/2" NPT	3-5/8"	1-13/16"	5-9/16"	2-25/32"	1-3/4"	9/16"	4-1/8"
A	194-2124F	2" NPT	3-5/8"	1-13/16"	5-9/16"	2-25/32"	1-3/4"	9/16"	4-1/8"

** 2" Flange set included in each 0012-F4-1 box.

Stainless Steel freedom Flanges®

Stainless Steel Freedom Flange® Sets for (005, 007-0011, 0013, 0014, 110-113, 1400-10/20/45/50)

Figure	Product #	Size A	B	C	D	E	F	G	H
A	110-251SF	3/4" NPT	2-3/4"	1-3/8"	4-1/8"	2-1/16"	1"	7/32"	3-1/8"
A	110-252SF	1" NPT	2-3/4"	1-3/8"	4-1/8"	2-1/16"	1"	7/32"	3-1/8"
A	110-253SF	1-1/4" NPT	2-3/4"	1-3/8"	4-1/8"	2-1/16"	1"	7/32"	3-1/8"
A	110-254SF	1-1/2" NPT	2-3/4"	1-3/8"	4-1/8"	2-1/16"	1"	7/32"	3-1/8"



0012 Stainless Steel Freedom Flange® Sets for (0012/HV, 1400-30/40)***

Figure	Product #	Size A	B	C	D	E	F	G	H
A	194-1540SF	1-1/4" NPT	2-15/16"	1-15/32"	4-3/4"	2-3/8"	1"	7/32"	3-7/16"
A	194-1542SF	1-1/2" NPT	2-15/16"	1-15/32"	4-3/4"	2-3/8"	1"	7/32"	3-7/16"

*** 1-1/2" Flange set included in each 0012-SF4 box.

0012 Stainless Steel Freedom Flange® Sets (0012/2", 1400-50/2)****

Figure	Product #	Size A	B	C	D	E	F	G	H
A	194-2124SF	2" NPT	3-5/8"	1-13/16"	5-9/16"	2-25/32"	1"	7/32"	4-1/8"

**** 2" Flange set included in each 0012-SF4-1 box.