



T186.508 Bath/Shower Trim Shown
 *WaterSense® approval pending

GENERAL DESCRIPTION:

SHOWERHEAD

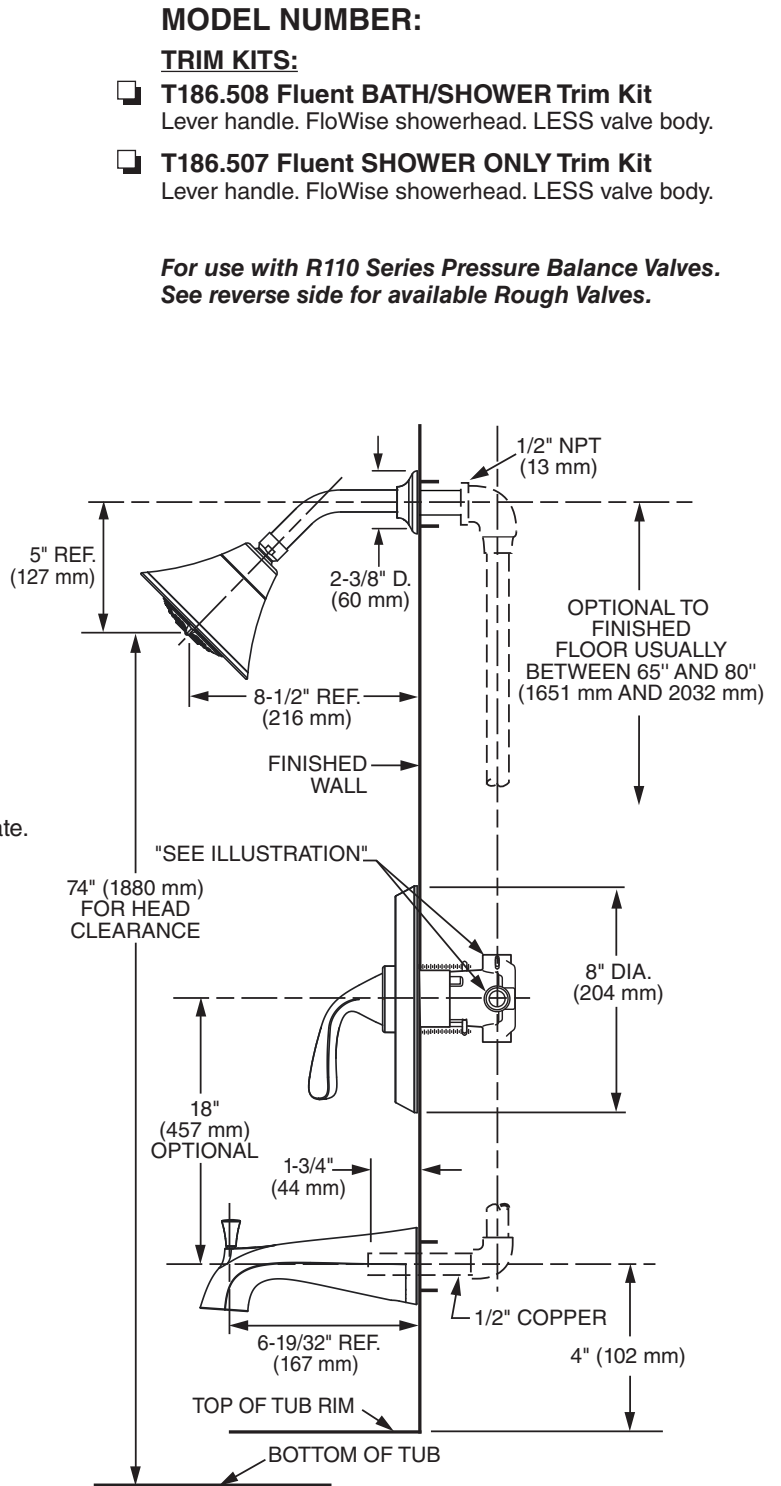
Water saving 3-function FloWise showerhead offers up to 40% water savings at maximum 2.0 gpm/7.6 L/min. flow rate.

WALL TUB SPOUT

Metal slip-on diverter spout.

WALL VALVE TRIM

Available with metal lever handle.
 Metal wall escutcheon.



SUGGESTED SPECIFICATION:

Bath/shower fitting shall feature water saving 3-function showerhead with Max. 2.0 gpm/7.6 L/min. flow rate. Fitting shall be: American Standard - Trim Kit Model # T186.50_ and Valve Body Model # R11_.

CODES AND STANDARDS

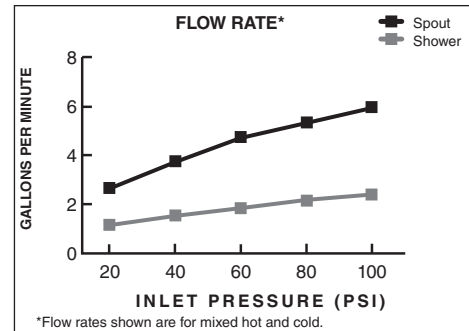
These products meet or exceed the following codes and standards:

- ANSI A 117.1
- ASSE 1016
- ASME A112.18.1
- CSA B 125.1



Modifications	Parts Suffix*
IPS Spout 	__IPT
Factory Installed Decal Ring (Red/Blue) 	__WD

*To modify a product, add suffix after the 4th digit (ex. T0641**TP**502.002)



TRIM KITS *	Product Number	Description	* TRIM & ROUGH MUST BE ORDERED SEPARATELY.		
			Finish Options		
			Polished Chrome	Oil Rubbed Bronze	PVD Satin Nickel
			002	224	295
T186.508	Bath/Shower trim kit. Lever handle. FloWise showerhead. LESS valve body.				
T186.507	Shower Only trim kit. Lever handle. FloWise showerhead. LESS valve body.				

ROUGH VALVE BODIES	Product Number	Description
	R111	Rough Valve Body less trim. Universal inlets/outlets.
	R111SS	Rough Valve Body less trim. Universal inlets/outlets with Screwdriver Stops.
	R110	Rough Valve Body less trim. Direct sweat inlets/outlets.
	R110SS	Rough Valve Body less trim. Direct sweat inlets/outlets with Screwdriver Stops.
	R115	Rough Valve Body less trim. Female Thread inlets/outlets.
	R115SS	Rough Valve Body less trim. Female Thread inlets/outlets with Screwdriver Stops.
	R117	Rough Valve Body less trim. PEX inlets/universal outlets for Crimp Ring PEX system (ASTM F1807).
	R117SS	Rough Valve Body less trim. PEX inlets/universal outlets for Crimp Ring PEX system (ASTM F1807) with Screwdriver Stops.
	R118	Rough Valve Body less trim. PEX inlets/universal outlets for Cold Expansion PEX system (ASTM F1960).
	R118SS	Rough Valve Body less trim. PEX inlets/universal outlets for Cold Expansion PEX system (ASTM F1960) with Screwdriver Stops.
	R119	Rough Valve Body less trim. CPVC inlets/universal outlets.
R119SS	Rough Valve Body less trim. CPVC inlets/universal outlets with Screwdriver Stops.	

Meets the American Disabilities Act Guidelines and **ANSI A117.1** Requirements for the physically challenged.