

BOXE® SEMI-COUNTERTOP SINK

- 0342.008** Faucet holes on 8" (203mm) centers (illustrated)
- 0342.001** Center hole only
 - Space saving design installs on a minimum countertop depth of 13"
 - Made from fireclay china
 - Rear overflow
 - Self rimming with sealant
 - Cutout template and mounting kit provided (Faucet shown not included)
- 8412.000.002** Towel Bar, Chrome (optional)



Nominal Dimensions:

19-3/4" x 17-3/4" (500 x 450mm) front to back

Bowl sizes:

15" (381mm) wide
10-1/2" (267mm) front to back
4-1/2" (114mm) deep

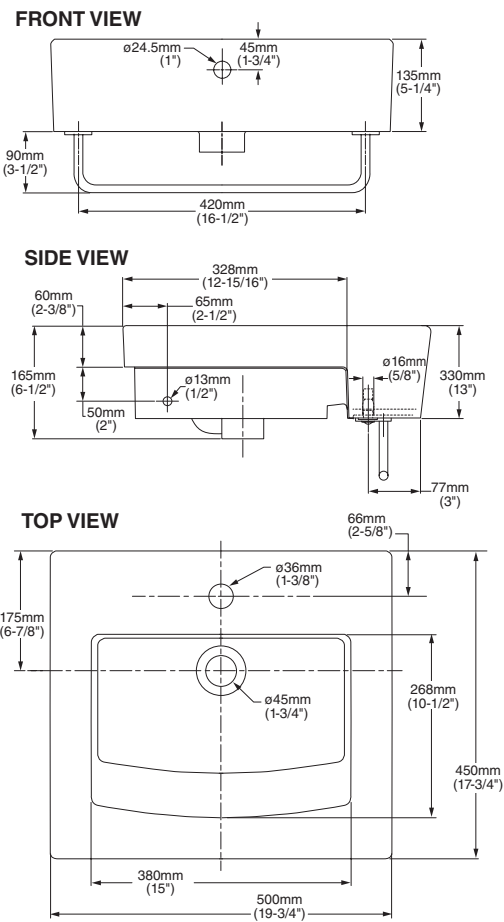
Compliance Certifications - Meets or Exceeds the Following Specifications:

- ASME A112.19.2/CSA B45.1

To Be Specified:

- Color: White
- Faucet*:
- Faucet Finish:
- Supplies & Stops:
- Trap 1-1/4" (32 mm):

* See faucet section for additional models available



NOTES:
* DIMENSIONS SHOWN FOR LOCATION OF SUPPLIES AND "P" TRAP ARE SUGGESTED.
FOR COUNTERTOP CUTOUT AND INSTALLATION INSTRUCTIONS USE TEMPLATE SUPPLIED WITH SINK.
FITTINGS NOT INCLUDED AND MUST BE ORDERED SEPARATELY.
INSTALLATION INSTRUCTIONS SUPPLIED WITH LAVATORY.

IMPORTANT: Dimensions of fixtures are nominal and may vary within the range of tolerances established by ANSI Standard ASME A112.19.2.

These measurements are subject to change or cancellation. No responsibility is assumed for use of superseded or voided pages.