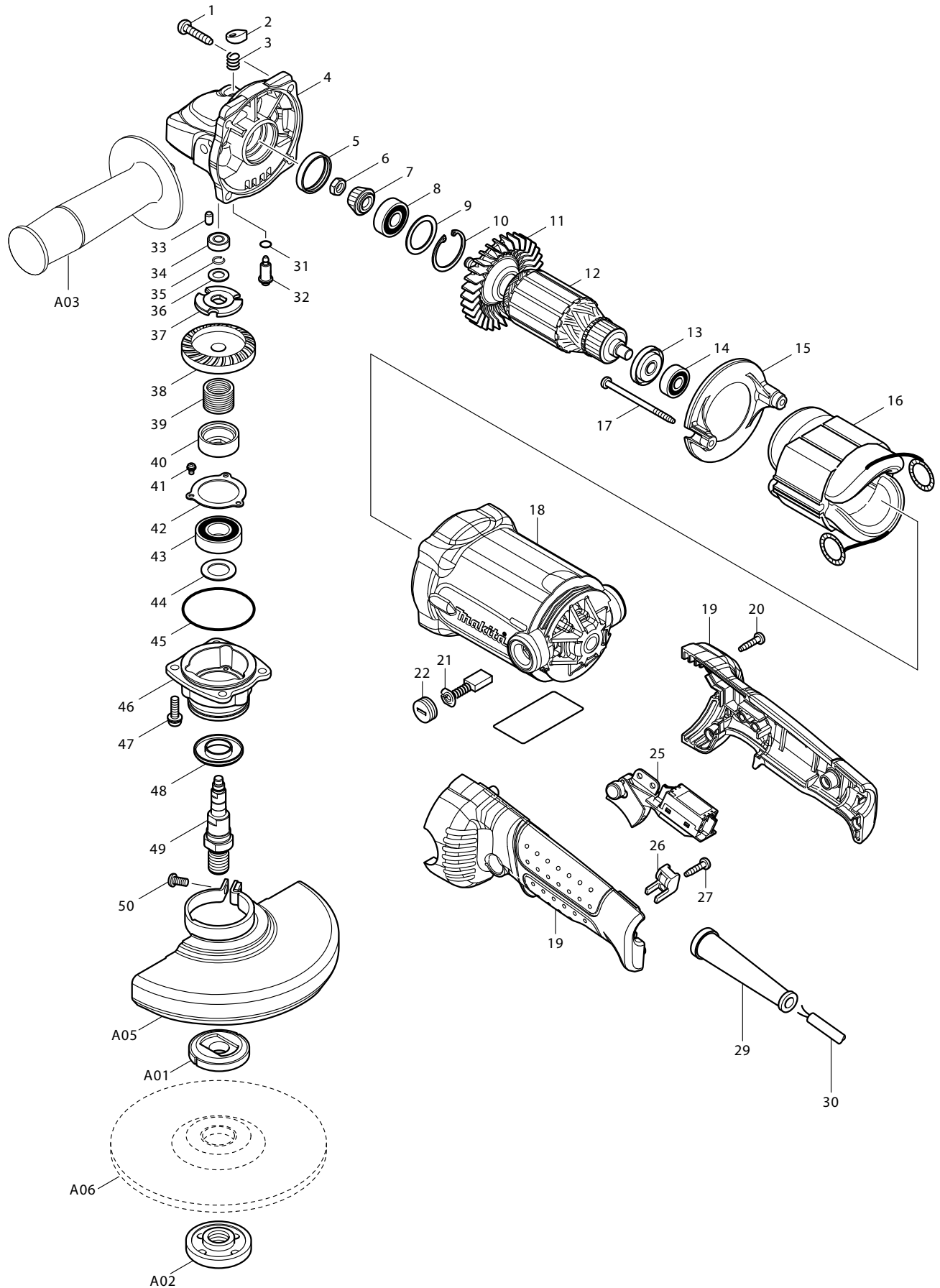




03 - 2008

GA6020

6" GRINDER, SJS, W/O LOCK



Item#	Part#	Description	Q'ty	Unit
1	266041-8	TAPPING SCREW 5X25	4	PC.
2	417771-6	PIN CAP	1	PC.
3	234057-1	COMPRESSION SPRING 8	1	PC.
4	318158-4	GEAR HOUSING	1	PC.
5	262132-3	RUBBER RING 27	1	PC.
6	264010-3	HEX.NUT M7	1	PC.
7	227520-1	SPIRAL BEVEL GEAR 11	1	PC.
8	211088-7	BALL BEARING 6000DDW	1	PC.
9	267352-4	FLAT WASHER 22	1	PC.
10	962107-9	RETAINING RING (INT) R-30	1	PC.
11	240094-5	FAN 70	1	PC.
12	513706-6	ARMATURE ASSY 115V INC. 11,13,14	1	PC.
13	681644-1	INSULATION WASHER	1	PC.
14	210005-4	BALL BEARING 608DDW	1	PC.
15	419961-7	BAFFLE PLATE	1	PC.
16	525771-3	FIELD ASSY (INCLUDES 2X654020-2 - RING TERMINAL 2X654501-6 - CONNECTOR P-A.25)	1	PC.
17	266340-8	TAPPING SCREW 4X65	2	PC.
18	158438-4	MOTOR HOUSING COM (INCLUDES 2X643708-9 - BRUSH HOLDER 5-11)	1	PC.
19	188292-2	HANDLE SET	1	SET
20	266326-2	TAPPING SCREW 4X18	4	PC.
21	191979-7	CARBON BRUSH CB-311, 2PCS/SET	1	SET
22	643750-0	BRUSH HOLDER CAP	2	PC.
25	651195-8	SWITCH TG933TNB-1, DOUBLE	1	PC.
26	687260-7	CORD CLAMP	1	PC.
27	266326-2	TAPPING SCREW 4X18	1	PC.
29	682505-8	CORD GUARD 10-90	1	PC.
30	664265-4	POWER SUPPLY CORD AWG#16-2-2.5, SJ	1	PC.
31	213977-2	O RING 7	1	PC.
32	256505-0	SHOULDER PIN 5	1	PC.
33	263002-9	RUBBER PIN 4	1	PC.
34	210006-2	BALL BEARING 696ZZ	1	PC.
35	233926-3	RING SPRING 7	1	PC.
36	253835-0	FLAT WASHER 8	1	PC.
37	267807-9	LOCK WASHER	1	PC.
38	227522-7	SPIRAL BEVEL GEAR 35B	1	PC.
39	233957-2	LOCK SPRING 16	1	PC.
40	324833-2	LOCK SLEEVE	1	PC.
41	911003-8	PAN HEAD SCREW M3X6	3	PC.
42	285728-3	BEARING RETAINER 39	1	PC.
43	211223-7	BALL BEARING 6002DDW	1	PC.
44	253853-8	FLAT WASHER 15	1	PC.
45	213624-5	O RING 48	1	PC.
46	318160-7	BEARING BOX	1	PC.
47	265131-4	PAN HEAD SCREW M5X18	4	PC.
48	345464-4	LABYRINTH RING	1	PC.
49	324790-4	SPINDLE A	1	PC.
50	265103-9	PAN HEAD SCREW M5X14(F/165488-2)	1	PC.
51	251391-4	PAN HEAD SCREW M5X16(F/135172-3)	1	PC.
E01	654532-5	TERMINAL BLOCK 1P	1	PC.
D01	652044-2	(+) BIND SCREW M3.5 X 5.0	4	PC.

Item#	Part#	Description	Q'ty	Unit
D02	654037-5	INSULATED TERM. RBV1.25-3.5T	4	PC.
D03	654077-3	INSULATED TERMINAL FV2-M3	2	PC.
<u>ACCESSORIES</u>				
A01	224361-6	INNER FLANGE 82	1	PC.
	224390-9	INNER FLANGE 48 (FOR CUT-OFF)	1	PC.
A02	224568-4	LOCK NUT 5/8-45	1	PC.
	224574-9	LOCK NUT 5/8-48 (FOR CUT-OFF)	1	PC.
A03	153504-2	GRIP 36 COMPLETE	1	PC.
A04	782424-9	LOCK NUT WRENCH 28	1	PC.
A05	135172-3	TOOLLESS WHEEL COVER ASSY (H:55MM) F/6" (INCLUDES ITEM 51)	1	PC.
	165489-0	CONVENTIONAL WHEEL COVER (H:43.5MM) F/6"	1	PC.
	163475-5	TOOLLESS WHEEL COVER (H:43.5MM) F/6"	1	PC.
	165486-6	CUT-OFF WHEEL GUARD F/6"	1	PC.
A06	A-80846	DEPRESSED CENTER WHEEL 150-36	1	PC.
	741448-A	DEPRESSED CENTER WHEEL 150-24	1	PC.
A07	724117A25	THIN KERF CUT-OFF WHEEL 6"x1/16"X7/8" F/STEEL, 25/PK	1	PC.
A08	162258-0	VIBRATION PROOF GRIP	1	PC.
A09	224517-1	SANDING LOCK NUT 5/8-48	1	PC.
A10	743016-9	RUBBER PAD 125 F/6"	1	PC.