

Specifications

Random Orbit Sander

Double Insulation

Soft Start

Variable Speed

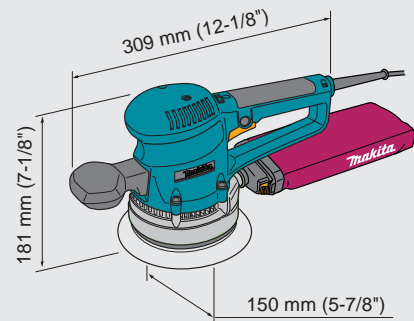
Dust Collecting

Hook & Loop

Pad diameter	150 mm (6")
Abrasive disc diameter	150 mm (6")
Continuous rating	
Input	310 W
Orbits per minute (min ⁻¹)	4,000 – 10,000
Orbit diameter	3 mm
Sanding stroke rate (min ⁻¹)	8,000 – 20,000
Tool height	181 mm (7-1/8")
Overall length	309 mm (12-1/8")
Net weight	2.3 kg (5.1 lbs)
Power supply cord	2.5 m (8.2 ft.)

Note : Specifications may differ from country to country

Dimension



A world's leading manufacturer of power tools

Double Insulation

Soft Start feature

Variable Speed

Dust Collecting

Hook & Loop

150 mm (6") Random Orbit Sander Model BO6030

Standard equipment

Random Orbit Sander

	Part No.
Abrasive Disc (Dia 150 mm, Grit 120) 1 PC.	794610-0
Hex Wrench 5	783203-8

Optional accessories

Random Orbit Sander

Abrasive disc
for woods, metals, and plastics
hook & loop type
(10 pcs./set)



Grit	Disc diameter	Part No.
40	150 mm	794607-9
60		794608-7
80		794609-5
120		794610-0
180		794611-8
240		794612-6
400	794613-4	

Sanding Cross
(For finishing work)
hook & loop type
(5 pcs./set)



Grit	Disc diameter	Part No.
100	150 mm	794614-2
200		794615-0
800		794616-8

Wool Pad
for high gloss polishing
hook & loop type



Disc diameter	Part No.
150 mm	794619-2

Sponge Pad
For applying wax, polishing-
up weathered paint work
hook & loop type



Disc diameter	Part No.
150 mm	794617-6

Felt Pad
for removing wax
hook & loop type



Disc diameter	Part No.
150 mm	794618-4

Rubber pad
Use with pre-punched
abrasive disc.



Type	Part No.
Hard (For coarse sanding)	794604-5
Soft (For general sanding)	193299-5
Super Soft (For fine sanding)	794606-1

Paper dust bag set

Paper dust bag : 1pc

Paper dust bag holder : 1pc



Part No.
193294-5

Paper dust bag (5pcs./set)



Part No.
193293-7



NEW

Makita Corporation

3-11-8, Sumiyoshi-cho, Anjo, Aichi 446-8502, Japan

PRINTED IN JAPAN Z13979-2 2000-11



A world's leading manufacturer of power tools

Optimum speed selection and assorted accessories for a wide range of sanding jobs



Ergonomic Housing Top; optimum design for single-handed operation
Fits your palm ideally because of its low height and round design.

Variable Speed Control Dial
Simply turn the dial to preselect the optimum sanding speed to suit the material or the desired finish.

Soft Rubber Grip
Fits your hand perfectly for controlled operation.

Large and Tough Cord Guard
Excellent flexibility protects the cable from disconnection.

1

2

Sanding Pad Brake
Saves the workpiece from sanding scratches when the running machine is pressed against the workpiece.

"Hook and Loop" Pad Fastening System
Quick and easy to change accessory discs.

1. Detachable Front Handle

Convenient for corner sanding.

2. Dust Bag Convenient for Disposal of Dust

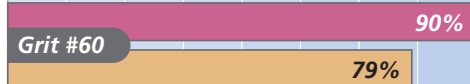
Can be detached by merely pushing a button for quick disposal of dust.

Effective System of Integrated Dust Extraction

Makita BO6030

Competitor Tool

- The large vacuum fan for more effective dust extraction.
- Can be connected to the Makita vacuum cleaner.



When sanding a workpiece of spruce fir with abrasive paper #60 for two minutes.

80 90%

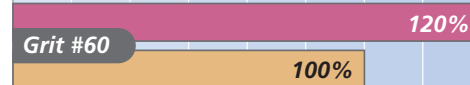
Dust extracting rate

Lower Vibration, More Efficient Sanding

Makita BO6030

Competitor Tool

Compared with other same class, BO6030 sands more than 120% although its vibration is almost at the same level.



When sanding a workpiece of spruce fir with abrasive paper #60 for two minutes.

100 120%