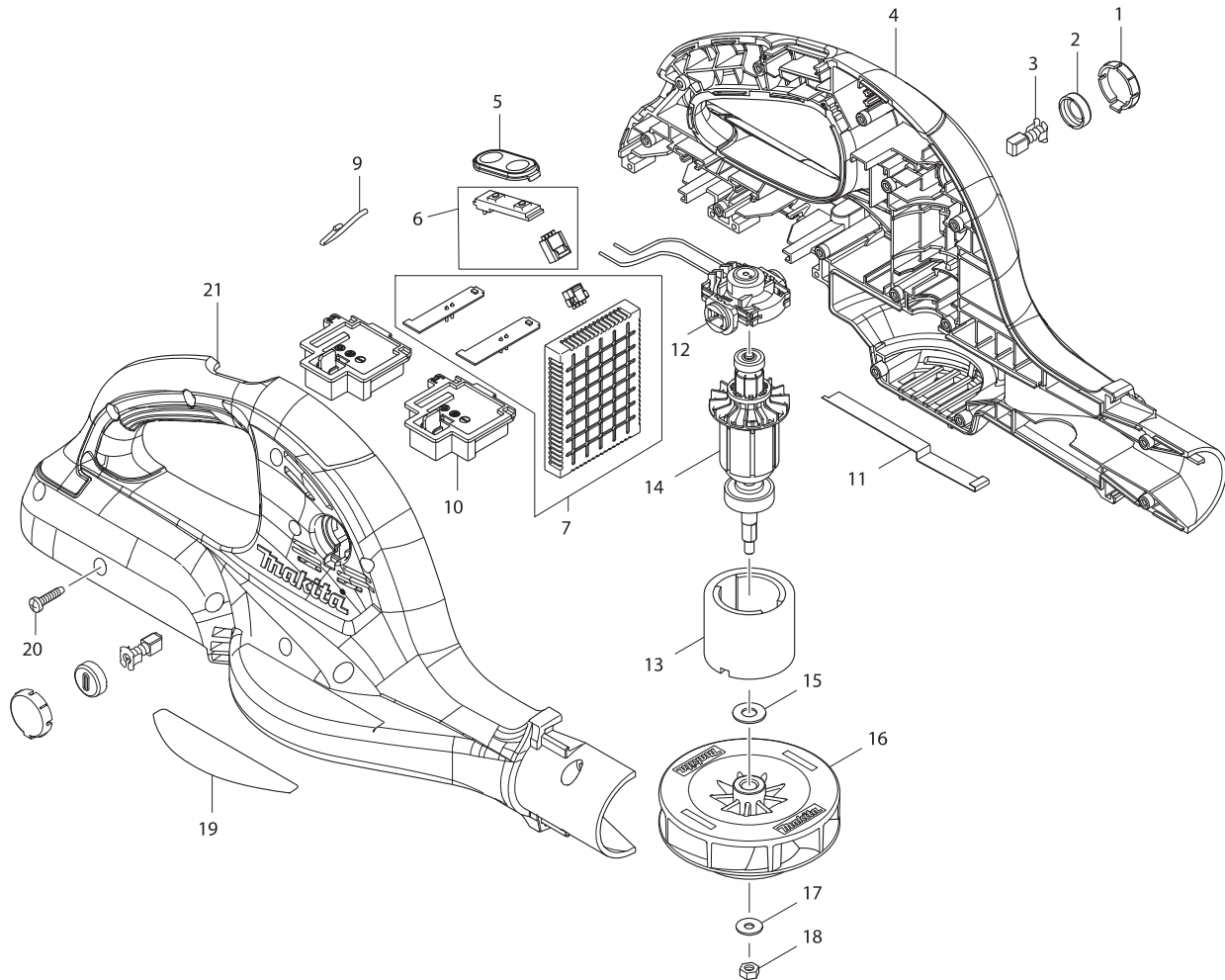




XBU01



Products with multiple versions are listed in subsiding order with the newest version on top not indented.

Section	Fig. No.	Part No.	Description	XBU01	Tech Bulletin	Notes
1	1	452145-4	HOLDER CAP COVER	2		
1	2	643929-3	BRUSH HOLDER CAP	2		
1	3	CB430	CARBON BRUSH SET CB-430	1		
1	3	195018-5	CARBON BRUSH SET CB-430	1		
1	4	187853-5	HOUSING SET	1		INC 21
1		263005-3	RUBBER PIN 6	4		INC WITH FIG 4
1	5	140463-9	SWITCH PLATE COMPLETE	1		
1	6	620282-4	SWITCH COMPLETE	1		
1	7	620276-9	CONTROLLER	1		
1	9	325973-9	HANGER	1		
1	10	644808-8	TERMINAL	2		
1	11	346328-5	EARTH PLATE	1		
1	12	632B93-7	ENDBELL COMPLETE	1		
1	13	638420-4	YOKE UNIT	1		
1	14	619260-9	ARMATURE	1		
1	15	253865-1	FLAT WASHER 8	1		
1	16	240124-2	FAN 95	1		
1	17	253194-2	FLAT WASHER 5	1		
1	18	252177-9	HEX.NUT M5-8	1		
1	20	265995-6	TAPPING SCREW 4X18	14		
1	21	187853-5	HOUSING SET	1		INC 4
1		263005-3	RUBBER PIN 6	4		INC WITH FIG 21
1	A02	452123-4	LONG NOZZLE	1		NOT PICTURED