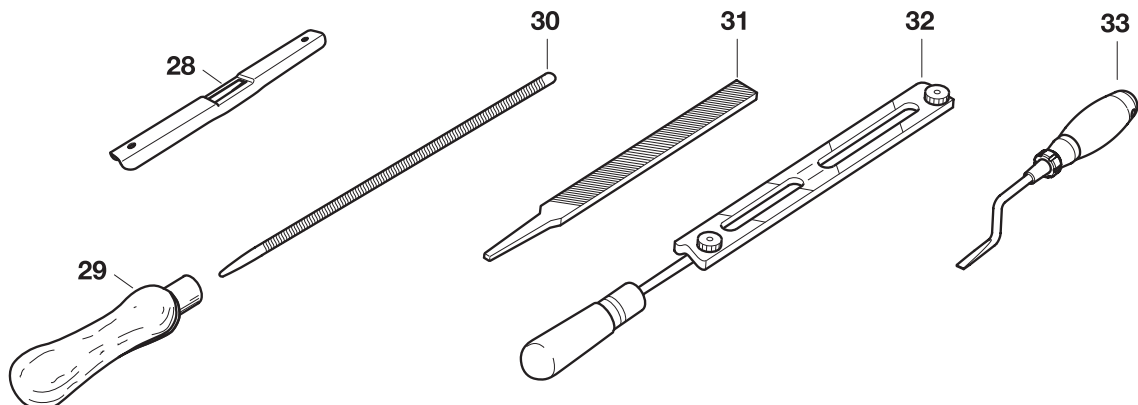
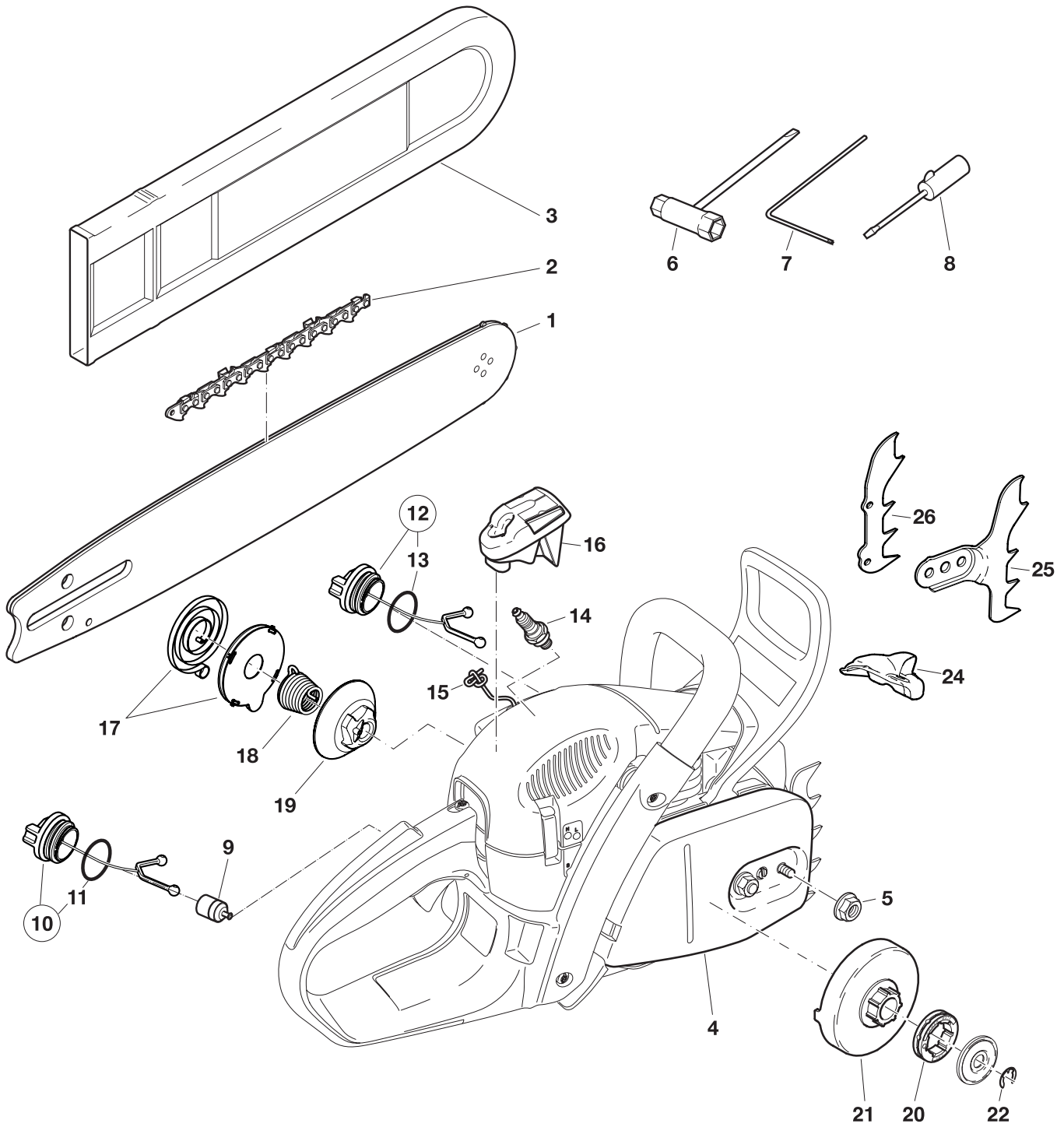


Extract from the spare parts list

Use only original MAKITA parts. For repairs and replacement of other parts, see your MAKITA service center.

EA5000P, EA5001P



Extract from the spare parts list

Use only original MAKITA parts. For repairs and replacement of other parts, see your MAKITA service center.

EA5000P, EA5001P



| Pos. | MAKITA-No. | Qty. | Denomination | Accessories (not delivered with the chain saw) |
|------|-------------|------|------------------------------|---|
| 1 | 445 040 641 | 1 | Sprocket nose bar .325", 16" | 28 953 100 090 1 Chain gauge |
| | 445 045 641 | 1 | Sprocket nose bar .325", 18" | 29 953 004 010 1 File handle |
| 2 | 523 082 666 | 1 | Saw chain .325" for 16" | 30 953 003 100 1 Round file, dia. 11/64", (4,5 mm) |
| | 523 082 672 | 1 | Saw chain .325" for 18" | 30 953 003 070 1 Round file, dia. 3/16", (4,8 mm) |
| 1 | 445 045 631 | 1 | Sprocket nose bar .325", 18" | 30 953 003 040 1 Round file, dia. 7/32", (5,5 mm) |
| 2 | 528 086 672 | 1 | Saw chain .325" for 18" | 31 953 003 060 1 Flat file |
| 1 | 443 045 661 | 1 | Sprocket nose bar 3/8", 18" | 32 953 030 020 1 File holder 11/64" |
| 2 | 513 496 664 | 1 | Saw chain 3/8" for 18" | 32 953 009 000 1 File holder 7/32" |
| | | | | 32 953 030 030 1 File holder 3/16" |
| | | | | 33 944 500 795 1 Cylinder ribs cleaner |
| 3 | 952 010 640 | 1 | Chain protector for 16" | 16 181 173 240 1 Air filter (nylon) |
| | 952 020 650 | 1 | Chain protector for 18" | - 949 000 036 1 Combined can (for 5l fuel, 3l chain oil) |
| 4 | 181 213 601 | 1 | Sprocket guard, cpl. | |
| 5 | 923 208 004 | 2 | Hexagonal nut M8 | |
| 6 | 941 719 131 | 1 | Universal wrench SW 19/13 | |
| 7 | 940 827 000 | 1 | Offset screwdriver | |
| 8 | 944 340 001 | 1 | Carburetor screwdriver | |
| 9 | 010 114 010 | 1 | Fuel filter | |
| 10 | 181 114 202 | 1 | Fuel tank cap, cpl. | |
| 11 | 963 229 036 | 1 | O-Ring 29,3x3,6 mm | |
| 12 | 170 114 100 | 1 | Oil tank cap, cpl. | |
| 13 | 963 225 030 | 1 | O-Ring 25x3 mm | |
| 14 | 965 603 021 | 1 | Spark plug | |
| 15 | 181 164 020 | 1 | Starter cable 3,5x1100 mm | |
| 16 | 181 173 180 | 1 | Air filter (fleece) | |
| 17 | 181 163 050 | 1 | Return spring pack, complete | |
| 18 | 181 163 080 | 1 | Spring | |
| 19 | 181 163 090 | 1 | Driver | |
| 20 | 026 224 010 | 1 | 3/8" sprocket, 7-tooth | |
| | 181 224 040 | 1 | Sprocket .325", 7-tooth | |
| 21 | 181 223 062 | 1 | Clutch drum | |
| 22 | 927 408 000 | 1 | Circlip | |
| 24 | 181 174 470 | 1 | Spark collector, cpl. | |
| 25 | 181 250 030 | 1 | Spike bar | |
| 26 | 181 250 020 | 1 | Spike bar | |