



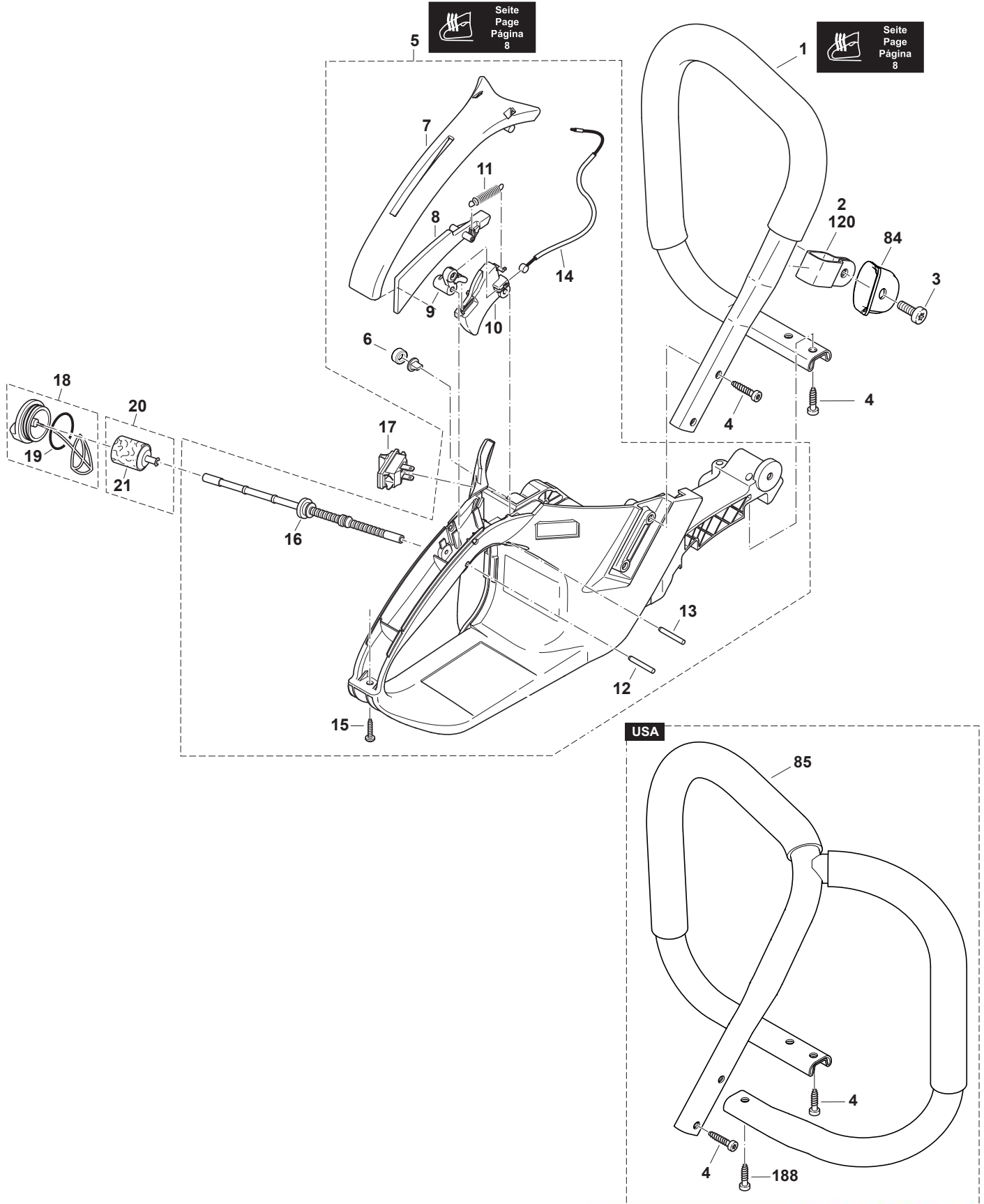
PARTS BREAKDOWN

DCS6421 (Makita Teal)

DCS6421R (Makita Red)

PS-6400 (Dolmar Red)

PS-6400H (Dolmar Red)

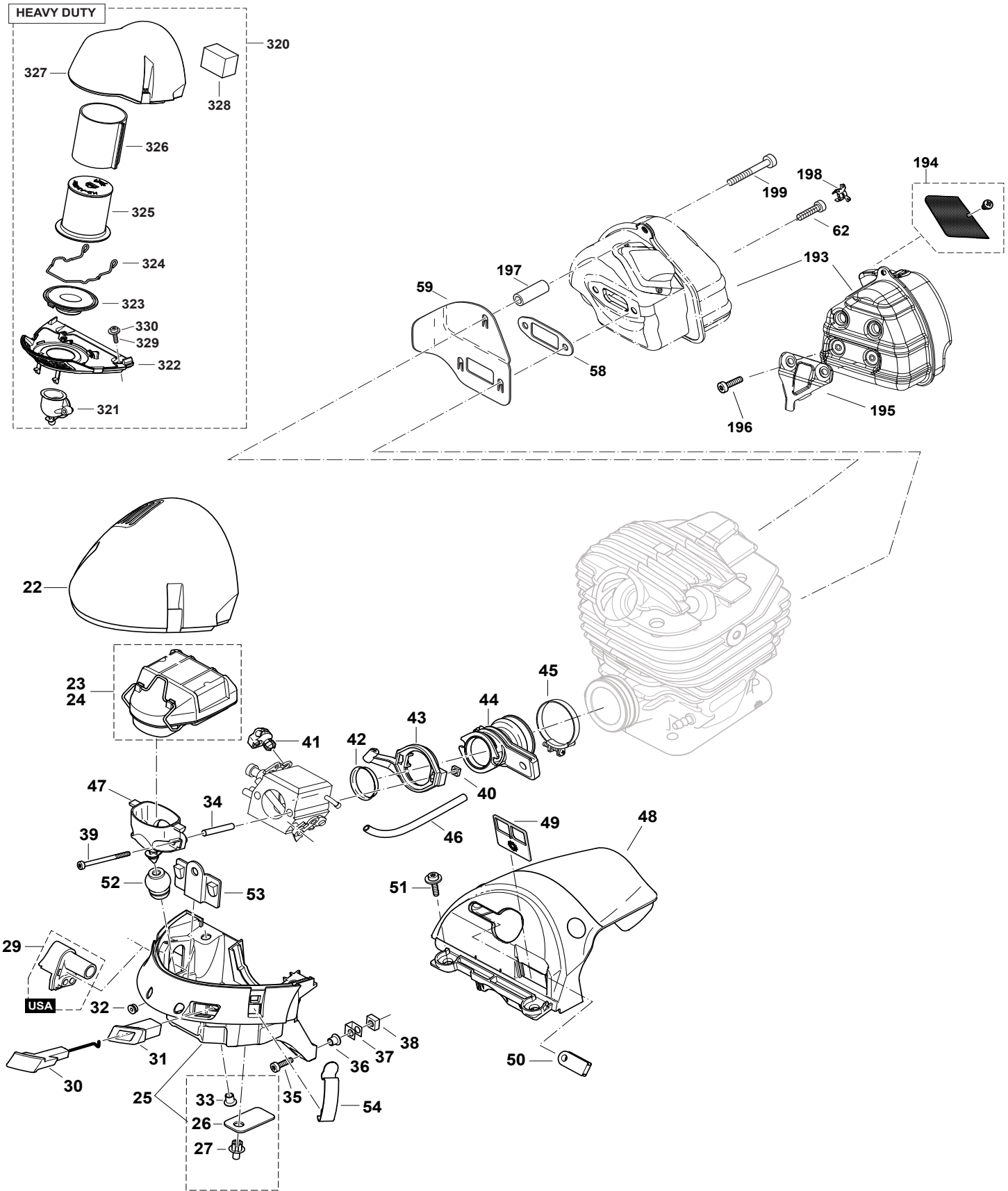


Products with multiple versions are listed in subsiding order with the newest version on top not indented.

Section	Fig. No.	Part No.	Description	DCS642120	DCS6421R	PS-6400	PS-6400H	Tech Bulletin	Notes
1	1	038-310-021	TUBULAR HANDLE ASSY	1	1	1			
1	1	038-310-020	TUBULAR HANDLE ASSY	1		1			
1	2	038-310-062	CLAMP, DCS6401	1	1	1	1		
1	2	038-310-061	CLAMP, DCS6401	1		1	1		
1	3	908-006-145	SCREW 6x14	1	1	1	1		
1	4	266478-9	SCREW 5.5x16	4	4	4	4		
1	4	913-455-164	SCREW 5.5x16	4		4	4		
1	5	038-114-700	TANK CPL. BLUE, DCS6401	1					USA (EPA)
1	5	038-114-609	TANK CPL. BLUE, DCS6401	1					USA (EPA)
1	5	038-114-200	TANK CPL. RED		1	1			USA (EPA)
1	6	957-114-061	AIR VALVE CPL, DCS6401	1	1	1	1		
1	7	038-114-631	GRIP PLATE BLUE	1					
1	7	038-114-630	GRIP PLATE, BLUE	1					
1	7	038-114-031	GRIP PLATE RED		1	1	1		
1	8	038-117-020	CATCH LEVER	1	1	1	1		
1	9	038-117-030	ROCKER	1	1	1	1		
1	10	038-117-010	THROTTLE LEVER	1	1	1	1		
1	11	038-117-050	SPRING	1	1	1	1		
1	12	935-930-240	CYLINDRICAL PIN 3x24	1	1	1	1		
1	13	935-930-280	CYLINDRICAL PIN 3x28	1	1	1	1		
1	14	038-117-041	BOWDEN CABLE, DCS6421	1	1	1	1		
1	14	010-117-040	BOWDEN CABLE	1		1	1		
1	15	913-340-204	SCREW 4x20 S27	1	1	1	1		
1	16	038-114-052	FUEL LINE, DCS6421	1	1	1	1		
1	16	038-114-051	FUEL LINE, DCS6401	1		1	1		
1	17	975-001-241	SHORT CIRCUIT SWITCH, DCS6401	1	1	1	1		
1	18	010-114-050	TANK CAP cpl.	1	1	1	1		
1	19	963-228-030	PACKING RING 28x3	1	1	1	1		
1	20	010-114-010	SUCTION HEAD	1	1	1	1		
1	20	963-601-122	SUCTION HEAD CPL., DPC7321	1		1	1		
1	21	963-601-240	FELT for SUCTION HEAD	1	1	1	1		For use with 963-601-122
1	21	010-114-020	SUCTION HEAD REPAIR KIT	1	1	1	1		For use with 010-114-010

Products with multiple versions are listed in subsiding order with the newest version on top not indented.

Section	Fig. No.	Part No.	Description	DCS642120	DCS6421R	PS-6400	PS-6400H	Tech Bulletin	Notes
1	84	038-310-070	SPRING LIMITER, DCS6421	1	1	1	1		
1	85	038-310-111	WRAP AROUND HANDLE ASSY.	1	1	1	1		
1	120	010-114-039	SET OF SPRINGS, DCS6421	1	1	1	1		Inc. 2, 70, 88, 90, 93
1	188	266478-9	SCREW 5.5x16	1	1	1	1		
1	188	913-455-164	SCREW 5.5x16	1	1	1	1		

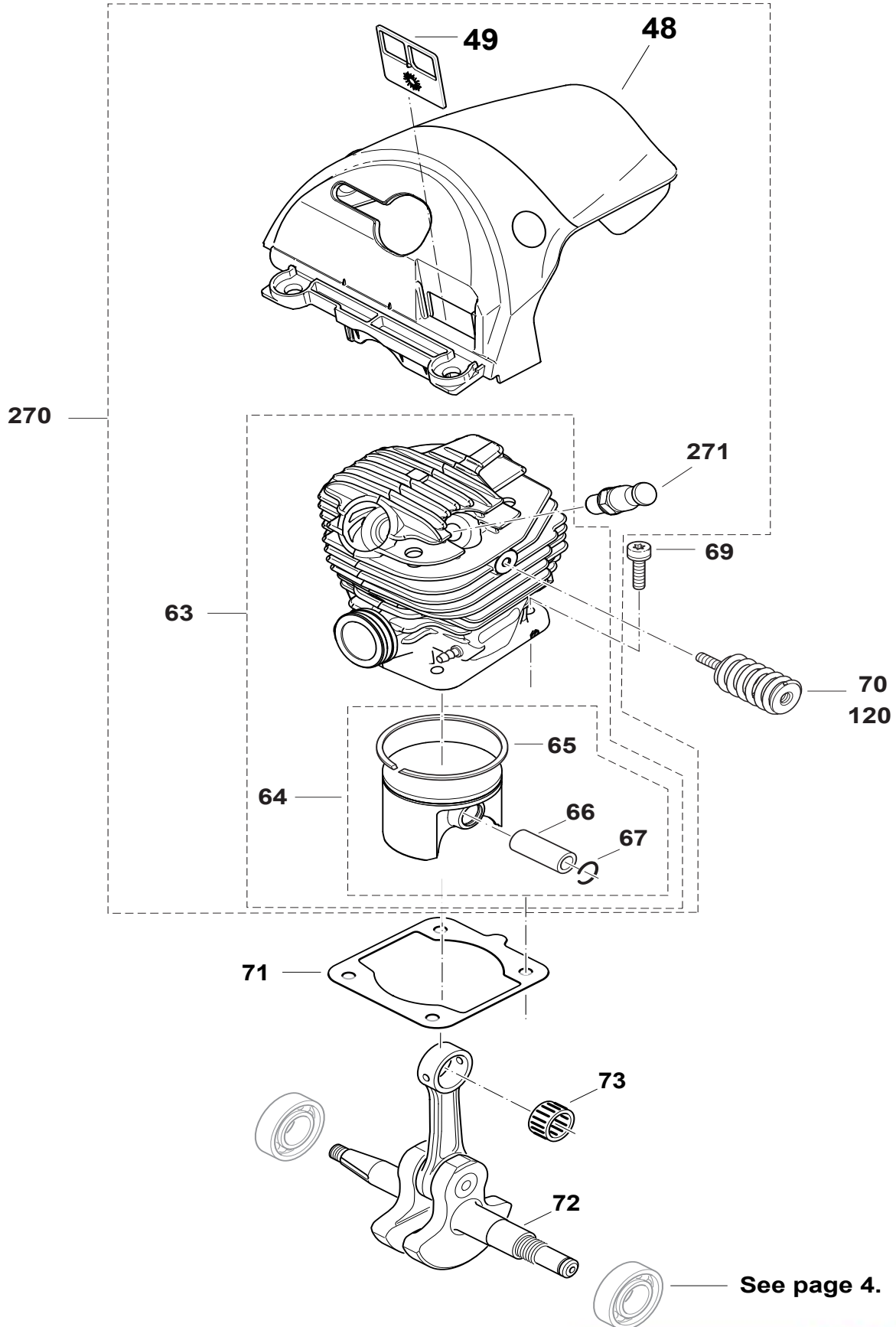


Products with multiple versions are listed in subsiding order with the newest version on top not indented.

Section	Fig. No.	Part No.	Description	DCS642120	DCS6421R	PS-6400	PS-6400H	Tech Bulletin	Notes
2	22	038-118-024	COVER BLACK	1	1	1	1		
2	23	038-173-101	AIR FILTER CPL., DCS6401	1	1	1	1		
2	24	038-173-011	AIR FILTER COMPLETE, NYLON, DCS6401	1	1	1	1		
2	25	038-118-670	BOTTOM BLUE, DCS6401	1					
2	25	038-118-630	BOTTOM, BLUE	1					
2	25	038-118-170	BOTTOM RED		1	1	1		
2	26	038-118-110	RUBBER FLAP	2	2	2	2		
2	27	938-650-062	RIVET	2	2	2	2		
2	29	038-118-083	ADJUSTING GUIDE, DCS6421	1	1	1	1		2009-10>
2	29	038-118-081	ADJUSTING GUIDE, DCS6421			1	1		>2009-09
2	30	038-155-052	CHOKE LINKAGE, DCS6401	1	1	1	1		
2	30	038-155-051	CHOKE SHAFT, DCS6401	1		1	1		
2	31	038-155-020	CHOKE GUIDE	1	1	1	1		
2	33	001-118-100	BUSHING	2	2	2	2		
2	34	038-155-060	SPACER L=30MM	2	2	2	2		
2	35	908-005-205	SCREW 5x20	2	2	2	2		
2	36	001-118-100	BUSHING	2	2	2	2		
2	37	038-111-050	CLIP	2	2	2	2		
2	38	038-111-060	SQUARE NUT M5	2	2	2	2		
2	39	908-204-555	SCREW 4x55	2	2	2	2		
2	40	921-804-004	SQUARE NUT M4	2	2	2	2		
2	41	038-155-012	RETAINING CLIP, DCS6401	1	1	1	1		
2	42	038-131-031	INSERT FOR SUCTION HOSE, DCS6401	1	1	1	1		
2	43	038-171-041	FLANGE	1	1	1	1		
2	44	038-131-011	SUCTION HOSE, DCS6401	1	1	1	1		
2	45	965-603-050	HOSE CLAMP	1	1	1	1		
2	46	965-452-382	TUBE,	1	1	1	1		
2	46	965-452-380	TUBE,L=65	1		1	1		
2	47	038-171-012	CONNECTING MUFF, DCS7901	1	1	1	1		
2	47	038-171-011	CONNECTING MUFF, DCS7901	1	1	1	1		
2	48	038-118-050	HOOD CPL. BLACK, DCS6421	1	1	1	1	2012-01	2012-01>
2	48	038-118-291	HOOD CPL. BLACK			1	1		>2011-12
2	49	038-118-140	INSERT	1	1	1	1		
2	50	038-118-130	CABLE GUIDE	1	1	1	1		
2	51	917-105-205	SCREW M5x20	2	2	2	2		

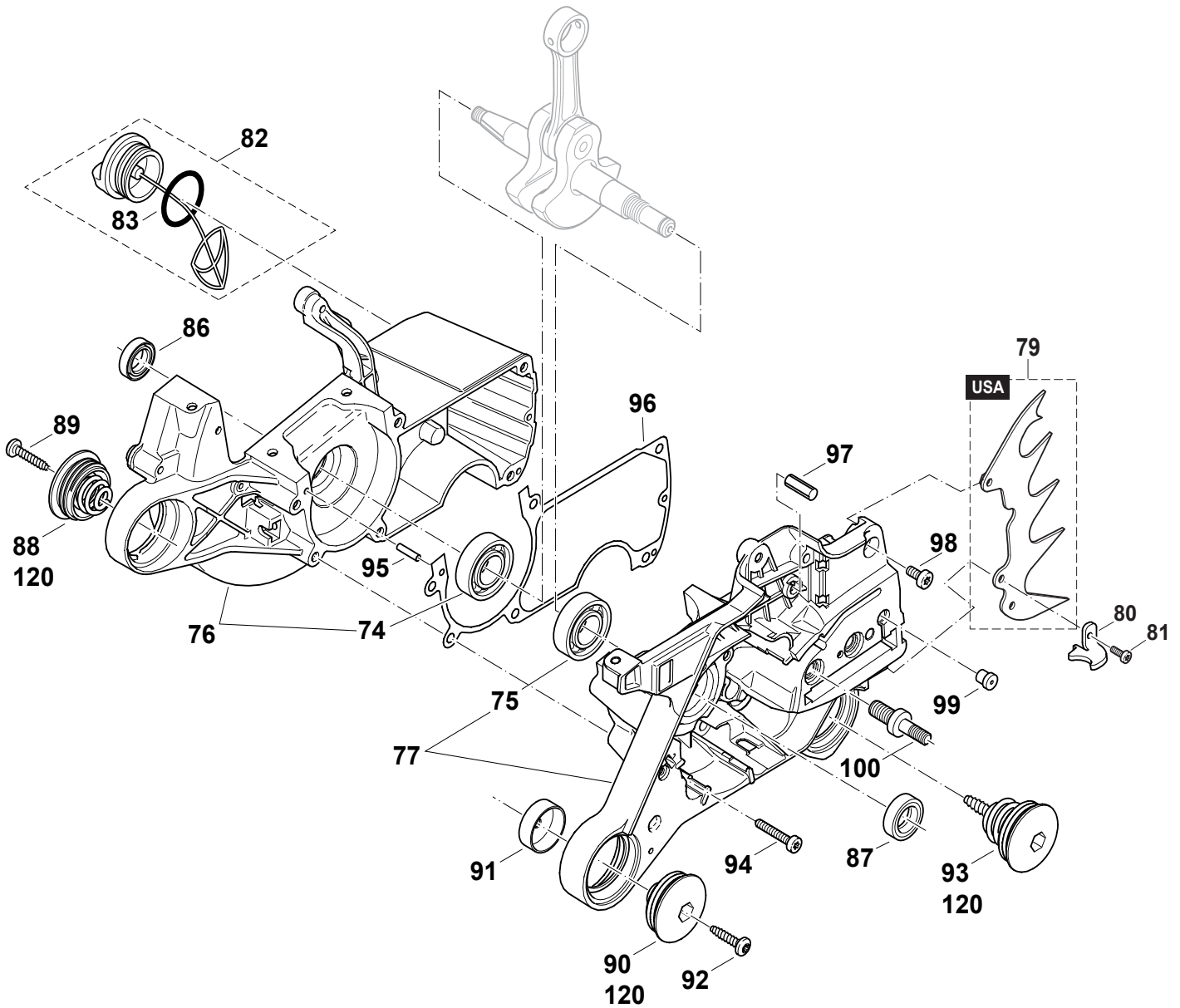
Products with multiple versions are listed in subsiding order with the newest version on top not indented.

Section	Fig. No.	Part No.	Description	DCS642120	DCS6421R	PS-6400	PS-6400H	Tech Bulletin	Notes
2	52	038-171-031	HOLDER	1	1	1	1		
2	53	038-118-100	PLUG	1	1	1	1		
2	54	130-118-070	STEEL CLIP, DCS6401	2	2	2	2		
2	54	038-118-071	STEEL CLIP	2		2	2		
2	58	038-174-811	GASKET, DPC8112	1	1	1	1		
2	59	038-174-023	COVER PLATE, DCS6401	1	1	1	1		
2	59	038-174-021	COVER PLATE, DCS6401	1		1	1		
2	62	266960-8	SCREW M5x20	2	2	2	2		
2	62	908-405-205	SCREW M5x20	2	2	2	2		
2	193	038-174-300	MUFFLER, DCS6421	1	1	1	1		
2	194	038-174-910	SPARK ARRESTOR SCREEN, DCS6421	1	1	1	1		2010-01>
2	195	038-174-400	CARRIER FOR CATALYST	1	1	1	1		2010-01>
2	196	909-005-105	SCREW M5X10, DCS6421	2	2	2	2		2010-01>
2	197	038-174-410	CONNECTING LINK, DCS6421	1	1	1	1		2010-01>
2	198	038-174-451	PLUG FOR MUFFLER TUBE, DCS6421	2	2	2	2		2010-01>
2	199	266480-2	TORX SCREW 5X55, EHW120	1	1	1	1		
2	199	908-505-555	TORX SCREW 5X55, EHW120	1	1	1	1		2010-01>
2	320	957-173-400	HEAVY DUTY AIR FILTER KIT	1	1	1	1		ACCESSORY ONLY
2	321	038-171-050	CONNECTING MUFF	1	1	1	1		ACCESSORY ONLY
2	322	038-118-460	INTERMEDIATE BOTTOM	1	1	1	1		ACCESSORY ONLY
2	323	038-118-490	BELLOWS	1	1	1	1		ACCESSORY ONLY
2	324	038-118-450	CLIP FOR BOW	1	1	1	1		ACCESSORY ONLY
2	325	038-173-310	AIR-FILTER CARTRIDGE	1	1	1	1		ACCESSORY ONLY
2	326	038-173-350	PRE-FILTER	1	1	1	1		ACCESSORY ONLY
2	327	038-118-410	COVER	1	1	1	1		ACCESSORY ONLY
2	328	038-173-370	PRE-FILTER	1	1	1	1		ACCESSORY ONLY
2	329	908-405-255	SCREW	1	1	1	1		ACCESSORY ONLY
2	330	924-805-310	DISC	1	1	1	1		ACCESSORY ONLY



Products with multiple versions are listed in subsiding order with the newest version on top not indented.

Section	Fig. No.	Part No.	Description	DCS642120	DCS6421R	PS-6400	PS-6400H	Tech Bulletin	Notes
3	48	038-118-050	HOOD CPL., BLACK, DCS6421	1	1	1	1	2012-01	
3	49	038-118-140	INSERT	1	1	1	1	2012-01	
3	63	040-130-035	CYLINDER PISTON CPL., DCS6421	1	1	1	1	2012-01	
3	64	325-132-035	PISTON CPL., DCS6421	1	1	1	1		
3	64	325-132-034	PISTON CPL., DCS6421	1	1	1	1		
3	64	325-132-033	PISTON CPL. (47), DPC6410	1		1	1		
3	65	325-132-050	PISTON RING (D=47)	1	1	1	1		
3	66	119-132-030	PISTON PIN	1	1	1	1		
3	67	038-132-080	SPRING RING C12x1	2	2	2	2		
3	69	908-805-235	SCREW W/SPRING WASHER, DPC7331	4	4	4	4		
3	70	181-114-401	SPRING W/THREADED INSERT, DCS6401	1	1	1	1		
3	70	038-114-152	SPRING W/THREADED INSERT, DCS6401	1		1	1		
3	71	965-531-160	GASKET, DPC6410	1	1	1	1		
3	72	038-120-100	CRANKSHAFT CPL., DCS6421	1	1	1	1		
3	72	038-120-021	CRANKSHAFT, DCS6401	1		1	1		
3	73	962-210-121	NEEDLE CAGE, DCS6421	1	1	1	1		
3	73	962-210-019	NEEDLE CAGE	1		1	1		
3	120	010-114-039	SET OF SPRINGS, DCS6421	1	1	1	1		Inc. 2, 70, 88, 90, 93
3	270	040-130-910	REPLACEMENT CYLINDER SET, PS-6400			1	1	2012-01	Inc. 48, 49, 64, 271
3	271	038-118-180	DECOMPRESSION VALVE	1	1	1	1	2012-01	

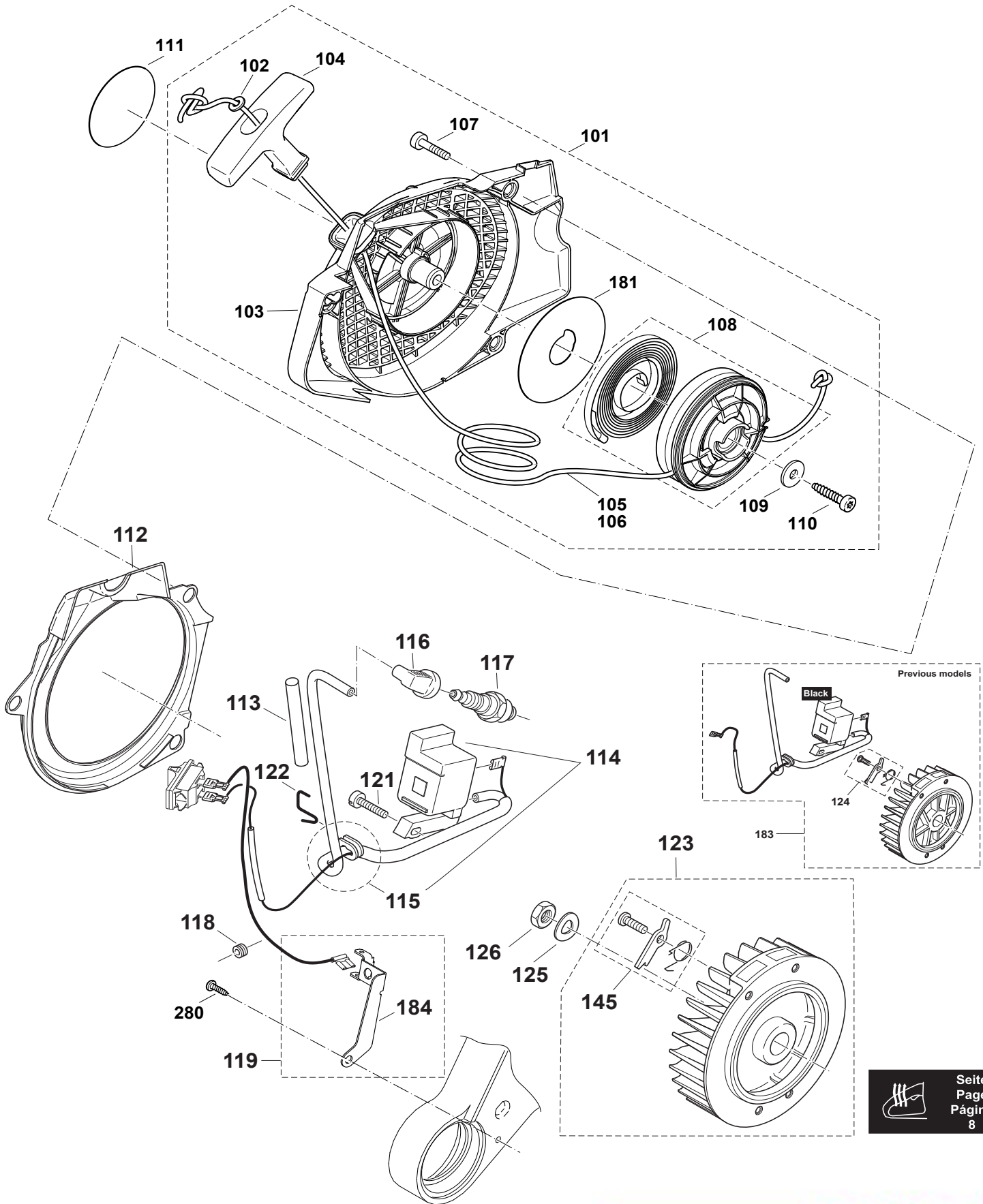


Products with multiple versions are listed in subsiding order with the newest version on top not indented.

Section	Fig. No.	Part No.	Description	DCS642120	DCS6421R	PS-6400	PS-6400H	Tech Bulletin	Notes
4	74	960-102-152	BALL BEARING, DCS6421	1	1	1	1		
4	74	960-102-159	BALL BEARING 6202	1		1	1		
4	75	960-102-171	BALL BEARING 6203 C4	1	1	1	1		
4	75	960-102-179	BALL BEARING 6203 C4	1	1	1	1		
4	76	038-111-660	CRANKCASE MAG.SIDE-BLUE, DCS6401	1					
4	76	038-111-160	CRANKCASE MAG. SIDE RED		1	1			
4	77	038-111-641	CRANKCASE CLUTCH SIDE,BLUE, DCS6401	1					
4	77	038-111-270	CRANKCASE CLUTCH SIDE RED		1	1	1		
4	77	038-111-141	CRANKCASE CLUTCH SIDE RED			1	1		
4	79	038-250-222	SPIKE BAR (CRANKCASE), DCS6421	1	1	1	1		
4	79	038-250-221	SPIKE BAR (CRANKCASE), DCS6421	1		1	1		
4	79	038-250-202	SPIKE BAR (CRANKCASE), DCS6421	1		1	1		
4	79	038-250-201	SPIKE BAR (CRANKCASE), DCS6401	1		1	1		
4	80	038-111-171	CHAIN CATCH, DCS6401	1	1	1	1		
4	81	908-805-205	SCREW 5x16	1	1	1	1		
4	82	010-114-050	TANK CAP cpl.	1	1	1	1		
4	83	963-228-030	PACKING RING 28x3	1	1	1	1		
4	86	962-900-052	RADIAL RING	1	1	1	1		
4	87	962-900-061	RADIAL RING 17x28x5/4	1	1	1	1		
4	88	038-114-130	SPRING cpl.,w/cap	1	1	1	1		
4	89	913-455-204	SCREW 5.5x20	1	1	1	1		
4	90	038-114-130	SPRING cpl.,w/cap	1	1	1	1		
4	91	038-114-191	POT, DCS6401	1	1	1	1		
4	91	038-114-190	POT	1		1	1		
4	92	913-455-204	SCREW	1	1	1	1		
4	93	038-114-141	SPRING, DCS6401	1	1	1	1		
4	94	908-005-305	SCREW 5x30	6	6	6	6		
4	95	936-430-160	SPIRAL CLAMPING PIN 3x16	2	2	2	2		
4	96	038-111-043	GASKET	1	1	1	1		
4	96	038-111-042	GASKET	1	1	1	1		
4	97	934-660-250	SLOTTED PIN 6x24	1	1	1	1		
4	98	266477-1	FLAT HEAD SCREW M5X12, DCS460	1	1	1	1		
4	98	908-105-126	FLAT HEAD SCREW M5X12, DCS460	1	1	1	1		2015-01>
4	98	908-005-125	SCREW 5X12	1	1	1	1		>2014-12

Products with multiple versions are listed in subsiding order with the newest version on top not indented.

Section	Fig. No.	Part No.	Description	DCS642120	DCS6421R	PS-6400	PS-6400H	Tech Bulletin	Notes
4	99	168504-9	VENT VALVE	1	1	1	1		
4	99	010-245-030	VENT VALVE	1		1	1		
4	100	038-232-011	FASTENING BOLT, DCS6421	2	2	2	2		
4	100	038-232-010	BOLT	2		2	2		
4	120	010-114-039	SET OF SPRINGS, DCS6421	1	1	1	1		Inc. 2, 70, 88, 90, 93



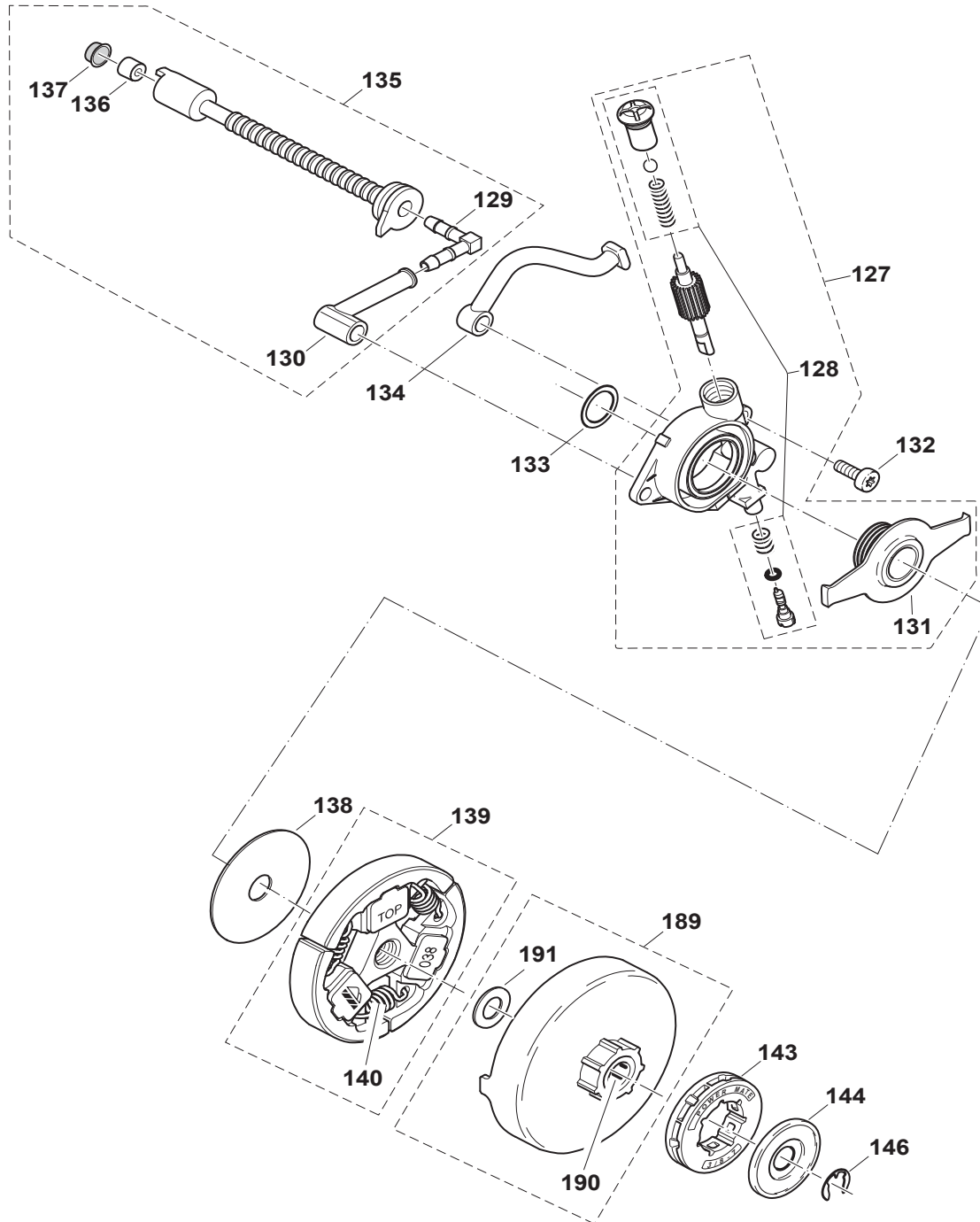
Seite
Page
Página
8

Products with multiple versions are listed in subsiding order with the newest version on top not indented.

Section	Fig. No.	Part No.	Description	DCS642120	DCS6421R	PS-6400	PS-6400H	Tech Bulletin	Notes
5	101	038-160-610	STARTER ASS'Y. BLUE, DCS6421	1					
5	101	038-160-604	STARTER ASS'Y., DCS6401	1					
5	101	038-160-010	STARTER ASSY. RED		1	1	1		
5	102	928-405-000	SPRING WASHER	1	1	1	1		
5	103	038-112-630	FAN HOUSING, BLUE	1					
5	103	038-112-033	FAN HOUSING RED		1	1	1		
5	103	038-112-032	FAN HOUSING RED		1	1	1		
5	104	001-161-020	STARTER GRIP, DPC6410	1	1	1	1		
5	105	108-164-020	STARTER ROPE,(L=980MM)	1	1	1	1		
5	106	985-000-155	STARTER ROPE, (L=100M)	1	1	1	1		ACCESSORY ONLY
5	107	266607-4	SCREW M5x20	3	3	3	3		
5	107	908-605-205	SCREW M5x20	3	3	3	3		
5	108	038-162-024	CABLE DRUM, DCS6401	1	1	1	1		
5	109	924-605-510	WASHER 5.5x18x1.6	1	1	1	1		
5	110	913-455-204	SCREW 5.5x20	1	1	1	1		
5	111	980-115-674	LABEL, PS6400			1	1		
5	111	980-115-539	LABEL, DCS6421	1					
5	112	038-112-020	AIR DUCT	1	1	1	1		
5	113	970-502-110	INSULATING HOSE,L=140	1	1	1	1		
5	114	038-143-041	IGNITION COIL RED, DCS6401H	1	1	1	1		
5	115	038-143-030	CABLE HARNESS	1	1	1	1		
5	116	957-604-240	PLUG CAP	1	1	1	1		
5	117	965-603-021	SPARK PLUG	1	1	1	1		NGK BPMR7A .020
5	118	965-401-011	RUBBER BUSH	1	1	1	1		
5	119	957-311-590	EARTH CABLE, DCS6421	1	1	1	1		Inc. 184 2010-10>
5	119	970-311-540	EARTH CABLE			1	1		>2010-09
5	121	908-304-205	SCREW 4x10x20 S27	2	2	2	2		
5	122	038-111-110	CLIP	2	2	2	2		
5	123	010-038-141	FLYWHEEL, DCS6401	1	1	1	1		
5	123	010-038-140	FLYWHEEL, DCS6401	1	1	1	1		
5	123	957-141-000	FLYWHEEL, DCS6401	1	1	1	1		
5	123	010-381-141	FLYWHEEL ASSY.	1		1	1		
5	124	108-166-051	STARTER RATCHET cpl.			2	2		
5	125	267822-3	SPRING WASHER	1	1	1	1		
5	125	926-208-001	SPRING WASHER	1		1	1		
5	126	920-208-024	HEXAGONAL NUT M8x1	1	1	1	1		>2010-09
5	145	038-166-050	STARTER RACHET CPL. PS-7910	1	1	1	1		2010-10>
5	181	038-162-050	SPACER	1	1	1	1		

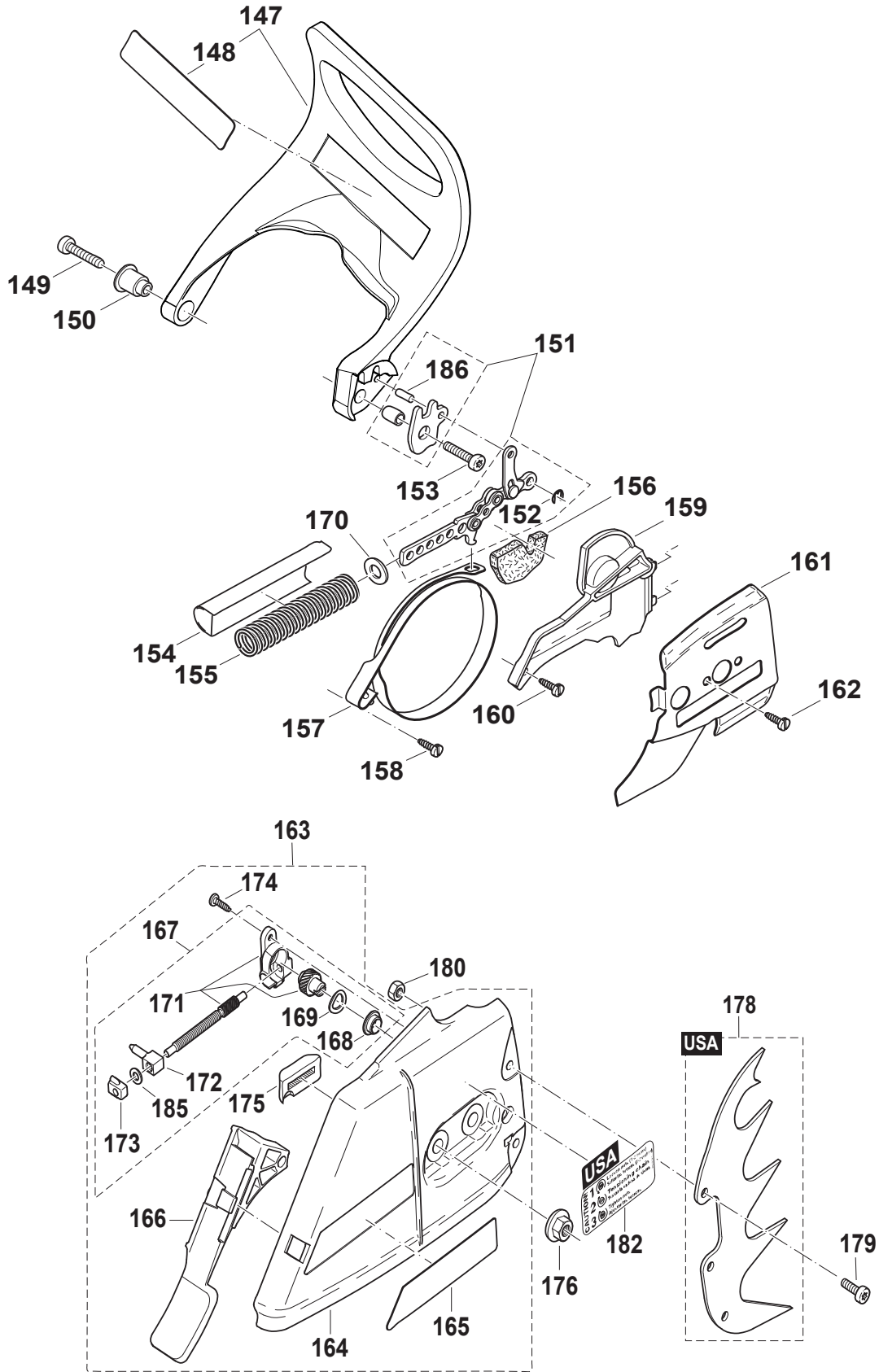
Products with multiple versions are listed in subsiding order with the newest version on top not indented.

Section	Fig. No.	Part No.	Description	DCS642120	DCS6421R	PS-6400	PS-6400H	Tech Bulletin	Notes
5	183	010-038-141	FLYWHEEL/IGNITION COIL KIT, DCS6401			1	1		
5	184	038-111-150	CLAMP, PS-7910	1	1	1	1		
5	280	251480-5	TAPPING SCREW ST 3.5X9.5, EA4300F	1	1	1	1		
5	280	915-535-100	SCREW BZ3.5x9.5	1	1	1	1		



Products with multiple versions are listed in subsiding order with the newest version on top not indented.

Section	Fig. No.	Part No.	Description	DCS642120	DCS6421R	PS-6400	PS-6400H	Tech Bulletin	Notes
6	127	038-245-011	OIL PUMP CPL., DCS6401	1	1	1	1		
6	128	030-245-070	REPAIR KIT	1	1	1	1		
6	129	001-245-140	ANGULAR NIPPLE	1	1	1	1		
6	130	038-245-110	OIL LINE	1	1	1	1		
6	131	038-245-031	PUMP DRIVE, DCS6401	1	1	1	1		
6	132	908-005-125	SCREW 5x12	2	2	2	2		
6	133	038-224-021	DISC, DCS6401	1	1	1	1		
6	134	038-245-061	OIL LINE, DCS6401	1	1	1	1		
6	135	038-245-020	SUCTION LINE OIL cpl.	1	1	1	1		
6	136	900-005-066	DISTANCE RING	1	1	1	1		
6	137	963-601-100	STRAINER SCREEN	1	1	1	1		
6	138	001-182-042	GUIDE DISC, DCS6401	1	1	1	1		
6	139	038-180-013	CLUTCH ASS'Y, DCS6421	1	1	1	1		
6	139	038-180-012	CLUTCH ASS'Y, DCS6421	1	1	1	1		
6	139	038-180-011	CLUTCH ASS'Y, DCS6401	1		1	1		
6	140	024-184-021	SPRING	3	3	3	3		
6	141	957-223-092	CLUTCH DRUM CPL., DCS6401	1	1	1	1		
6	141	957-223-091	CLUTCH DRUM CPL., DCS6401	1		1	1		
6	141	957-223-090	CLUTCH DRUM CPL., DCS6401	1		1	1		
6	141	038-223-020	CLUTCH DRUM CPL., DCS6401			1	1	2005-12	
6	142	962-210-024	NEEDLE SLEEVE, DCS510	1	1	1	1	2005-12	
6	143	119-224-070	RIM SPROCKET, T=3/8"	1	1	1	1		
6	144	267820-7	WASHER 29, EA4300F	1	1	1	1		
6	144	181-224-081	DISC, DCS510	1	1	1	1		
6	146	259045-7	STOP RING E-8, EA4300F	1	1	1	1		
6	146	927-408-000	WASHER, D=8x1.3	1	1	1	1		
6	189	957-223-092	CLUTCH DRUM CPL., DCS6401	1	1	1	1		Inc. 190,191
6	190	962-300-009	NEEDLE SLEEVE, DCS510	1	1	1	1		
6	191	038-223-100	WASHER, PS-7910	1	1	1	1		



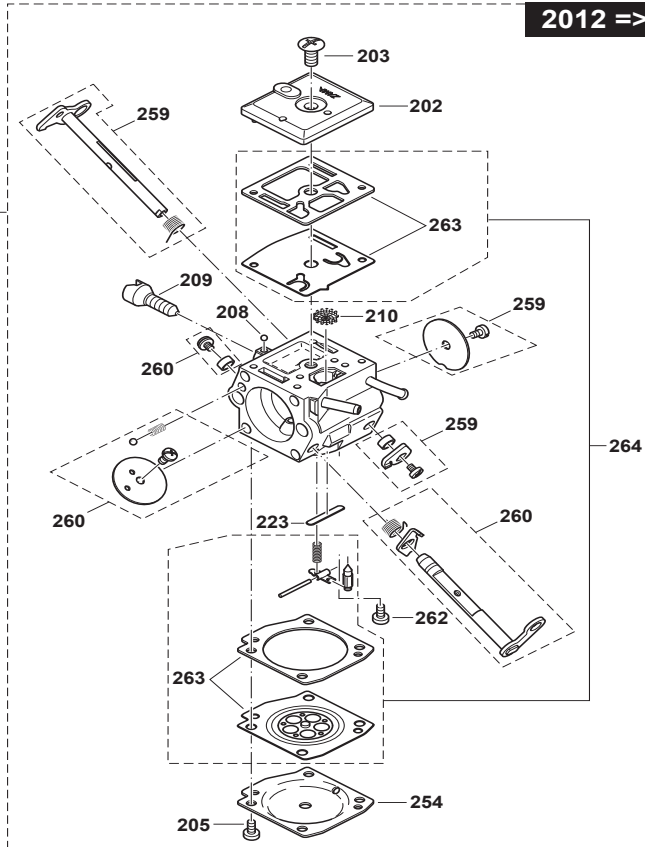
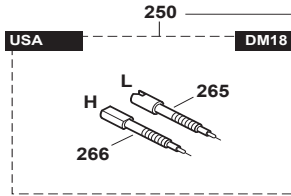
Products with multiple versions are listed in subsiding order with the newest version on top not indented.

Section	Fig. No.	Part No.	Description	DCS642120	DCS6421R	PS-6400	PS-6400H	Tech Bulletin	Notes
7	147	038-213-380	HAND GUARD CPL., DCS6401	1	1	1	1		
7	147	038-213-221	HAND GUARD CPL., DCS6401	1	1	1	1		
7	148	810449-4	CAUTION LABEL	1	1	1	1		
7	148	185-114-237	CAUTION LABEL	1	1	1	1		
7	148	980-114-237	LABEL	1		1	1		
7	149	266960-8	SCREW 5x20	1	1	1	1		
7	149	908-405-205	SCREW 5x20	1	1	1	1		
7	150	038-213-160	BUSHING	1	1	1	1		
7	151	957-213-031	BRAKING MECHANISM	1	1	1	1		
7	151	957-213-030	BRAKING MECHANISM	1	1	1	1		
7	152	257934-0	WASHER 4	1	1	1	1		
7	152	927-304-000	WASHER 4	1	1	1	1		
7	153	908-805-205	SCREW 5x20	1	1	1	1		
7	154	038-213-152	POT, DCS6421	1	1	1	1		
7	154	038-213-150	POT	1		1	1		
7	155	038-213-130	SPRING	1	1	1	1		
7	156	038-213-200	FOAM SPONGE	1	1	1	1		
7	157	038-213-010	BRAKE SPRING	1	1	1	1		
7	158	915-135-100	SCREW BZ3.5x9.5	1	1	1	1		
7	159	038-213-040	PLATE	1	1	1	1		
7	160	251480-5	TAPPING SCREW ST 3.5X9.5, EA4300F	1	1	1	1		
7	160	915-535-100	SCREW BZ3.5x9.5	1	1	1	1		
7	161	038-111-030	GUIDE PLATE	1	1	1	1		
7	162	251480-5	TAPPING SCREW ST 3.5X9.5, EA4300F	1	1	1	1		
7	162	915-535-100	SCREW BZ3.5x9.5	1	1	1	1		
7	163	038-213-641	SPROCKET GUARD CPL., DCS6401	1					BLUE
7	163	038-213-103	SPROCKET GUARD CPL. RED		1	1	1		RED
7	164	038-213-635	SPROCKET GUARD, DCS6401	1					BLUE
7	164	038-213-036	SPROCKET GUARD RED		1	1	1		RED
7	164	038-213-035	SPROCKET GUARD RED			1	1		
7	165	980-116-004	LABEL, PS-6400			1	1		
7	165	980-114-593	LABEL			1	1		
7	166	038-213-190	CHIP GUIDE	1	1	1	1		
7	167	957-213-023	CHAIN TENSIONER, DCS6401	1	1	1	1		
7	168	038-213-080	BUSHING	1	1	1	1		
7	169	038-213-230	SPRING WASHER	2	2	2	2		

Products with multiple versions are listed in subsiding order with the newest version on top not indented.

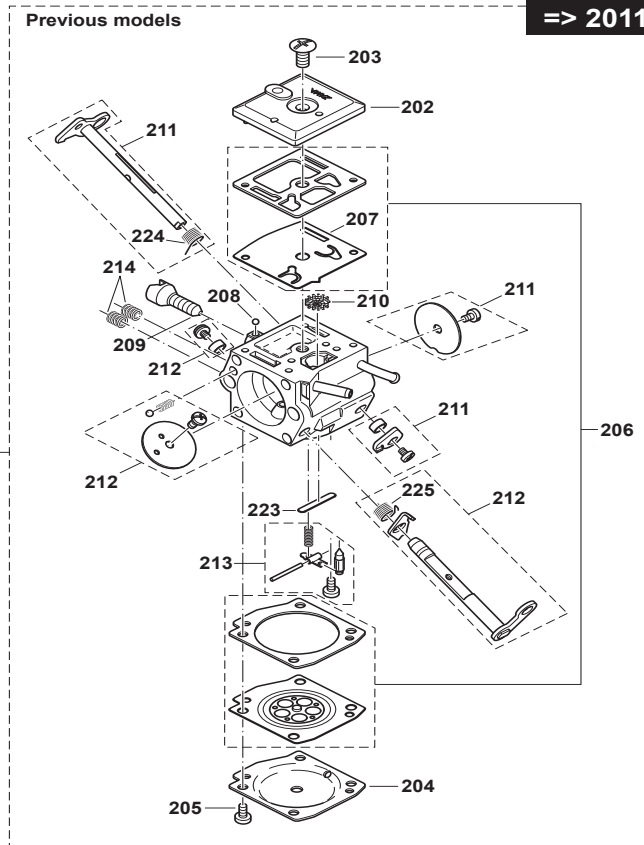
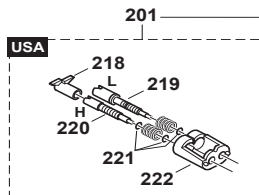
Section	Fig. No.	Part No.	Description	DCS642120	DCS6421R	PS-6400	PS-6400H	Tech Bulletin	Notes
7	170	028-213-012	WASHER, DCS6421	1	1	1	1		
7	170	028-213-011	WASHER, DCS6421			1	1		
7	170	028-213-010	WASHER 12x9			1	1		
7	171	957-213-040	TENSIONING SCREW, DCS6401	1	1	1	1		
7	172	038-213-091	SQUARE NUT, DCS6401	1	1	1	1		
7	173	038-213-070	TENSIONING SCREW BEARING	1	1	1	1		
7	174	251480-5	TAPPING SCREW ST 3.5X9.5, EA4300F	1	1	1	1		
7	174	915-535-100	SCREW BZ3.5x9.5	1	1	1	1		
7	175	024-213-240	CHAIN GUIDE	1	1	1	1		
7	176	252145-2	HEX. NUT M8	2	2	2	2		
7	176	923-208-004	HEX. NUT M8	2	2	2	2		
7	178	038-250-232	SPIKE BAR	1	1	1	1		
7	178	038-250-212	SPIKE BAR	1		1	1		
7	178	038-250-211	SPIKE BAR, DCS6401	1		1	1		
7	179	908-005-125	SCREW M5x12	2	2	2	2		
7	180	920-405-000	HEX. NUT M5	2	2	2	2		
7	185	924-104-300	WASHER, DCS6401	1	1	1	1		
7	186	935-940-100	CYLINDRAL PIN, DCS-6401	1	1	1	1		

2012 =>



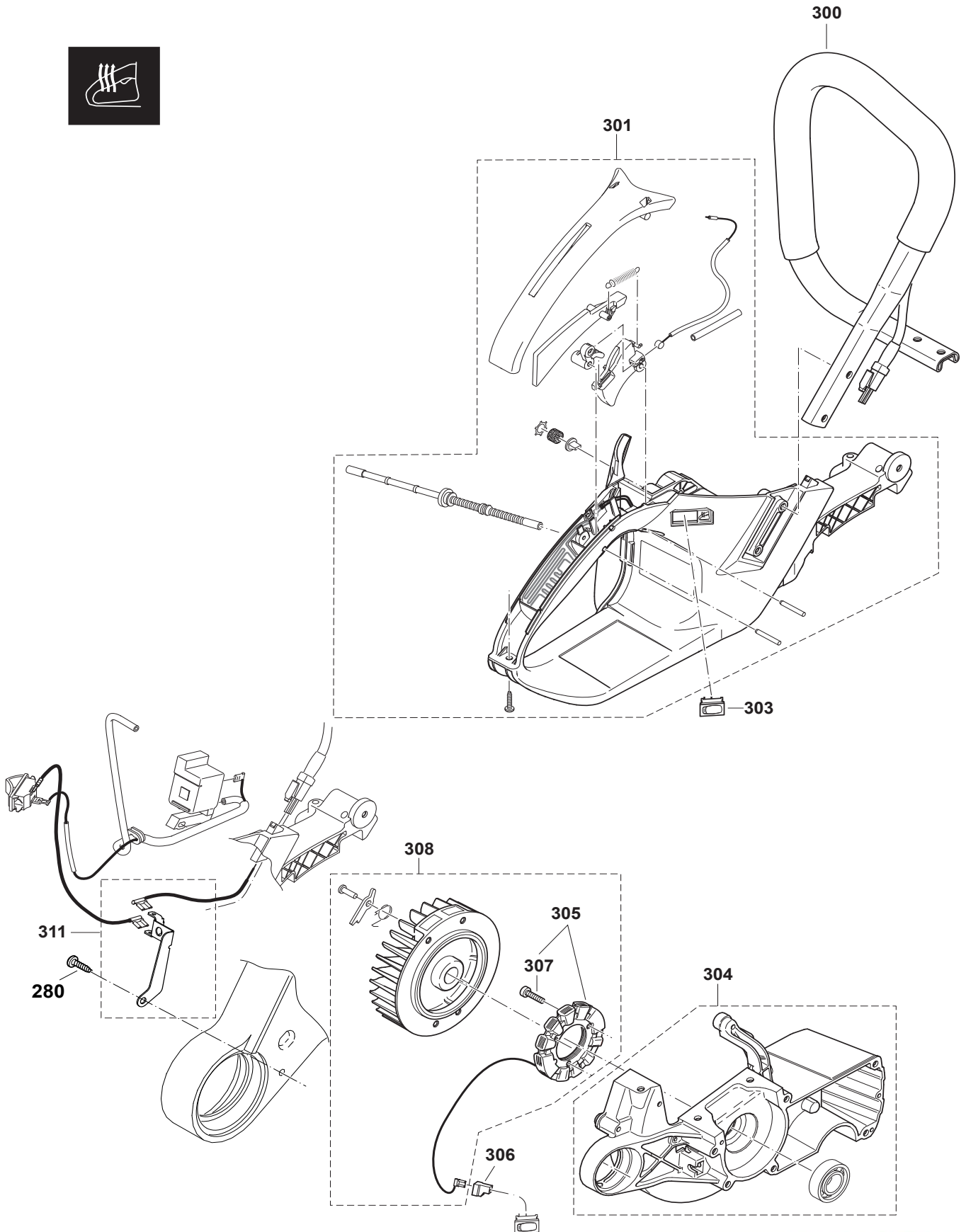
=> 2011

Previous models



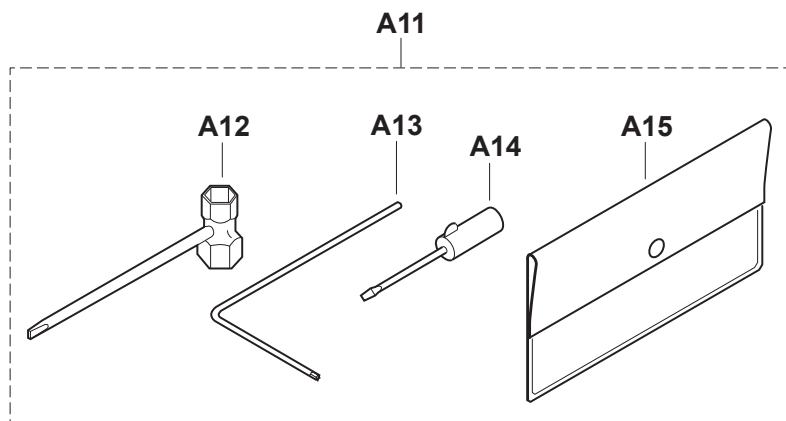
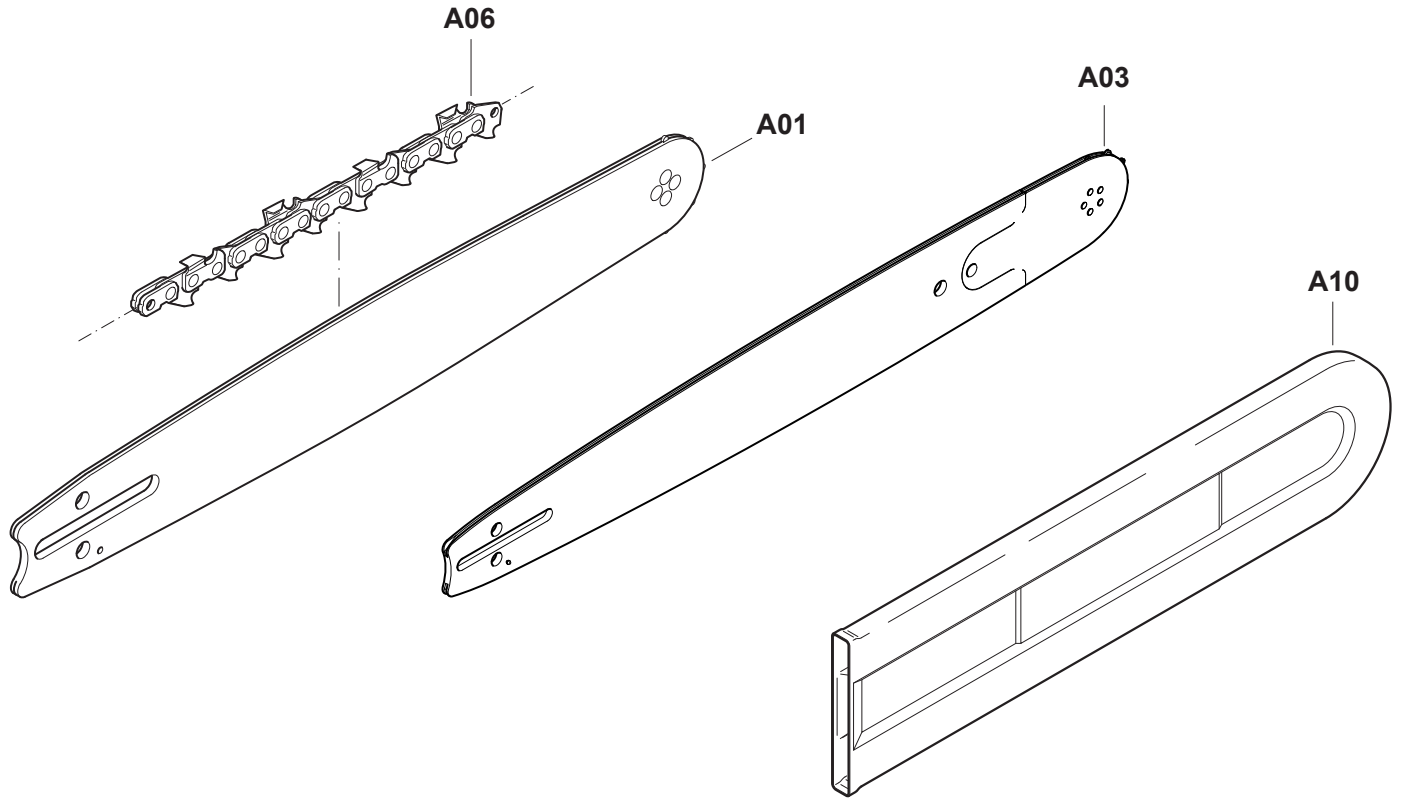
Products with multiple versions are listed in subsiding order with the newest version on top not indented.

Section	Fig. No.	Part No.	Description	DCS642120	DCS6421R	PS-6400	PS-6400H	Tech Bulletin	Notes
8	201	038-153-515	CARBURETOR W/ADJUSTING GUIDE, DCS6421	1	1	1	1		2012-01>
8	201	038-153-500	CARBURETOR CPL., , DCS6421	1		1	1		>2011-12
8	201	038-153-023	CARBURETOR, DCS6401	1		1	1		
8	202	038-153-030	PUMP COVER	1	1	1	1		
8	203	038-153-360	SCREW	1	1	1	1		
8	204	038-153-040	DIAPHRAGM COVER	1	1	1	1		>2011-12
8	205	001-153-020	SCREW	4	4	4	4		
8	206	038-153-410	DIAPHRAGM/GASKETS SET, DCS6401	1	1	1	1		>2011-12
8	207	038-153-070	PUMP DIAPHRAGM, TEFLON	1	1	1	1		>2011-12 Standard Equipment
8	207	038-153-370	PUMP DIAPHRAGM, RUBBER	1	1	1	1		>2011-12 Accessory Item
8	208	038-153-210	LOCKING BALL	1		1	1		
8	209	038-153-220	IDLE STOP SCREW (S)	1	1	1	1		
8	210	036-153-040	SCREEN, DCS34	1	1	1	1		
8	211	957-153-061	THROTTLE SHAFT KIT, DCS6401	1	1	1	1		>2011-12
8	212	957-153-051	CHOKE SHAFT KIT, DCS6401	1	1	1	1		>2011-12
8	213	957-153-100	CONTROL PARTS, DCS6401	1	1	1	1		>2011-12
8	214	038-153-260	SPRING	2	2	2	2		>2011-12
8	218	038-153-310	LIMITER CAP			1	1		>2011-12
8	219	038-153-290	IDLE ADJUSTM. SCREW-L			1	1		>2011-12
8	220	038-153-300	MAIN ADJUSTM. SCREW-H			1	1		>2011-12
8	221	038-153-250	WASHER			3	3		>2011-12
8	222	038-153-320	ADJUSTING GUIDE			1	1		>2011-12
8	223	038-153-350	WELCH PLUG, DCS6421	1	1	1	1		>2011-12
8	250	038-153-515	CARBURETOR W/ADJUSTING GUIDE, DCS6421	1	1	1	1		2012-01>
8	254	038-153-540	DIAPHRAGM COVER ASSY, DCS6421	1	1	1	1		2012-01>
8	259	038-153-570	THROTTLE SHAFT KIT, DCS6421	1	1	1	1		2012-01>
8	260	038-153-580	CHOKE SHAFT KIT, DCS6421	1	1	1	1		2012-01>
8	262	028-153-200	SCREW, DCS6421	1	1	1	1		2012-01>
8	263	038-153-550	SET DIAPHRAGMS / GASKETS, DCS6421	1	1	1	1		2012-01>
8	264	038-153-560	REBUILD KIT, DCS6421	1	1	1	1		2012-01>
8	265	038-153-232	IDLE ADJUSTMENT SCREW, DCS6421	1	1	1	1		2012-01>
8	266	038-153-301	MAIN ADJUSTMENT SCREW, DCS6421	1	1	1	1		2012-01>



Products with multiple versions are listed in subsiding order with the newest version on top not indented.

Section	Fig. No.	Part No.	Description	DCS642120	DCS6421R	PS-6400	PS-6400H	Tech Bulletin	Notes
9	280	251480-5	TAPPING SCREW ST 3.5X9.5, EA4300F	1	1	1	1		
9	280	915-535-100	SCREW BZ3.5x9.5	1	1	1	1		
9	300	038-310-031	TUBULAR HANDLE ASSY., PS-6400H				1		ONLY FOR HEATED HANDLE MODELS
9	301	038-114-090	TANK CPL. RED, PS-6400H				1		ONLY FOR HEATED HANDLE MODELS
9	303	975-001-250	SWITCH, PS-6400H				1		ONLY FOR HEATED HANDLE MODELS
9	304	038-111-180	CRANKC. MAG. SIDE RED, PS-6400H				1		ONLY FOR HEATED HANDLE MODELS
9	305	957-148-020	GENERATOR COIL, PS-6400H				1		ONLY FOR HEATED HANDLE MODELS
9	306	038-146-030	INSULATING CAP, PS-6400H				1		ONLY FOR HEATED HANDLE MODELS
9	307	913-340-205	SCREW M4X20				3		ONLY FOR HEATED HANDLE MODELS
9	308	957-148-002	FLYWHEEL ASSY, PS-6400H				1		ONLY FOR HEATED HANDLE MODELS
9	310	038-143-041	IGNITION COIL RED, DCS6401H	1	1	1	1		
9	311	957-311-590	EARTH CABLE, DCS6421	1	1	1	1		



Products with multiple versions are listed in subsiding order with the newest version on top not indented.

Section	Fig. No.	Part No.	Description	DCS642120	DCS6421R	PS-6400	PS-6400H	Tech Bulletin	Notes
10	A01	445-050-665	20" GUIDE BAR .050, 3/8"	1	1				MAKITA
10	A01	415-050-665	20" GUIDE BAR .050, 3/8"			1	1		DOLMAR
10	A03	713204-A	20" BAR 3/8 X.050G SPEED TIP	1	1	1	1		
10	A03	713205-A	24" BAR 3/8 X.050G SPEED TIP	1	1	1	1		
10	A06	523-100-072	20" CHAIN , .050-3/8,DCS6401-20	1	1	1	1		72LG
10	A06	523-102-072A	20" CHAIN , .050-3/8,DCS6401-20	1	1	1	1		72VL
10	A06	713105-A	LOOP CHAIN 24" (72LG 84)	1	1	1	1		MAKITA
10	A06	523-100-084	LOOP CHAIN 24" (72VL 84)	1	1	1	1		
10	A10	952-020-650	CHAIN PROTECTOR 20"	1	1	1	1		
10	A10	952-020-660	CHAIN PROTECTOR 24"	1	1	1	1		
10	A11	957-004-002	TOOL KIT	1	1	1	1		
10	A12	941-719-133	WRENCH	1	1	1	1		
10	A13	782025-3	T-27 TORX WRENCH	1	1	1	1		
10	A13	940-827-000	T-27 TORX WRENCH	1	1	1	1		
10	A14	944-340-001	SCREWDRIVER	1	1	1	1		
10	A15	950-004-002	PLASTIC BAG	1	1	1	1		