

# Cast Lavatory Wastes

**TECK<sup>®</sup>**  
COMMERCIAL



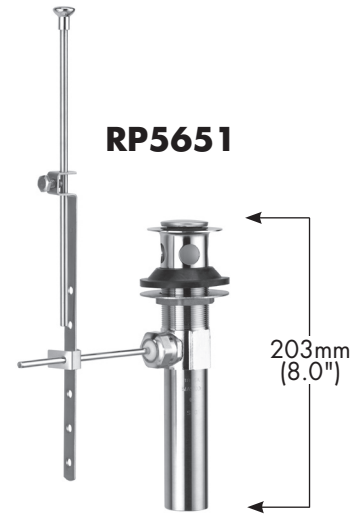
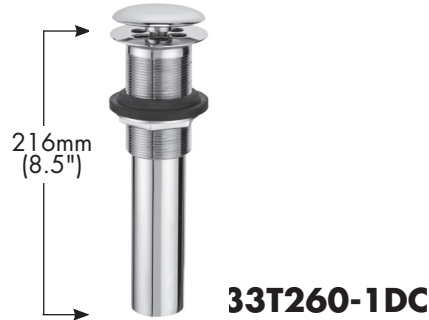
**Specification: (example)**

Chrome plated, open grid, **cast brass** lavatory waste strainer.

- ❑ **33T260**  
32mm (1-1/4") size P.O. plug with overflow holes, 19 hole grid pattern.
- ❑ **33T260SS**  
Same as 33T260 but with Brilliance<sup>®</sup> Stainless finish.
- ❑ **33T260-1**  
32mm (1-1/4") size C.O. plug less overflow holes 7 hole grid pattern.
- ❑ **33T260-1DC**  
Same as 33T260-1 but with drain cover.

**Specification: (example)**

- ❑ **RP5651**  
32mm (1-1/4") size, chrome plated **metal** mechanical lift waste pop-up. Field installable for removal or non-removal drain plug.



# Cast Wheelchair Lavatory Wastes

**TECK<sup>®</sup>**  
COMMERCIAL



**Specification: (example)**

32mm (1-1/4") size, polished chrome plated, offset open grid, **cast brass** lavatory waste strainer.

- ❑ **33T290**  
P.O. plug with overflow holes 127mm (5.0") centers (See A), 19 hole grid pattern.
- ❑ **33T290SS**  
Same as 33T290 but with Brilliance<sup>®</sup> Stainless finish.
- ❑ **33T290-1**  
C.O. plug less overflow holes 127mm (5.0") centers (See A), 7 hole grid pattern.
- ❑ **33T290-1DC**  
Same as 33T290-1 but with drain cover.

**Approvals:**

- CSA certified
  - Complies to ASME A112.18.1
- (Contact Delta Representative for State and/or Local Approvals.)

<b>Engineer/Architect Approval</b>	
Model Specified:	
Approval:	Date:

Note: Measurements may vary ± 6mm (0.25")

**33T290-1**



**Specification: (example)**

32mm (1-1/4") size, polished chrome plated, offset chain and rubber stopper, **cast brass** lavatory waste strainer.

- ❑ **33T295**  
P.O. plug with overflow holes 127mm (5.0") centers. (See A)

**33T290-1DC**



**33T295**



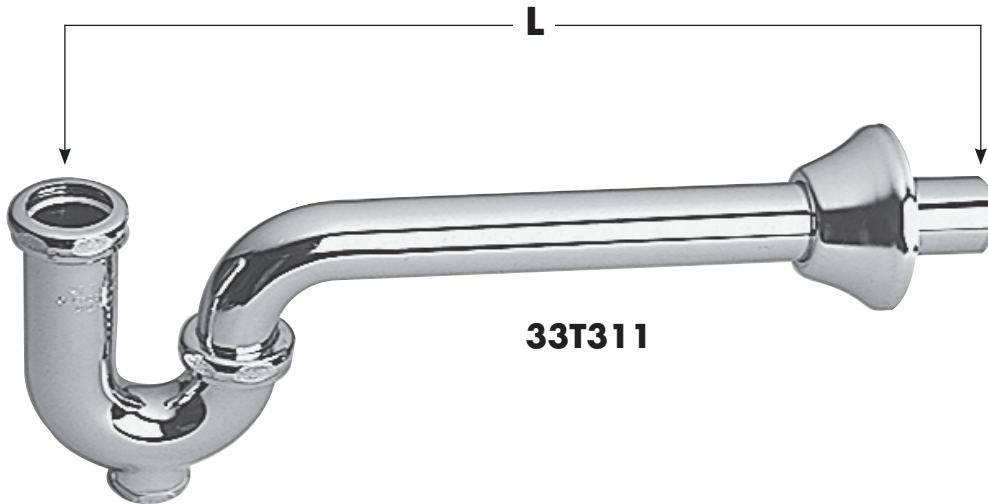
Refer to [www.specselect.com](http://www.specselect.com) for individual models.

Note: Use this page front and back as a product submittal sheet.

**Specification: (example)**

Polished chrome plated **cast brass body**, adjustable "P" trap

- ❑ **33T311**  
32mm (1-1/4") size with  
cleanout plug  
L = 368mm (14.5")
- ❑ **33T301**  
32mm ( 1-1/4") size less  
cleanout plug  
L = 368mm (14.5")
- ❑ **33T360**  
38mm (1-1/2") size with  
cleanout plug  
L = 292mm (11.5")



**Approvals:**

- CSA certified
  - Complies to ASME A112.18.1
- (Contact Delta Representative for State and/or Local Approvals.)

**Engineer/Architect Approval**

Model Specified:

Approval:

Date:

Note: Measurements may vary  $\pm 6\text{mm}$  (0.25")