



Buy it for looks. Buy it for life.®

# Specifications

## DESCRIPTION

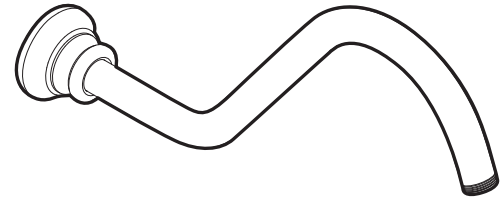
- Metal construction with various finishes identified by suffix

## STANDARDS

- Third party certified to CSA B125, ASME A112.18.1, ANSI A117.1, ASSE 1016, and all applicable requirements referenced therein

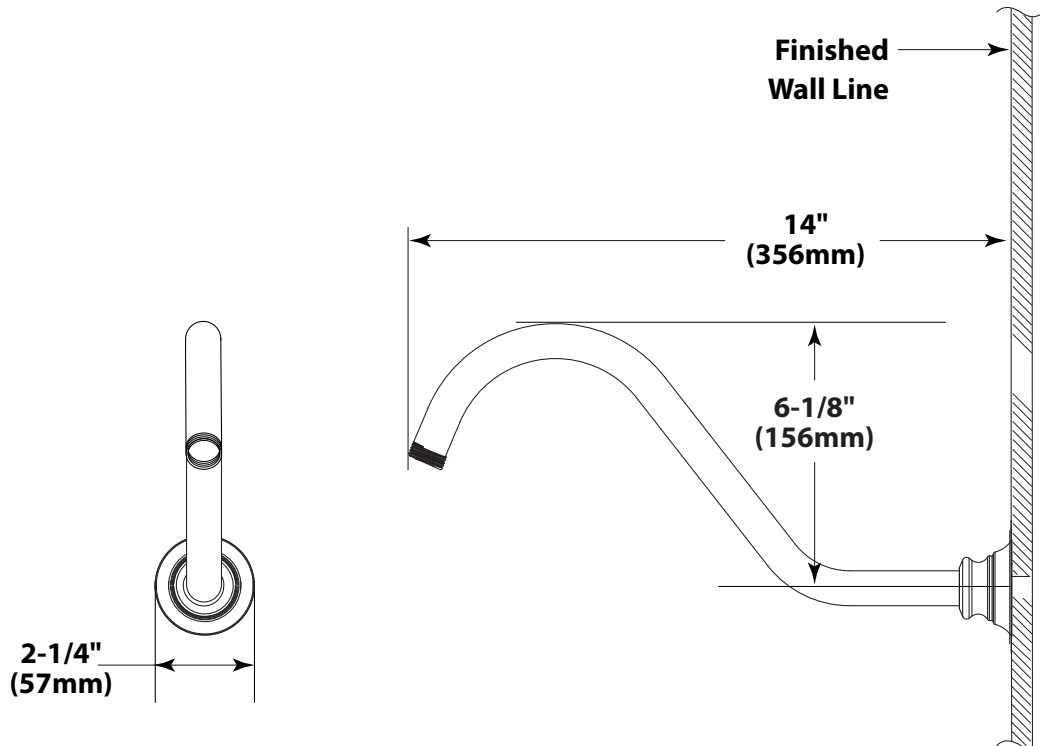
## WARRANTY

- Lifetime limited warranty against leaks, drips and finish defects to the original consumer purchaser
- 5 year warranty if used in commercial installations



## Shower Arm and Flange

Model: S113 series



## CRITICAL DIMENSIONS

(DO NOT SCALE)

FOR MORE INFORMATION CALL: 1-800-BUY-MOEN

[www.moen.com](http://www.moen.com)