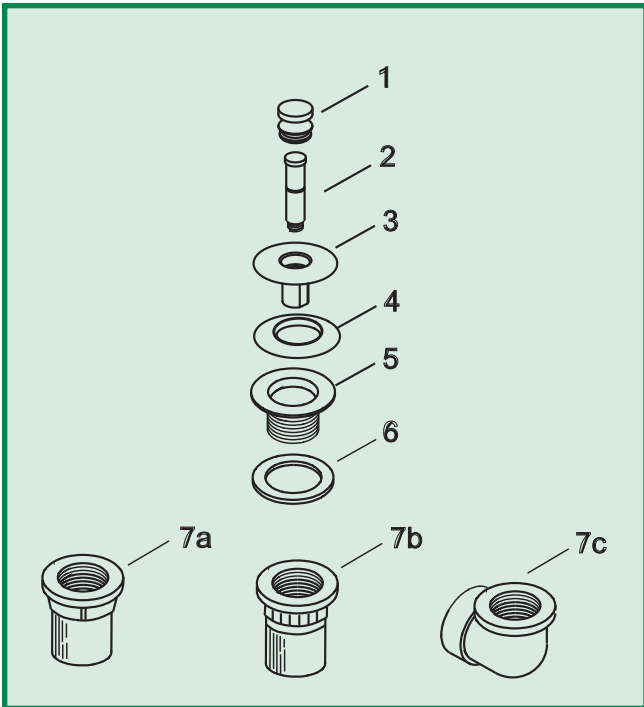


610/612/614 Series Parts List



Item	Part #	Description
1.	01010CP.....	PUSH PULL® Knob, Brass
2.	11510	Friction Ring (11505) and Post (11532)
3.	01013CP.....	Stopper, Brass
4.	11507.....	Seal, 1 1/16" dia.
5.	01016CP.....	Strainer Body, 1.865" - 11.5
6.	10696	Drain Ell Washer, 1.5" gray
For the 610:		
7a.	11608.....	Hub, Schedule 40, ABS
	11607.....	Hub, Schedule 40, PVC
For the 612:		
7b.	11610.....	Spigot, Schedule 40, PVC only
For the 614:		
7c.	11008.....	Drain Ell, Schedule 40, ABS
	14008	Drain Ell, Schedule 40, PVC

OPTIONAL TUB CLOSURES FOR 610/612/614-SERIES BATH WASTES (PUSH PULL® ALSO SHOWN ABOVE)

Diagram	Series	Part List	Diagram	Series	Part List	Diagram	Series	Part List
	PUSH PULL® Coarse Thread	1. 01010CP 01010__* 2. 11510 3. 01013CP 01013__* 4. 11507 5. 01016CP 01016__*		LIFT & TURN Coarse Thread	1. 01010CP 01010__* 2. 11079 3. 11088 4. 11290CP 01013__* 5. 11507 6. 11492CP 01016__*		PRESFLO® Coarse Thread	1. 11145CP 11145__* 2. 11132 3. 11060CP 11060__* 4. 96039: Suction Cup
	FOOT ACTUATED Coarse Thread	1. 38412CP 38412__* 2. 11492CP 01016__*						

U.S. Pat. No. 4,720,877

U.S. Pat. No. 5,758,368

U.S. Pat. No. 4,457,030

If finish other than Chrome is desired, please use this part number and indicate desired finish.