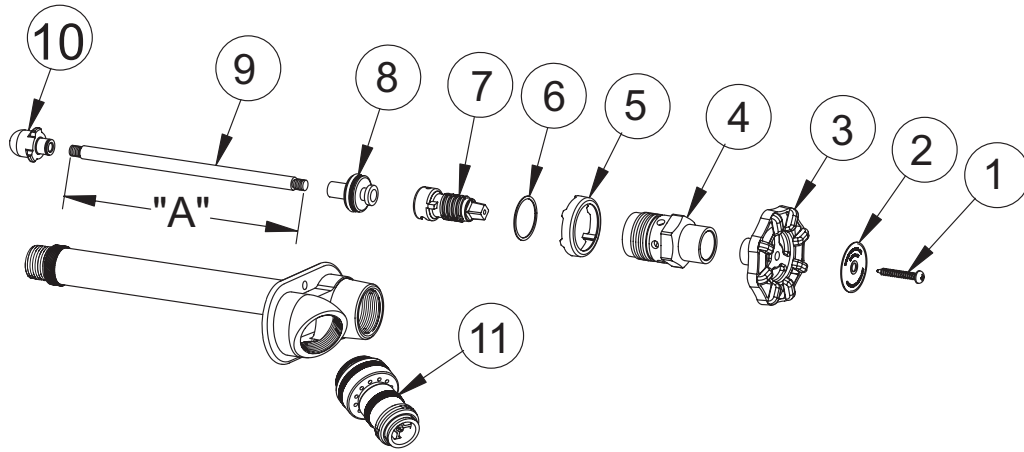
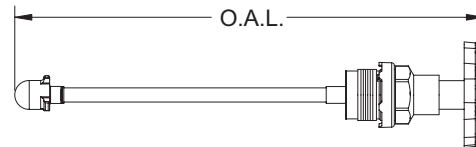


WOODFORD



MODEL 27 PARTS LIST

ITEM	PART#	DESCRIPTION
1	30234	Handle Screw
2	30439	I.D. Ring - Model 27
3	30239	Wheel Handle - Metal
4	30241	Head Nut - Brass
5	30236	Drain Guard
6	30245	Head Nut Gasket
7	30238	Stem Screw
8	35280	Drain Valve Assembly
9	303XX	Operating Rod (See Chart)
10	30230	Plunger Assembly
11	50HA-BR	Backflow Preventer
	RK-25	Repair Kit (Includes items 1, 3-8 & 10)



**OPERATING ROD ASSEMBLY
INCLUDES ITEMS 1 THRU 10**

Wall Thickness	Overall Length	Part No.
4	8"	35504
6	10"	35506
8	12"	35508
10	14"	35510
12	16"	35512
14	18"	35514
16	20"	35516
18	22"	35518
20	24"	35520
22	26"	35522
24	28"	35524

OPERATING ROD DIM "A"

Wall Thickness	Length	Part No.
4	4-7/16"	30304
6	6-7/16"	30306
8	8-7/16"	30308
10	10-7/16"	30310
12	12-7/16"	30312
14	14-7/16"	30314
16	16-7/16"	30316
18	18-7/16"	30318
20	20-7/16"	30320
22	22-7/16"	30322
24	24-7/16"	30324



For more information contact...

WOODFORD MANUFACTURING COMPANY

2121 Waynoka Road, Colorado Springs, Colorado 80915 • Phone: (800) 621-6032 • Fax: (800) 765-4115
 To view our complete product line visit: www.woodfordmfg.com or email: sales@woodfordmfg.com

A Division Of WCM Industries, Inc.