



SERVICE PARTS LIST

BULLETIN NO.
54-49-2890

SPECIFY CATALOG NO. AND SERIAL NO. WHEN ORDERING PARTS				REVISED BULLETIN	DATE
M18™ JOBSITE RADIO					July 2015
CATALOG NO.	2890-20	SERIAL NUMBER	G91A	WIRING INSTRUCTION	

00 0

EXAMPLE:
Component Parts (Small #)
Are Included When Ordering
The Assembly (Large #).

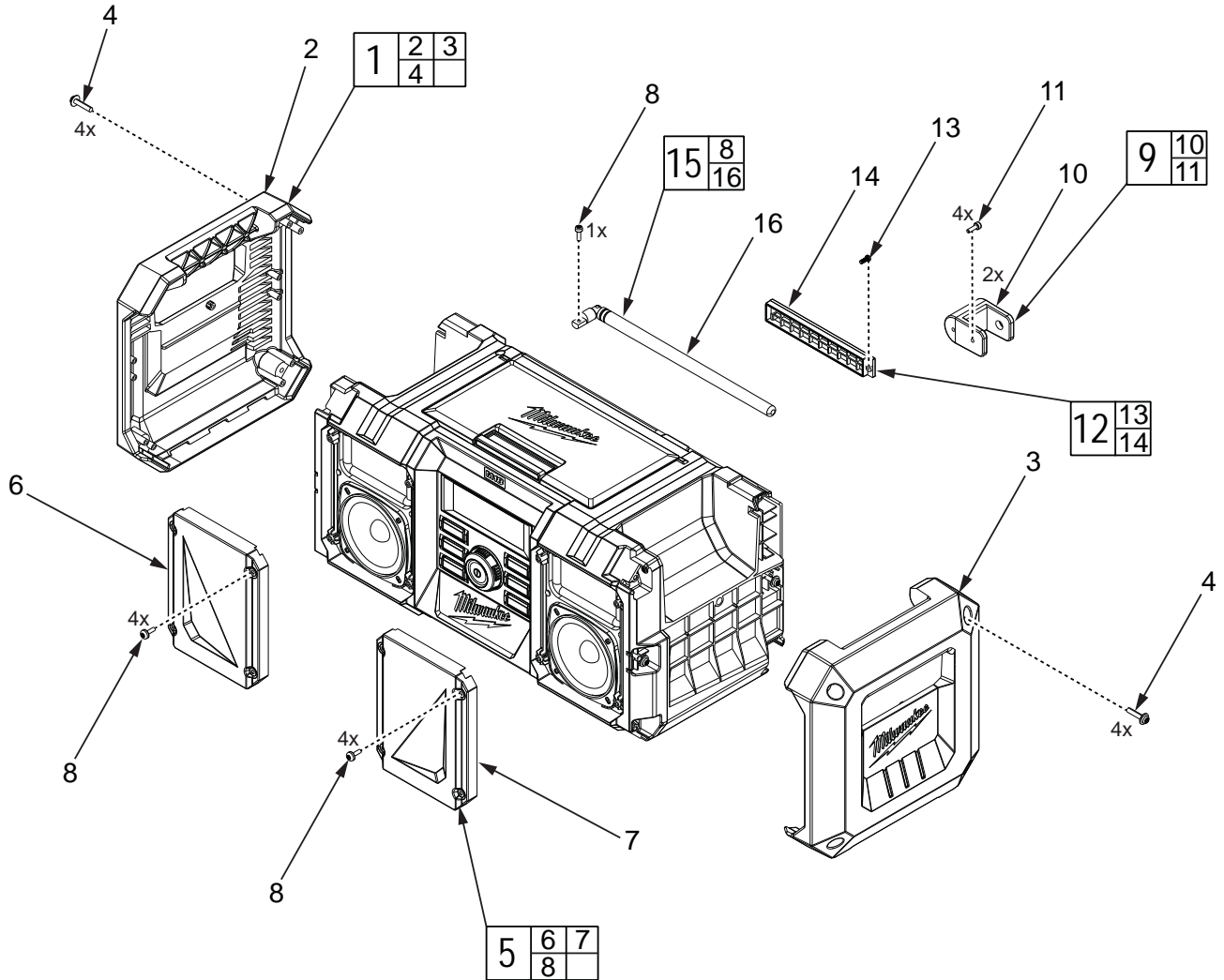


FIG.	PART NO.	DESCRIPTION OF PART	NO. REQ.
1	31-12-0005	End Caps Kit	(1)
2	-----	Left End Cap	(1)
3	-----	Right End Cap	(1)
4	-----	T-20 Torx Screw PWB 4x12	(8)
5	43-40-0005	Speaker Grill Kit	(1)
6	-----	Left Speaker Grill	(1)
7	-----	Right Speaker Grill	(1)
8	-----	T-10 Screw TB 3x9	(9)
9	42-38-0005	Cord Wrap Holder Kit	(1)
10	-----	Cord Wrap Holder	(2)
11	-----	T-10 Screw PWB 3x12	(4)
12	22-68-0350	Backup Battery Door Kit	(1)
13	-----	Screw PB 3x8	(1)
14	-----	Backup Battery Door	(1)
15	42-09-0525	Antenna Kit	(1)
16	-----	Antenna	(1)
17	12-20-2890	Service Nameplate (not shown)	(1)

FIG. 17 NOTES
A clean, dry surface is essential for proper performance for any adhesive system. The area intended for application of any adhesive label or nameplate must be prepared by cleaning with isopropyl alcohol. The solvent is to be applied with a clean, lint free applicator and the surface allowed to dry before applying the label or nameplate.