



www.Source1Parts.com

2 STAGE - VARIABLE SPEED DOWNFLOW/HORIZONTAL HIGH EFFICIENCY NATURAL GAS FURNACES - (94%)

HVAC SERVICE PARTS

Supersedes: 035-16458-002 Rev. C (0204)

035-16458-002 Rev. D (0404)

1 of 4

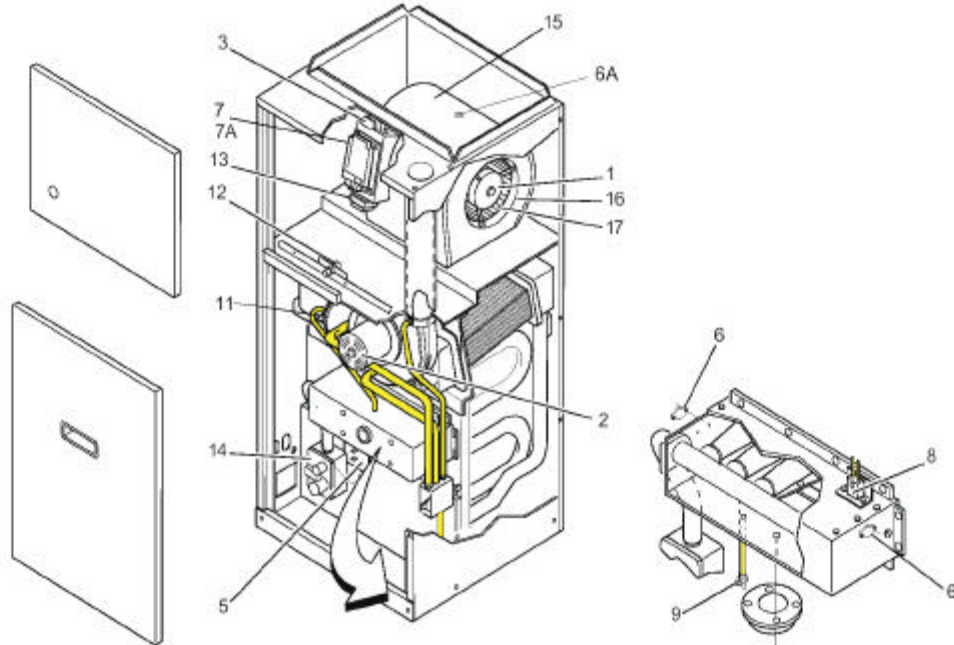


Figure 1: 2 STAGE-VARIABLE SPEED DOWNFLOW/HORIZONTAL NATURAL GAS FURNACES (94%)

FIG	ITEM	DESCRIPTION	P1XDB12V07501A	P1XDC20V09501A	P1XDD20V11201A
			G9V08012DHB11 A	G9V10020DHC11 A	G9V12020DHD11A
			(4 BURNER)	(5 BURNER)	(6 BURNER)
MOTORS					
1	1	MOTOR,DIRECT DRIVE BLOWER	024-31940-014	024-31941-020	024-31941-010
1	2	MOTOR,VENTOR ASS'Y	373-20717-002	373-20717-002	373-20717-002
ELECTRICAL					
1	3	CFM SELECTION BOARD	031-01955-000	031-01955-000	031-01955-000
*	4	CAPACITOR, VENTOR (4MFD/370V)	024-20084-000	024-20084-000	024-20084-000
1	5	CONTROL, HIGH LIMIT	025-29041-005	025-29041-005	025-29041-005
1	6	CONTROL,FLAME ROLL OUT	025-27792-001	025-27792-001	025-27792-001
1	6A	CONTROL, TEMPERATURE (Blower)	025-27747-009	025-27747-009	025-27747-009
1	7	CONTROL,FURNACE	031-01909-000	031-01909-000	031-01909-000
1	7A	FUSE (ARO 3)	025-32746-026	025-32746-026	025-32746-026
1	8	IGNITER	025-32625-000	025-32625-000	025-32625-000
1	9	SENSOR, FLAME	025-30788-000	025-30788-000	025-30788-000
	10				
1	11	SWITCH, AIR PRESSURE	024-32011-000	024-34539-000	024-32012-000
1	12	SWITCH, DOOR	024-31943-000	024-31943-000	024-31943-000
1	13	TRANSFORMER	025-30889-000	025-30889-000	025-30889-000
1	14	VALVE, GAS	025-35395-000	025-35395-000	025-35395-000
AIR MOVING					
1	15	PANEL, FILLER	063-93198-000	---	063-78006-000
1	16	HOUSING, BLOWER	373-18256-001	373-18256-002	373-18256-002
1	17	WHEEL, BLOWER	026-19654-009	026-19654-014	026-19654-014

NOTE: *Not Shown

New replacement parts shown in **bold** face type at the first printing of parts list dated 4/04

Major components and suggested stocking items are shown with shaded item number.

"<" Across from row indicates a change in that row.



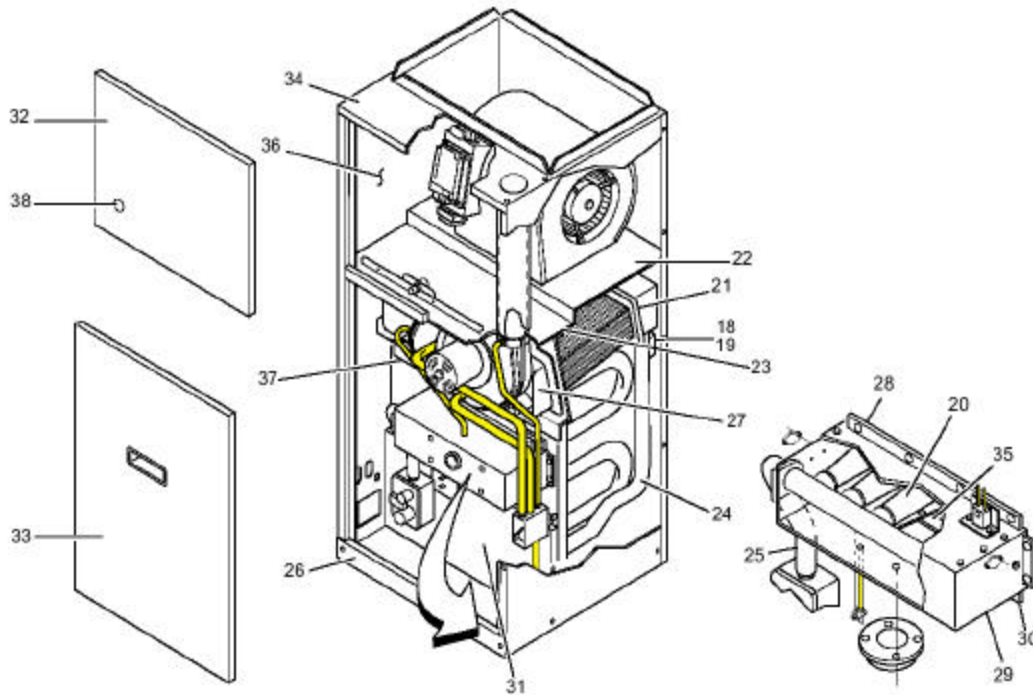


Figure 2: 2 STAGE-VARIABLE SPEED DOWNFLOW/HORIZONTAL NATURAL GAS FURNACES (94%)

FIG.	ITEM	DESCRIPTION	P1XDB12V07501A	P1XDC20V09501A	P1XDD20V11201A
			G9V08012DHB11	G9V10020DHC11	G9V12020DHD11
			A	A	A
			(4 BURNER)	(5 BURNER)	(6 BURNER)
FABRICATED PARTS					
2	18	BAFFLE, AIR (LH Recoup.Coil)	073-17989-012	073-17989-012	073-17989-012
2	19	BAFFLE, AIR (RH Recoup.Coil)	073-17989-011	073-17989-011	073-17989-011
2	20	BURNER, MAIN GAS	029-20482-000	029-20482-000	029-20482-000
2	21	COIL, SECONDARY HEAT EXCHANGER	373-17985-004	373-17985-005	373-17985-006
2	22	DECK, BLOWER (Rear)	073-22413-000	073-22414-000	073-22415-000
2	23	DECK, FRONT	073-22409-000	073-22410-000	073-22411-000
2	24	HEAT EXCHANGER ASS'Y (Primary)	373-19852-104	373-19852-105	373-19852-106
2	25	MANIFOLD, GAS	029-22130-004	029-22130-005	029-22130-006
2	26	PAN, BASE	073-17988-005	073-17988-006	073-17988-004
2	27	PAN, CONDENSATE	028-13324-000	028-13325-000	028-13326-000
2	28	PANEL, BURNER BOX (Bottom)	073-20822-000	073-20823-000	073-20824-000
2	29	PANEL, BURNER BOX (Front)	373-22155-003	373-22155-004	373-22155-005
2	30	WRAPPER, BURNER BOX	073-20723-000	073-20724-000	073-20725-000
2	31	COVER, HEAT EXCHANGER	073-17616-000	073-17617-000	073-17618-000
2	32	PANEL, FRONT (Blower)	073-17987-002	073-17987-003	073-17987-004
2	33	PANEL, FRONT (Burner)	073-17975-002	073-17975-003	073-17975-004
2	34	PANEL, TOP	073-17986-002	073-17986-003	073-17986-004
2	35	SUPPORT, BURNER	073-17456-000	073-17457-000	073-17458-000
2	36	WRAPPER, CABINET (P1X)	373-19860-402	373-19860-405	373-19860-404
		WRAPPER, CABINET (G9V)	373-19860-402	373-19860-403	373-19860-404
2	37	PANEL, VESTIBULE (Lower)	073-17971-010	073-17972-010	073-17973-010
2	38	PLUG, WINDOW, CLEAR - .875"	025-30899-000	025-30899-000	025-30899-000

NOTE: *Not Shown

New replacement parts shown in **bold** face type at the first printing of parts list dated 4/04.

Major components and suggested stockings items are shown with shaded item number.

"<" Across from row indicates a change in that row.



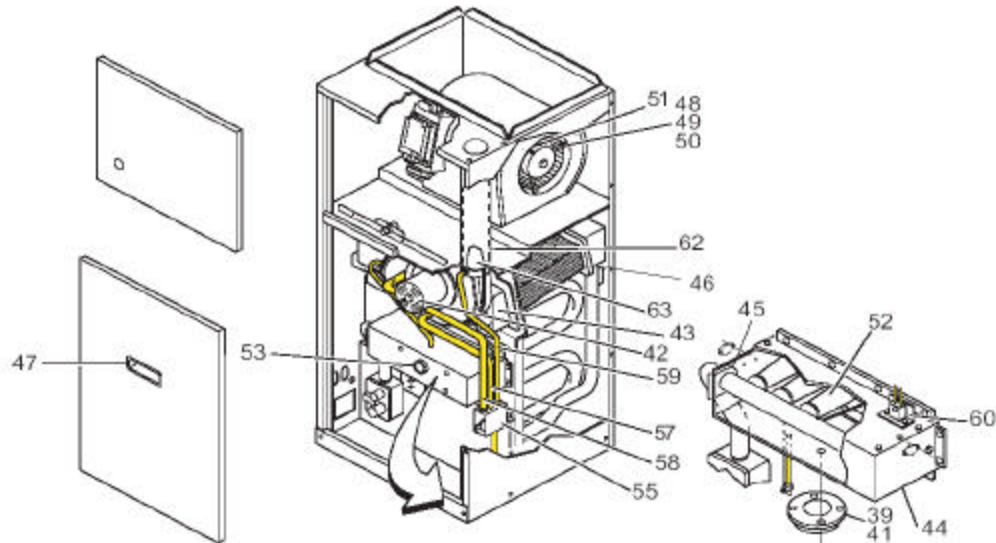


Figure 3: 2 STAGE-VARIABLE SPEED DOWNFLOW/HORIZONTAL NATURAL GAS FURNACES (94%)<

FIG.	ITEM	DESCRIPTION	P1XDB12V07501A	P1XDC20V09501A	P1XDD20V11201A
			G9V08012DHB11	G9V10020DHC11	G9V12020DHD11
			A	A	A
			(4 BURNER)	(5 BURNER)	(6 BURNER)
MISCELLANEOUS					
3	39	COLLAR, AIR INTAKE (Burner Box)	028-11289-000	028-11289-000	028-11290-000
*	40	FILTER, AIR	026-23050-004	026-23050-004	026-23050-004
		FILTER SIZE	(1 X 14 X 20)	(1 X 14 X 20)	(1 X14 X 20)
3	41	GASKET, AIR INTAKE	028-12460-001	028-12460-001	028-12460-002
3	42	GASKET, COMBUSTION BLOWER	028-12498-000	028-12498-000	028-12498-000
3	43	GASKET, CONDENSATE PAN	028-12458-002	028-12458-003	028-12458-004
3	44	GASKET, BURN BOX TO VEST PANEL	028-12459-003	028-12459-004	028-12459-005
3	45	GROMMET, MANIFOLD SEAL	028-12465-000	028-12465-000	028-12465-000
3	46	GASKET, RETURN TUBE (1 Req'd) GASKET, RETURN TUBE (2 Req'd)	028-12461-000 ---	---	---
3	47	HANDLE, DOOR	029-22113-000	029-22113-000	029-22113-000
3	48	ISOLATOR, TUBE (3 Req'd)	028-09412-001	028-12088-001	028-12088-001
3	49	ISOLATOR, WASHER (3 Req'd)	028-09412-002	028-12088-002	028-12088-002
3	50	ISOLATOR,SLEEVE (3 Req'd)	028-09412-003	028-09412-003	028-09412-003
3	51	MOUNT, MOTOR	026-31459-000	026-31459-000	026-31459-000
3	52	ORIFICE, BURNER (Natural #45)	029-21182-045	029-21182-045	029-21182-045
3	53	PLUG,WINDOW CLEAR - 1.5"	025-37005-000	025-37005-000	025-37005-000
*	54	BRACKET, FILTER	373-18262-001	373-18262-001	373-18262-001
3	55	TRAP, CONDENSATE	028-14723-000	028-14723-000	028-14723-000
*	56	DIAGRAM, WIRING	035-19644-001	035-19644-001	035-19644-001
3	57	HOSE,INDUCER DRAIN	028-13307-000	028-13307-000	028-13307-000
3	58	HOSE, RAIN GUTTER DRAIN	028-13308-000	028-13308-000	028-13308-000
3	59	HOSE, CONDENSATE DRAIN	028-13306-000	028-13306-000	028-13306-000
3	60	BRACKET, IGNITER	073-17403-000	073-17403-000	073-17403-000
*	61	HOSE,CONDENSATE TRAP	028-13309-004	028-13309-004	028-13309-004
3	62	PIPE, EXHAUST (Outer)	026-35453-004	026-35453-004	026-35453-004
3	63	PIPE, EXHAUST VENT (Inner)	028-13298-000	028-13298-000	028-13298-000
*	64	TUBE,DRAIN INDUCER	028-13339-001	028-13339-001	028-13339-001
*	65	TUBE,DRAIN INDUCER	028-13339-002	028-13339-002	028-13339-002
*	66	TUBE,DRAIN RAIN GUTTER	028-13340-000	028-13340-000	028-13340-000
*	67	TUBE,DRAIN CONDENSATE PAN	028-13341-000	028-13341-000	028-13341-000
*	68	HARNESS, MOTOR WIRING (16 Pin)	373-22382-001	373-22382-001	373-22382-001

NOTE: *Not Shown

New replacement parts shown in **bold** face type at the first printing of parts list dated 4/04.

Major components and suggested stockings items are shown with shaded item number.

"<" Across from row indicates a change in that row.



FIELD INSTALLED ACCESSORIES- NON-ELECTRICAL		
MODEL NO.	DESCRIPTION	USED WITH
1NP0480	PROPANE (LP) CONVERSION KIT	ALL MODELS
1SR0302	EXTERNAL SIDE FILTER RACK (6 PACK)	ALL MODELS
1CT0302	CONCENTRIC INTAKE/VENT 2"	75 & 95 MBH MODELS
1CT0303	CONCENTRIC INTAKE/VENT 3"	112 MBH MODELS
1BR0317	EXTERNAL BOTTOM RETURN FILTER RACK WITH HIGH VELOCITY FILTER	ALL 17-1/2" ("B") UNITS
1BR0321		ALL 21" ("C") UNITS
1BR0324		ALL 24-1/2" ("D") UNITS
1PS0319	HIGH ALTITUDE PRESSURE SWITCH KIT (DOES NOT INCLUDE ORIFICES)	FOR APPLICATION INFORMATION SEE FORM 035-14460-000
1PS0320		
1PS0321		
1NK0301	CONDENSATE NEUTRALIZER KIT	ALL MODELS

FIELD INSTALLED ACCESSORIES- ELECTRICAL		
MODEL NO.	DESCRIPTION	USED WITH
2ET03700024	THERMOSTAT: Hardwired, 2 HT/2 CL. Programmable, Auto changeover. System switch: Heat-Off-Cool. Fan switch: Auto On	ALL P1X MODELS
6ET03700024		ALL G9V MODELS
2ET0770010124	YORK EHC-2C T8524 Non-Programmable Station	ALL P1X MODELS
2ET03700324	THERMOSTAT-Hardwired, 1 Heat/1 Cool. Manual changeover, System: Cool-Off-Heat. Fan switch: Auto-On.	ALL P1X MODELS
6ET03700324		ALL G9V MODELS
2ET03701224	THERMOSTAT-Power Stealing, 1 Heat / 1 Cool. Manual changeover, system: Cool-Off-Heat. Fan switch: Auto-On.	ALL P1X MODELS
6ET03701224		ALL G9V MODELS
2ET03700124	THERMOSTAT-Hardwired, 1 Heat / 1 Cool. Programmable, Auto changeover, System switch: Heat-Off-Cool Fan switch: Auto-On.	ALL P1X MODELS
6ET03700124		ALL G9V MODELS
2ET03701024	THERMOSTAT-Power Stealing, 1 Heat / 1 Cool. Programmable, Auto changeover. System switch: Cool-Off-Heat. Fan switch: Auto-On.	ALL P1X MODELS
6ET03701024		ALL G9V MODELS
6ET0770010124	THERMOSTAT-Hardwired, 2 Heat / 2 Cool. Programmable, Auto changeover. System switch: Cool-Off-Heat. Fan switch: Auto-On	ALL G9V MODELS

TO ORDER AUTHORIZED FACTORY REPLACEMENT PARTS - Contact your Source1 HVAC Parts Distributor or visit our website at www.Source1Parts.com for a Distributor and Dealer listing.