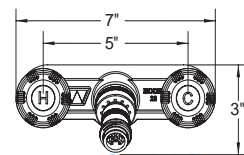
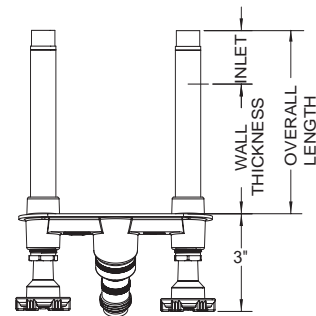


**RK-PRV
DIMENSION "A"**

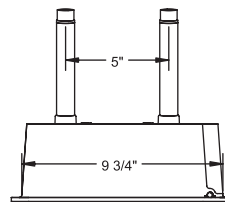
Wall Thickness	Length
4	5 7/8"
6	7 7/8"
8	9 7/8"
10	11 7/8"
12	13 7/8"
14	15 7/8"
16	17 7/8"
18	19 7/8"
20	21 7/8"
22	23 7/8"
24	25 7/8"

MODEL C22 & B22 PARTS LIST

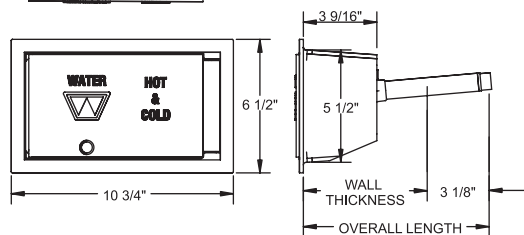
ITEM	PART#	DESCRIPTION
1	30463	Plug Button-H-Red (for plastic handle)
1a	30566	Plug Button-H-Red (for metal handle) <i>Optional</i>
2	30002	Handle Screw (2)
3	30542	Wheel Handle - Clear (2)
3a	30096	Wheel Handle - Metal (2) <i>Optional</i>
4	30539	Packing Nut - Chrome (2)
4a	30059	Packing Nut - Brass (2) <i>Optional</i>
5	30560	EPDM Packing (2)
6	30006	Packing Support Washer
7	30462	Plug Button-C-Blue (for plastic handle)
7a	30565	Plug Button-C-Blue (for metal handle)
8	RK-PRV	PRV Valve Stem Assembly (See chart)
9	30459	Check Valve (2)
10	30008	Valve Seat Rubber (2)
11	30804	Retainer Screw (2)
12	50HA-CH	50HA Backflow Preventer - Chrome
	50HA-BR	50HA Backflow Preventer - Brass
13	50012	Tee Key
	RK-PT	Push To Turn Repair Kit
	RK-22MH	Repair Kit (Metal Handles) Includes
	Brass Parts	1 ea: Item 1a, 7a, 2 ea: Items 2, 3a, 4a, 5, 6, 9, 10, 11



**Model C22
Rough-In Dimensions**



**Model B22
Rough-In Dimensions**



*Overall Length Dimension:

C22: Add wall thickness and inlet option length shown in chart on front of this sheet.

B22: Add wall thickness plus 3 1/8".

C22CC: Close Coupled O.A.L. is 2-3/4".

B22CC: Close Coupled O.A.L. is 6 1/8"

INSTALLATION REQUIREMENTS:

- The faucet length used is to be comparable to what would be used with standard freezeless faucets.
- The inlet connection must be located in a heated area.
- The gap between the house and faucet must be sealed to prevent air leaks
- The faucet must be installed with a slight downward pitch toward the nozzle.
- Adequate insulation is required around the faucet, wall board and sill plate.

Ask your Woodford representative about warranty details or visit www.woodfordmfg.com.

For more information contact...

WOODFORD MANUFACTURING COMPANY

2121 Waynoka Road, Colorado Springs, Colorado 80915 • Phone: (800) 621-6032 • Fax: (800) 765-4115

To view our complete product line visit: www.woodfordmfg.com or email: sales@woodfordmfg.com

A Division Of WCM Industries, Inc.