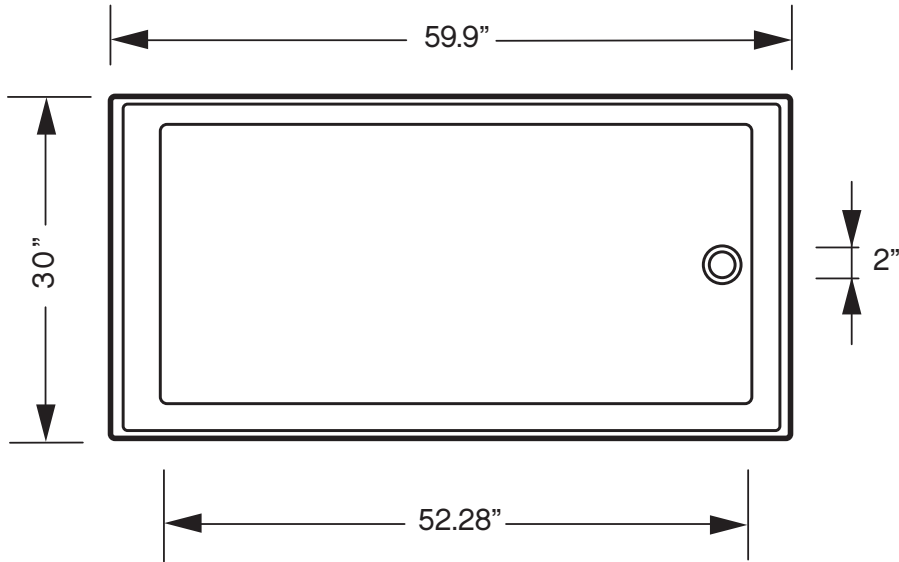
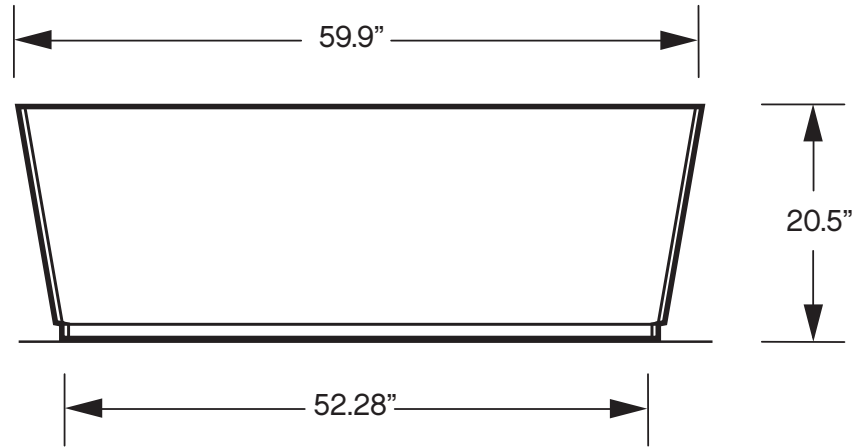
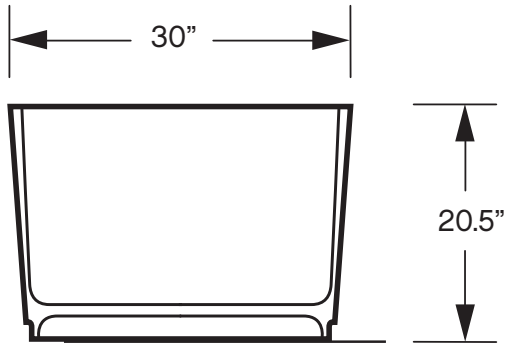


# CLARKE

ARCHITECTURAL



## SPARTAN

LENGTH	59.9"	CAPACITY	99 Gallons
WIDTH	30"	DRAIN	Offset
HEIGHT	20.5"	MODEL #	CA6030FS-01