

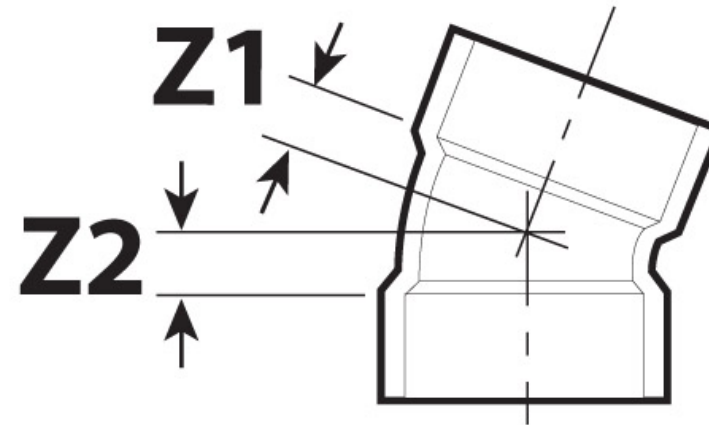


Submittal Sheet

Part Description:
 1-1/2" ABS DWV 1/16 or 22-1/2 Degree Bend
 or Elbow H X H

Part Number:
 102551

Approvals and Listings maintained by:
 Canplas Industries Ltd
 Canada: 1-800-461-5300 USA: 1-888-461-5307



ASTM



Part #	Part UPC	Colour	Size (inches)	Ctn Qty	Ctn Bar Code	Ctn. Wt (Kgs)	Ctn. Wt (lbs)	Skid Cubic (m)	Skid Cubic (ft)	Ctns/Skid
102551	662671101259	BLACK	1-1/2X1-1/2	75	10662671101256	3.84	8.45	1.79	63.37	72

Dimensions (inches)

Z1	Z2
0.50	0.50