



Warming Shelf #0200, #0210

Installation Instructions for the Encore NC Model 1450 Defiant NC Model 1610

Contents:

| | |
|--|-------------------------|
| 1, Warming Shelf (#0210) | 30002823, Defiant NC or |
| 1, Warming Shelf (#0200)..... | 30002477, Encore NC |
| 2, Mittenracks | 1601705 |
| 1, Bracket, Right..... | 30002479 |
| 1, Bracket, Left | 30002478 |
| 1, Bracket, Dragon | 1302220 |
| 2, Cap Screw 1/4"-20 x 1/2" hex head | 1201338 |
| 3, Cap Screw 1/4"-20 x 5/8" hex head | 1201372 |
| 3, Washers | 1202473 |
| 4, SS, Soc 1/4"-20 x 7/16 | 1200422 |
| 1, 1/8" Allen Wrench | |

Tool Required:

7/16" open-end wrench

Warming Shelves add versatility to your stove; they keep foods warm at mealtime, and provide a convenient spot to store a kettle or pan when you top-load your stove.

The Warming Shelf is designed to hold up to 30 pounds. However, always place objects on a shelf carefully to avoid sudden impact. Containers left on the shelves or on the stove for long periods of time should have water in them to prevent damage from overheating.

Take special care with stoves and shelves that are enamelled, to avoid chipping the finish.

Each Shelf includes a pair of nickel-plated mittenracks that are ideal for drying damp mittens, socks, dish towels, etc. Do not leave combustible items unattended on the shelves or mittenracks for extended periods of time, however, as they may overheat.

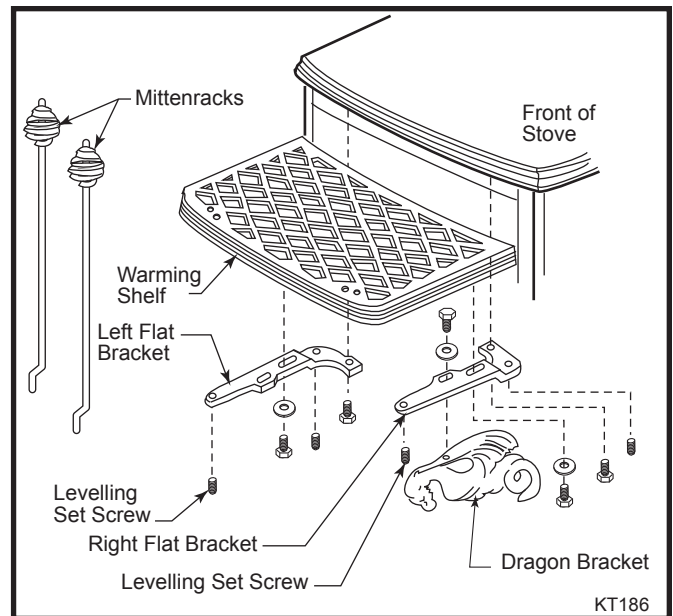


Fig. 1 Warming shelf parts.

The Shelf installation is completed in three stages. Attach the two brackets loosely to the stove, leaving the screws loose enough to allow final adjustments. Then, position the shelf and adjust the brackets so the shelf fits correctly. Finally, tighten the screws.

Part 1. Attach the Brackets and the Shelf

1. Screw the levelling set screws into the bottom of the flat brackets as shown in Figure 1.
2. Screw the flat brackets to the stove. Pass a 1/4"-20 x 1/2" hex-head cap screw up through each bracket and into the threaded hole in the stove's top plate. (Fig. 2) Tighten the screws enough to secure the brackets, but keep them loose enough for the brackets to move slightly.

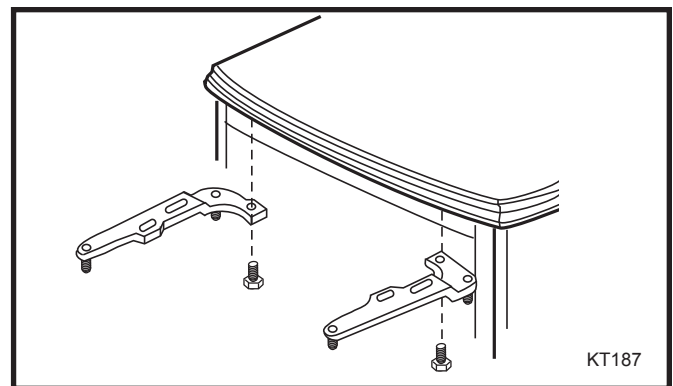


Fig. 2 Attach brackets to threaded holes in top plate.

3. Attach the dragon bracket to the flat bracket at the front of the stove using a flat washer under the head of a 1/4"-20 x 5/8" screw. (Fig. 3) Tighten the screw only finger-tight.

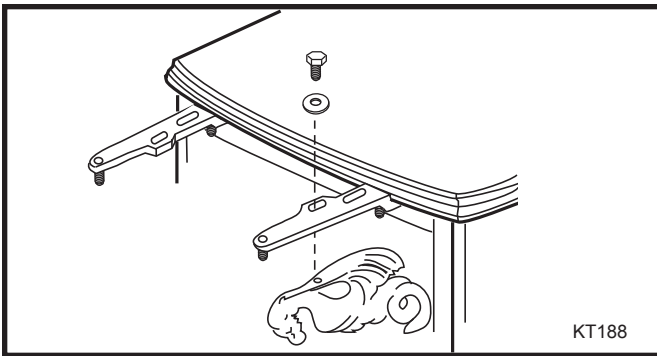


Fig. 3 Attach dragon bracket to front flat bracket. There is a groove on the underside of the flat bracket. Position the flat bracket so the top of the dragon bracket will fit in the groove. (Fig. 4)

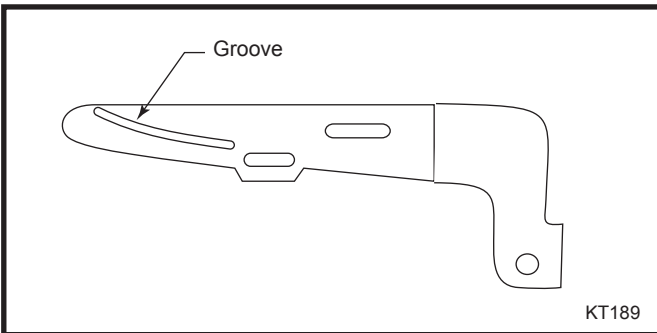


Fig. 4 Groove on underside of flat bracket.

- Secure the shelf to the flat brackets with 1/4-20 x 5/8" screws, with a flat washer under the head of each screw. Finger tight is tight enough.

Part 2. Position the Shelf and Tighten the Screws

- Adjust the shelf so there is a small, even gap between the edge of the stove top and the shelf. Especially with enamelled stoves, leave a gap to avoid chipping the finish.

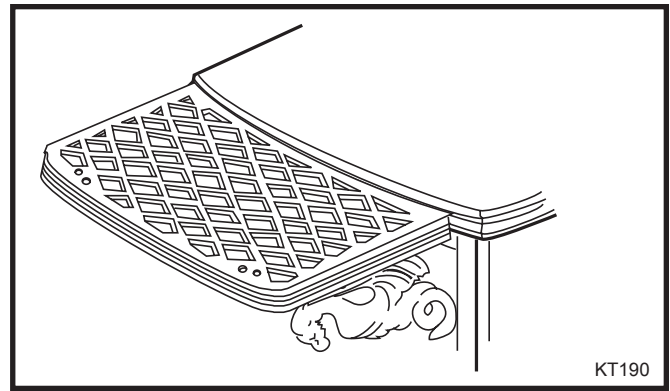


Fig. 5 Warming shelf in place.

- Level the shelf by raising or lowering the outside edge gently. Move the dragon bracket toward the stove until it just touches the side of the stove. The dragon bracket will hold the shelf level. Tighten the screws holding the shelf to the flat brackets. Adjust set screws as necessary to further level the shelf.

Be sure the top of the dragon bracket is in the groove on the underside of the flat bracket. (Fig. 4)

Encore NC: The dragon's tail should be to the rear of the raised molding on the side plate of the stove. Tighten the screw while holding the shelf level.

Defiant NC: The dragon's tail should rest on the flat surface between the raised molding and the front edge of the stove. Tighten the screw while holding the shelf level.

- Position the shelf so the indentation on its bottom fits on the raised bead on the top of the flat bracket. Tighten the screws holding the flat brackets to the stove with a 7/16" wrench. If the shelf does not stay in position while you tighten the screws, remove it from the stove and start over.

Insert the mitten racks by passing their crooked ends downward through the holes in the outside edge of the shelf. The mitten racks will hang vertically until you are ready to use them. For use, slide them upward until their crooked ends meet the underside of the shelf and then position the racks horizontally.

NOTE: Check the installation occasionally by gently striking the outside edge of the shelf with the heel of your hand. If the shelf is loose, tighten the screws a little. Check all screws for tightness every six months or any time the shelf feels loose.

MHSC

149 Cleveland Drive • Paris, Kentucky 40361
www.mhsc.com