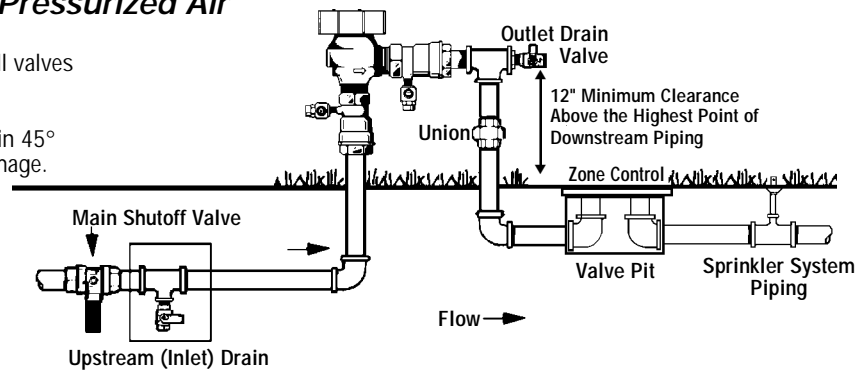


FREEZE PROTECTION GUIDELINES

Purging of a PVB Assembly with Pressurized Air

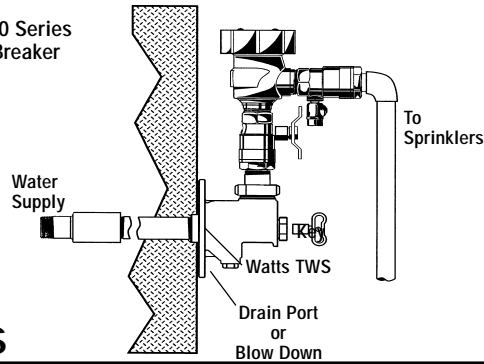
1. Close main shutoff valve.
2. Open upstream drain, test cocks and isolation ball valves to depressurize line.
3. Purge with pressurized line.
4. Leave test cocks and isolation ball valve handles in 45° angle to drain ball valves and prevent casting damage.



TYPICAL INSTALLATION

Using TWS Hydrant

TWS with Watts 800 Series Pressure Vacuum Breaker



Note: PVB's must be installed a minimum of 12" (305mm) above the highest point of water in the sprinkler system.

SERVICE AND REPLACEMENT PARTS

Internal parts can be removed, repaired or inspected without removing the valve from the piping.

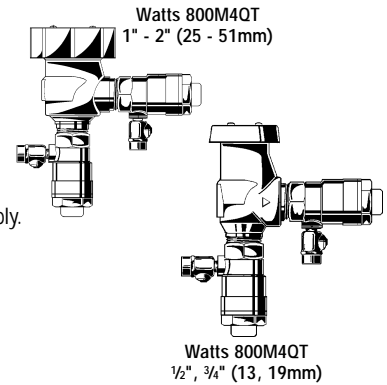
Disassembly

1. Shut off the supply pressure and drain the valve.
2. Remove the two hood screws and the hood.
3. Place a wrench on the parallel flats of bonnet and stem assembly. Turn counter clockwise and remove.
4. Remove the vent assembly.
5. Press down on the spring retainer and disengage it from the retaining lugs. Then turn 90° and remove.
6. Remove the spring retainer and spring. Note that the large diameter of the spring is down on the guide assembly.
7. Remove the check disc holder and guide assembly.
8. Disassemble the check disc holder assembly.

Reassembly

Reassemble in the reverse order utilizing the new parts from the repair kit.

800M4 REPAIR KITS



Ordering Code	Model	Size	
		in	mm
Check Kits			
887703	*RK 800M4 CK	1/2, 3/4	15, 20
887704	*RK 800M4 CK	1	25
887705	*RK 800M4 CK	1 1/4 - 2	32 - 50

Kits consist of: Check disc assembly (disc & disc holder), Bonnet O-ring and Check Spring.

Vent Float Kits

887709	RK 800M4 V	1/2, 3/4	15, 20
887710	RK 800M4 V	1	25
887711	RK 800M4 V	1 1/4 - 2	32 - 50

Kits consist of: Float vent disc assembly (vent float, seal & spring) and Bonnet O-ring.

Freeze Protection Float Kit

887725	RK 800M4 FRV	1/2, 3/4	15, 20
887715	RK 800M4 FRV	1	25
887716	RK 800M4 FRV	1 1/4 - 2	32 - 50

Kit consists of: Float, vent spring and Bonnet O-ring.

Bonnet Assembly Kits

887700	RK 800M4 B	1/2, 3/4	15, 20
887701	RK 800M4 B	1	25
887702	RK 800M4 B	1 1/4 - 2	32 - 50

Kits consist of: Bonnet, Bonnet O-ring, Vent spring, hood & hood screws.

For Retrofit of Models M2 & M4 to M4FR			
Ordering Code	Model	Size	
		in	mm
887726	Retro 800M4 FR	1/2, 3/4	15, 20
887717	Retro 800M4 FR	1 1/4 - 2	32 - 50

Kits consist of: Float, spring, Bonnet and Bonnet O-ring.

Ordering Code	Model	Size	
		in	mm
Rubber Parts Kits			
887706	RK 800M4 RT	1/2, 3/4	15, 20
887707	RK 800M4 RT	1	25
887708	RK 800M4 RT	1 1/4 - 2	32 - 50

Kits consist of: Vent disc, Check disc and Bonnet O-ring.

Seat Kits

887712	RK 800M4 S	1/2, 3/4	15, 20
887713	RK 800M4 S	1	25
887714	RK 800M4 S	1 1/4 - 2	32 - 50

Kits consists of: Seat, Seat O-ring and Bonnet O-ring.

Note: *Fits 800M4 FR Model

Watts reserves the right to change or modify product design, construction, specifications, or materials without prior notice and without incurring any obligation to make such changes and modifications on Watts products previously or subsequently sold.