

Cast Centerset Faucets 4" Centers

TECK®

DELTA
COMMERCIAL

Specification: (example)

- **HEAVY DUTY CAST BRASS** centerset faucet
 - 102mm (4") centers, two handle
 - Polished chrome plated finish with polished underspout
 - Metal hold-down package
 - Color indexed metal handles with vandal resistant screws
- and ... with ... (add **CER-TECK™** 1/4 turn ceramic structures or **TUF-TECK™** compression structures)
- with ... (add product variation required)
- with ... (add outlet required)
- with ... (add handle required)

Synergy®



21C143
21T143



21C144
21T144

Engineer/Architect Approval


















Model Specified:

Approval:

Date:

DESCRIPTION	PRODUCT NO.			
	4" Centerset Faucet	CER-TECK™	21C	
	TUF-TECK™	21T		



PRODUCT VARIATION	OUTLET	HANDLE
0 <input type="checkbox"/>	0 <input type="checkbox"/>	0 <input type="checkbox"/>
1 Standard Product Less Pop-up (No Pop-up Hole) <input type="checkbox"/> 	1 Vandal Resistant 1.9 USGPM (7.2 L/min.) Flow Control Rosespray <input type="checkbox"/> 	1 Five Flute Handles <input type="checkbox"/> 
2 Standard Product With Cast Pop-up <input type="checkbox"/> 	2 Vandal Resistant 1.5 USGPM (5.7 L/min.) Laminar w/Antimicrobial By AgION™ <input type="checkbox"/> 	2 102mm (4") Hooded Blade Handles <input type="checkbox"/> 
3 Standard Product with Cast Open Grid Strainer (No Pop-up Hole) <input type="checkbox"/> 	3 Vandal Resistant 1.5 USGPM (5.7 L/min.) Flow Control Aerator <input type="checkbox"/> 	3 76mm (3") Lever Blade Handles <input type="checkbox"/> 
4 Standard Product With Cast Offset Open Grid Strainer (No Pop-up Hole) <input type="checkbox"/> 	4 Standard 1.5 USGPM (5.7 L/min.) Flow Control Aerator <input type="checkbox"/> 	4 102mm (4") Blade Handles, Sanitary Hoods <input type="checkbox"/> 
5 Standard Product With Chain Stay Less Plug & Chain <input type="checkbox"/> 	5 Vandal Resistant 0.5 USGPM (1.9 L/min.) Flow Control Non-Aerating Spray Outlet <input type="checkbox"/> 	5 152mm (6") Wrist Handles, Sanitary Hoods <input type="checkbox"/> 
6 <input type="checkbox"/>	6 <input type="checkbox"/>	6 <input type="checkbox"/>
7 <input type="checkbox"/>	7 <input type="checkbox"/>	7 <input type="checkbox"/>
8 <input type="checkbox"/>	8 <input type="checkbox"/>	8 76mm (3") Self-Closing Lever Blade Handles <input type="checkbox"/> 
9 <input type="checkbox"/>	9 <input type="checkbox"/>	9 Five Flute Self-Closing Handles <input type="checkbox"/> 

See Series 27C4, 27C5, 27T4, & 27T5 for 4" Gooseneck Spout Centersets. Refer to www.specselectonline.com for individual models.

Flowrates are at 60 PSI. Note: Use this page front and back as a product submittal sheet.

Delta reserves the right (1) to make changes in specifications and materials, and (2) to change or discontinue models, both without notice or obligation. Dimensions are for reference only. See current full-line price book or www.specselectonline.com for finish options and product availability.

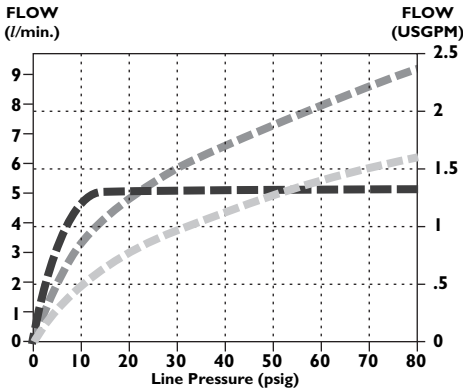
Approvals:

- CSA certified
- Complies to ASME A112.18.1
- Lever Blade Handle No. 2, 3, 4 and 5, ADA Compliant and meet Handicapped Accessibility Standard ASME A117.1 of less than 5 lbs. operating force.
- IAPMO listed

(Contact Delta Representative for State and/or Local Approvals.)

FLOWRATE vs PRESSURE

Outlet Flowrates



Spout Outlets

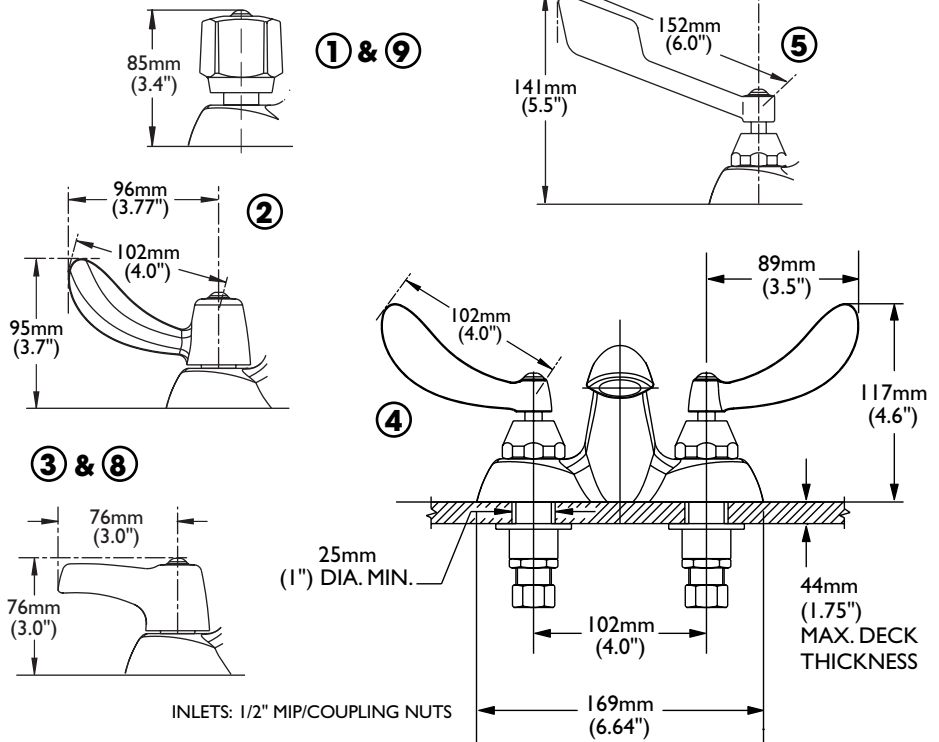
- No. 0 Aerator
- No. 2 Laminar Flow Outlet
- No. 3 & 4 Aerator

CAST SPOUT OUTLET NO.	"D"	
	mm	in.
1	19	0.75
2	11	0.45
3	11	0.45
4	11	0.45
5	11	0.45

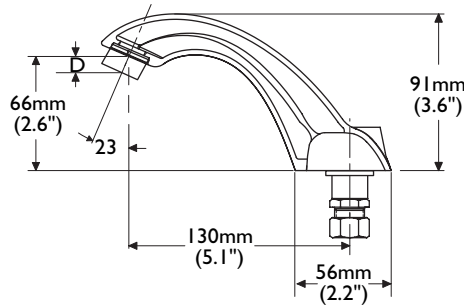
INLETS - 1/2" MIP/Coupling Nuts

Note: Measurements may vary ± 6mm (0.25")

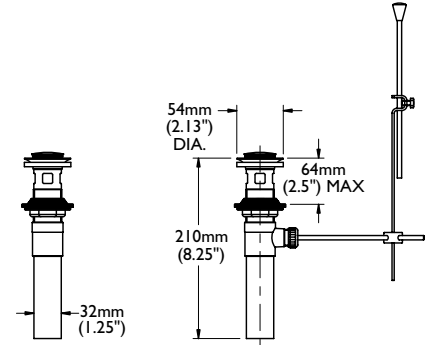
FRONT VIEW



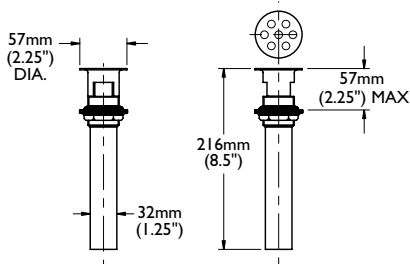
SIDE VIEW



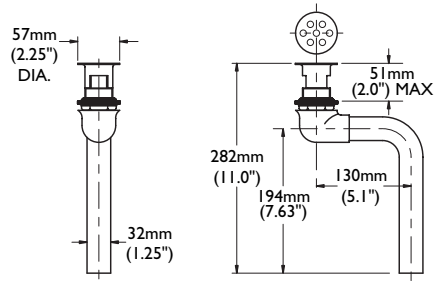
CAST POP-UP (supplied with Product Variation 2)



OPEN GRID STRAINER (supplied with Product Variation 3)



OFFSET OPEN GRID STRAINER (supplied with Product Variation 4)



Single Control Cast Lavatory Faucet

TECK®

DELTA
COMMERCIAL

Specification: (example)

- **CAST BRASS** centerset faucet
- Single control, 102mm (4") centers
- Polished chrome plated finish
- Ceramic cartridge with rotational limit stop
- Metal hold-down package
- Vandal resistant 89mm (3 1/2") ADA compliant lever handle with color index and ... with ... (add product variation required) with ... (add outlet required)



Specification: (example)

- **CAST BRASS** single control lavatory faucet
- Single hole mount Metal hold-down package
- Polished chrome plated finish
- Ceramic cartridge with rotational limit stop
- Vandal resistant 89mm (3 1/2") ADA compliant lever handle with color index, and ... with ... (add product variation required) with ... (add outlet required)

Engineer/Architect Approval













Model Specified:

Approval:

Date:

DESCRIPTION	PRODUCT NO.					
Single Control Centerset Faucet	22C			I		For Chrome
	22C			I	-SS	For Brilliance® Stainless Steel



PRODUCT VARIATION	OUTLET	HANDLE
0 102mm (4") Centerset Less Pop-up (with Pop-up hole) <input type="checkbox"/> 	0 Vandal Resistant Outlet (Wrench Flats) 2.2 USGPM (8.3 L/min) <input type="checkbox"/> 	0 <input type="checkbox"/>
1 102mm (4") Centerset Less Pop-up (No Pop-up hole) <input type="checkbox"/> 	1 <input type="checkbox"/>	1 89mm (3-1/2") ADA Compliant Lever Handle <input checked="" type="checkbox"/> 
2 102mm (4") Centerset with 50/50 Pop-up <input type="checkbox"/>	2 Vandal Resistant 1.5 USGPM (5.7 L/min.) Laminar w/Antimicrobial by AgION™ <input type="checkbox"/> 	2 <input type="checkbox"/>
3 102mm (4") Centerset with Metal Pop-up <input type="checkbox"/>	3 Vandal Resistant 1.5 USGPM (5.7 L/min.) Flow Control Aerator <input type="checkbox"/> 	3 <input type="checkbox"/>
4 102mm (4") Centerset with Open Grid Strainer (No Pop-up hole) <input type="checkbox"/> 	4 Standard 1.5 USGPM (5.7 L/min.) Flow Control Aerator <input type="checkbox"/> 	4 <input type="checkbox"/>
5 102mm (4") Centerset with Offset Open Grid Strainer (No Pop-up hole) <input type="checkbox"/> 	5 Vandal Resistant 0.5 USGPM (1.9 L/min.) Flow Control Non-Aerating Spray Outlet <input type="checkbox"/> 	5 <input type="checkbox"/>
6 Single Hole Mount Less Pop-up (No Pop-up hole) <input type="checkbox"/> 	6 <input type="checkbox"/>	6 <input type="checkbox"/>
7 Single Hole Mount with 50/50 Pop-up <input type="checkbox"/>	7 <input type="checkbox"/>	7 <input type="checkbox"/>
8 Single Hole Mount with Metal Pop-up <input type="checkbox"/>	8 <input type="checkbox"/>	8 <input type="checkbox"/>
9 Single Hole Mount with Open Grid Strainer (No Pop-up hole) <input type="checkbox"/> 	9 <input type="checkbox"/>	9 <input type="checkbox"/>

Flowrates are at 60 PSI.

Refer to www.specselectonline.com for individual models.

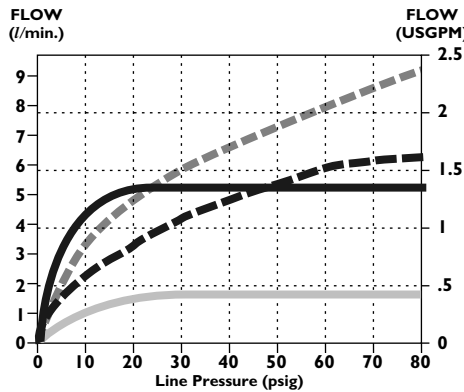
Note: Use this page front and back as a product submittal sheet.

Delta reserves the right (1) to make changes in specifications and materials, and (2) to change or discontinue models, both without notice or obligation. Dimensions are for reference only. See current full-line price book or www.specselectonline.com for finish options and product availability.

Approvals:

- CSA certified
 - Complies to ASME A112.18.1
 - Complies to ASME A112.18.6 for Flex Connector Models
 - ADA Compliant and meets Handicapped Accessibility Standard ASME A117.1 of less than 5 lbs. operating force.
 - IAPMO listed
- (Contact Delta Representative for State and/or Local Approvals.)

FLOWRATE vs PRESSURE

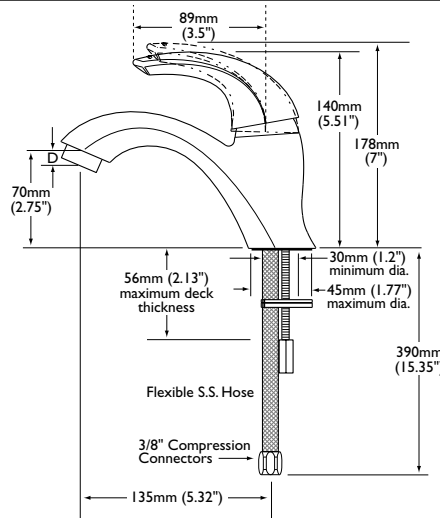


Spout Outlets

- No. 0 Aerator
- No. 3 & 4 Aerator
- No. 2 Laminar Flow Outlet
- No. 5 Low Flow Outlet

OUTLET NO.	"D"	
	mm	in.
0	7	0.28
2	11	0.45
3	11	0.45
4	11	0.45
5	11	0.45

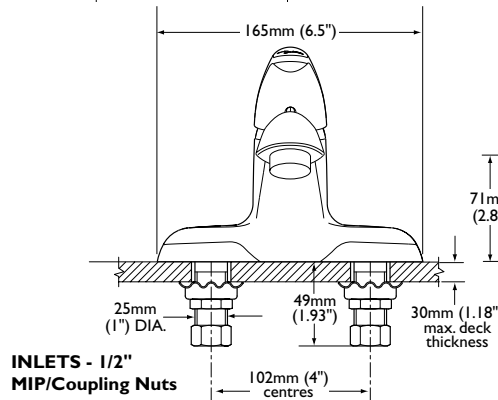
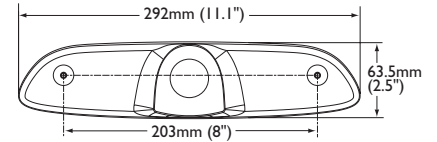
Note: Measurements may vary ± 6mm (0.25")



Available Option for Field Conversion

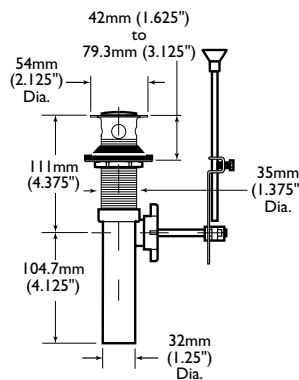
060552A

8" Forged CP Brass Coverplate for use with 22C6, 22C7, 22C8 and 22C9 Reduces max deck thickness to 38mm (1.5")

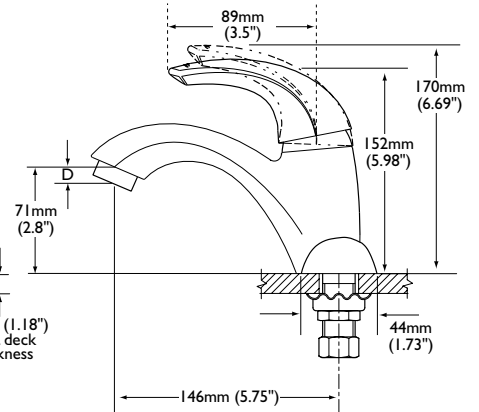
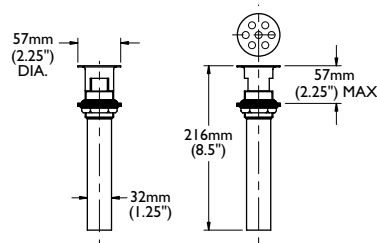


INLETS - 1/2" MIP/Coupling Nuts

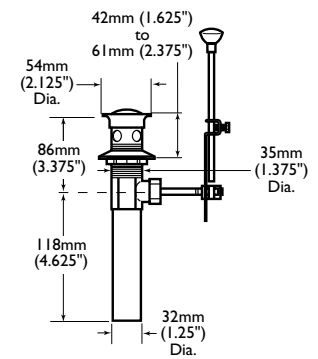
50/50 POPUP
(supplied with Product Variation 2 and 7)



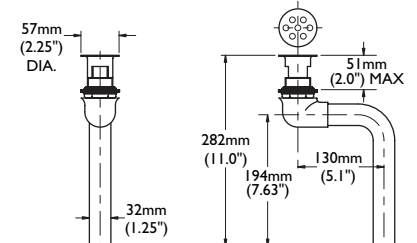
OPEN GRID STRAINER
(supplied with Product Variation 4 and 9)



METAL POPUP
(supplied with Product Variation 3 and 8)



OFFSET OPEN GRID STRAINER
(supplied with Product Variation 5)



Refer to www.specselectonline.com for individual models.

Note: Use this page front and back as a product submittal sheet.

Single Basin Faucet

TECK®

DELTA
COMMERCIAL

Specification: (example)

- **CAST BRASS** single basin faucet
 - Polished chrome plated
 - TUF-TECK institutional structure
 - Color indexed metal handle with vandal resistant screw
 - Metal hold-down package
- and ...
with ... (add outlet required)
with ... (add handle required)



Engineer/Architect Approval









Model Specified:

Approval:

Date:

DESCRIPTION	PRODUCT NO.		
Single Basin Faucet	23TI	0	



NOT APPLICABLE	OUTLET	HANDLE
0 <input checked="" type="checkbox"/>	0 <input checked="" type="checkbox"/>	0 <input type="checkbox"/>
1 <input type="checkbox"/>	1 <input type="checkbox"/>	1 Five Flute Handle  <input type="checkbox"/>
2 <input type="checkbox"/>	2 Vandal Resistant 1.5 USGPM (5.7 L/min.) Laminar w/Antimicrobial By AgION™  <input type="checkbox"/>	2 <input type="checkbox"/>
3 <input type="checkbox"/>	3 Vandal Resistant 1.5 USGPM (5.7 L/min.) Flow Control Aerator  <input type="checkbox"/>	3 70mm (2-3/4") Lever Blade Handle  <input type="checkbox"/>
4 <input type="checkbox"/>	4 Standard 1.5 USGPM (5.7 L/min.) Flow Control Aerator  <input type="checkbox"/>	4 <input type="checkbox"/>
5 <input type="checkbox"/>	5 Vandal Resistant 0.5 USGPM (1.9 L/min.) Flow Control Non- Aerating Spray Outlet  <input type="checkbox"/>	5 <input type="checkbox"/>
6 <input type="checkbox"/>	6 <input type="checkbox"/>	6 <input type="checkbox"/>
7 <input type="checkbox"/>	7 <input type="checkbox"/>	7 <input type="checkbox"/>
8 <input type="checkbox"/>	8 <input type="checkbox"/>	8 70mm (2-3/4") Self-closing Lever Blade Handle  <input type="checkbox"/>
9 <input type="checkbox"/>	9 <input type="checkbox"/>	9 Five Flute Self-closing Handle  <input type="checkbox"/>

See Back Page for Faucet Pairs
Refer to www.specselectonline.com for individual models.

Note: Use this page front and back as a product submittal sheet.

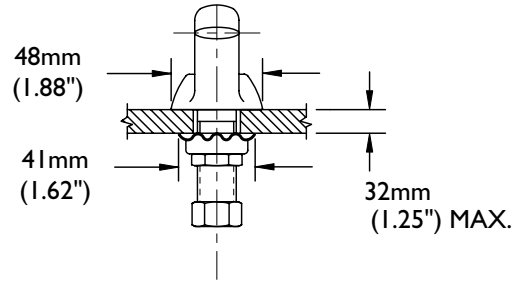
Delta reserves the right (1) to make changes in specifications and materials, and (2) to change or discontinue models, both without notice or obligation. Dimensions are for reference only. See current full-line price book or www.specselectonline.com for finish options and product availability.

Approvals:

- CSA certified
- Complies to ASME A112.18.1
- Lever Blade Handle No. 3, ADA Compliant and meets Handicapped Accessibility Standard ASME A117.1 of less than 5 lbs. operating force.
- IAPMO listed

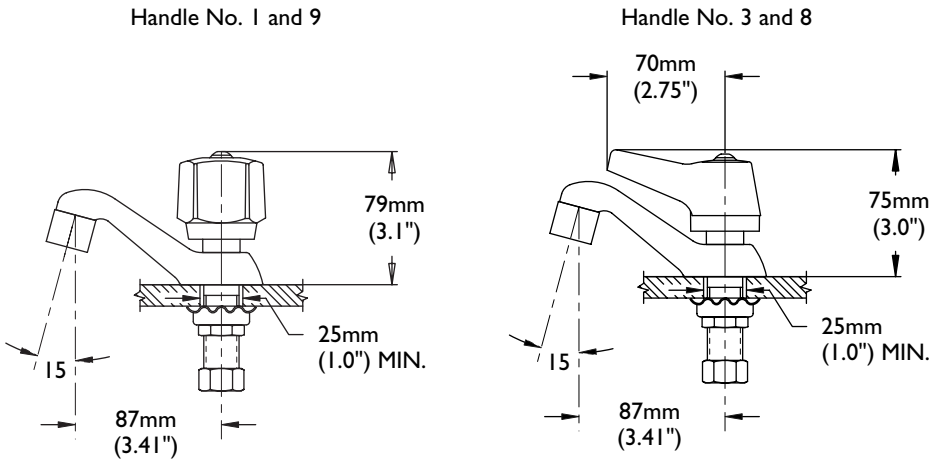
(Contact Delta Representative for State and/or Local Approvals.)

FRONT VIEW

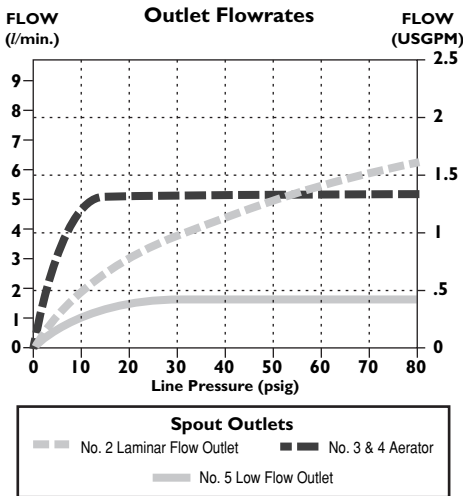


INLET FOR 3/8" OR 1/2" FLEXIBLE RISER
OR 1/2-14 NPSM COUPLING NUT (SUPPLIED)

SIDE VIEW



FLOWRATE vs PRESSURE



Specification: (Example)

- **23T101**
Pair of single hole mount, cast brass, polished chrome plated finish, basin faucets, TUF-TECK institutional structure, color indexed five flute metal handle with vandal resistant screw and 1.5 USGPM (5.7 L/min) at 60 PSI aerator outlet.
(2 x 23T1041)
- **23T24A**
As above but with self-close handle.
(2 x 23T1049)

INLETS - 1/2" MIP/Coupling Nuts
Note: Measurements may vary ± 6mm (0.25")

Refer to www.specselectonline.com for individual models.

Note: Use this page front and back as a product submittal sheet.

Widespread Lavatory Faucets 6"-12" Centers

TECK®

DELTA
COMMERCIAL

Specification: (example)

- Two handle widespread lavatory faucet
- 152 to 305mm (6" to 12") adjustable centers
- Polished chrome plated finish trim
- **CAST BRASS** bodies
- 4 1/2" **CAST BRASS** spout or 3/8" IPS **BRASS PIPE** Rigid/Swivel Gooseneck Spout
- Metal hold-down package
- Color indexed metal handles with vandal resistant screws and ... with ... (add **CER-TECK™** 1/4 turn ceramic structures or **TUF-TECK™** compression structures)
- with ... (add product variation required)
- with ... (add outlet required)
- with ... (add handle required)
- with ... (add suffix **-LS** if required – See Back Page)

23C334
23T334



23C644
23T644



Engineer/Architect Approval

















Model Specified:

Approval:

Date:

DESCRIPTION	PRODUCT NO.			
Widespread Lavatory Faucet	CER-TECK™	23C		
	TUF-TECK™	23T		



PRODUCT VARIATION	OUTLET	HANDLE
0 <input type="checkbox"/>	0 <input type="checkbox"/>	0 <input type="checkbox"/>
1 <input type="checkbox"/>	1 Vandal Resistant 1.9 USGPM (7.2 L/min.) Flow Control Rosespray  <input type="checkbox"/>	1 Five Flute Handles  <input type="checkbox"/>
2 <input type="checkbox"/>	2 Vandal Resistant 1.5 USGPM (5.7 L/min.) Laminar w/Antimicrobial By AgION™  <input type="checkbox"/>	2 102mm (4") Hooded Blade Handles  <input type="checkbox"/>
3 Cast Spout Less Pop-up (No Pop-up Hole)  <input type="checkbox"/>	3 Vandal Resistant 1.5 USGPM (5.7 L/min.) Flow Control Aerator  <input type="checkbox"/>	3 76mm (3") Lever Blade Handles  <input type="checkbox"/>
4 Cast Spout With Cast Pop-up (With Pop-up Hole)  <input type="checkbox"/>	4 Standard 1.5 USGPM (5.7 L/min.) Flow Control Aerator  <input type="checkbox"/>	4 102mm (4") Blade Handles, Sanitary Hoods  <input type="checkbox"/>
5 <input type="checkbox"/>	5 Vandal Resistant 0.5 USGPM (1.9 L/min.) Flow Control Non-Aerating SprayOutlet  <input type="checkbox"/>	5 152mm (6") Wrist Handles, Sanitary Hoods  <input type="checkbox"/>
6 Heavy Duty Rigid/Swivel Inline (R2) Gooseneck Spout Less Pop-up (1) (3)  <input type="checkbox"/>	6 <input type="checkbox"/>	6 <input type="checkbox"/>
7 Heavy Duty Rigid/Swivel (R2) Gooseneck Spout With Cast Pop-up (1)  <input type="checkbox"/>	7 Smooth End, Laminar Flow Control in Base of Gooseneck Spout 1.1 USGPM (4.2L/min.) (2)  <input type="checkbox"/>	7 <input type="checkbox"/>
8 <input type="checkbox"/>	8 <input type="checkbox"/>	8 76mm (3") Self-Closing Lever Blade Handles  <input type="checkbox"/>
9 <input type="checkbox"/>	9 <input type="checkbox"/>	9 <input type="checkbox"/>

(1) See Page 9.C.1 for **Optional Rigid/Swivel Spouts**. These spouts can ONLY be added to **BASIC PRODUCT Option No.'s 6 or 7**.

(2) This outlet can ONLY be added to **BASIC PRODUCT Option No.'s 6 or 7**.

(3) 120° Limited Swing Spout Available. Add Suffix **-LS**

Flowrates are at 60 PSI.

Note: Use this page front and back as a product submittal sheet.

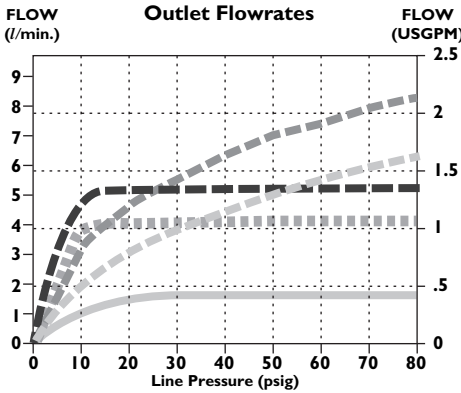
Refer to www.specselectonline.com for individual models.

Delta reserves the right (1) to make changes in specifications and materials, and (2) to change or discontinue models, both without notice or obligation. Dimensions are for reference only. See current full-line price book or www.specselectonline.com for finish options and product availability.

Approvals:

- CSA certified
 - Complies to ASME A112.18.1
 - Lever Handle No. 2, 3, 4, and 5, ADA Compliant and meets Handicapped Accessibility Standard ASME A117.1 of less than 5 lbs. operating force.
 - IAPMO listed
- (Contact Delta Representative for State and/or Local Approvals.)

FLOWRATE vs PRESSURE



Spout Outlets

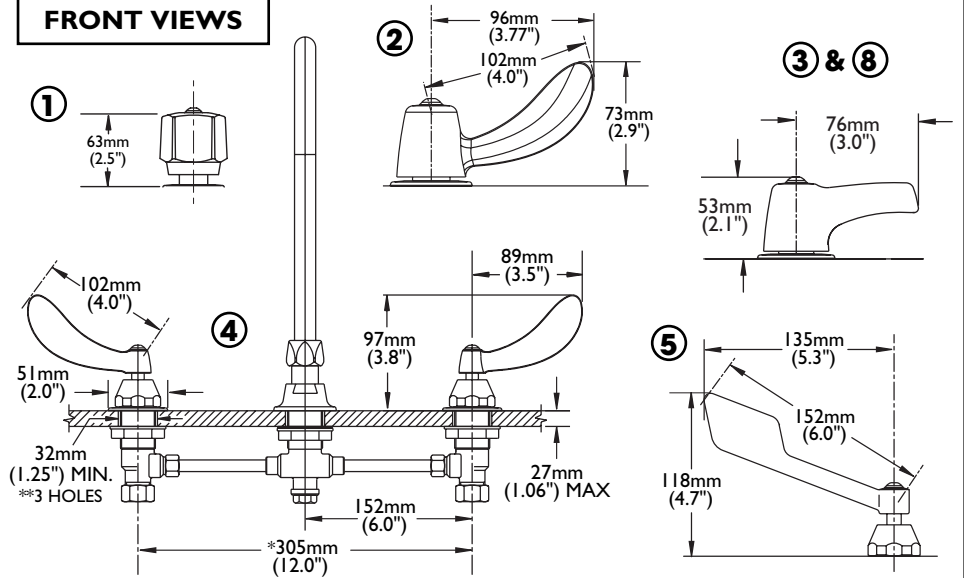
- No. 3 & 4 Aerator
- No. 2 Laminar Flow Outlet
- No. 7 Flow Control
- No. 1 Rose Spray
- No. 5 Low Flow Outlet

OUTLET NO.	GOOSENECK SPOUT "D"		CAST SPOUT "D"	
	mm	in.	mm	in.
1	17	0.67	19	.75
2	18	0.69	11	.45
3	18	0.69	11	.45
4	17	0.67	11	.45

LIMITED SWING GOOSENECK

- ☐ Add suffix "- LS" to Product Number for 120° Limited Swing - Available on #6 Product Variation ONLY

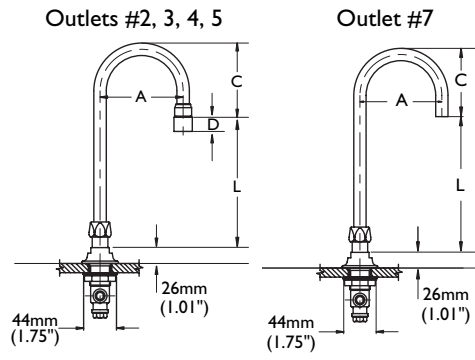
FRONT VIEWS



* CAN BE CUT IN FIELD TO 152mm (6.0") MINIMUM INLET FOR 3/8" OR 1/2" FLEXIBLE RISER OR 1/2-14 NPSM COUPLING NUT (SUPPLIED)

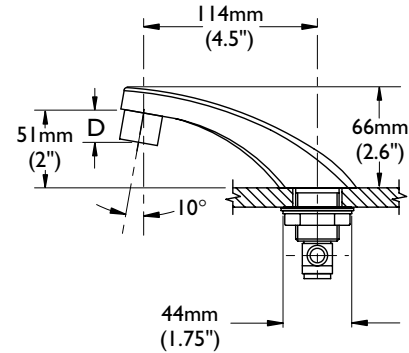
(Extension Kit Available for up to 1 1/4" Thick Decks)

GOOSENECK SPOUT #6

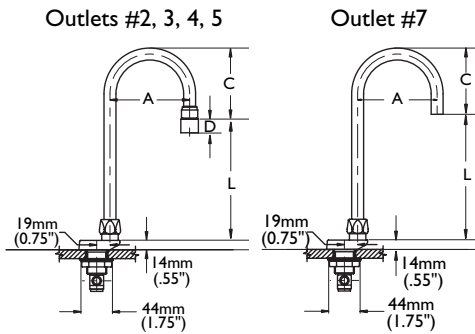


**Spout hole 38mm (1.5") maximum diameter.

CAST SPOUT



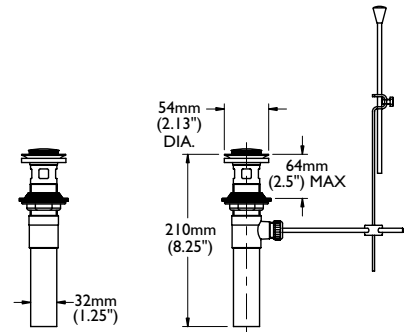
GOOSENECK SPOUT #7



**Spout hole 38mm (1.5") maximum diameter.

CAST POP-UP

(supplied with Product Variations 4 & 7)



GOOSENECK SPOUT ASSEMBLIES

SPOUT/OUTLET	"A"		"C"		"L"	
	mm	in.	mm	in.	mm	in.
Gooseneck-Standard (R2) for outlets #2, 3, 4, 5	114	4.5	104	4.1	170	6.7
Gooseneck-Standard (R2) for outlet #7	114	4.5	97	3.8	178	7.0

INLETS - 1/2" MIP/Coupling Nuts
Note: Measurements may vary ± 6mm (0.25")

See Page 9.C.1 for additional optional spouts.

Refer to www.specselectonline.com for individual models.

Note: Use this page front and back as a product submittal sheet.

Single Control Widespread Faucet

TECK®



Specification: (example)

- Widespread single control faucet
 - 102 to 406mm (4" to 16") adjustable centers
 - Polished chrome plated finish
 - **DELTA** washerless stainless steel ball
 - High temperature limit stop
 - 3/8" IPS **BRASS PIPE** Rigid/Swivel Gooseneck spout
 - Metal trim, colour indexed vandal resistant lever blade handle and ...
- with ... (add product variation required)
 with ... (add outlet required)
 with ... (add handle required)
 with ... (add suffix **-LS** if required – See Back Page)



24T2643









Engineer/Architect Approval

Model Specified: _____

Approval: _____ Date: _____

DESCRIPTION	PRODUCT NO.			
Single Control Widespread Faucet	24T2	6		



PRODUCT VARIATION	OUTLET	HANDLE
0 <input type="checkbox"/>	0 <input type="checkbox"/>	0 <input type="checkbox"/>
1 <input type="checkbox"/>	1 <input type="checkbox"/>	1 70mm (2.75") Lever Blade Handle  <input type="checkbox"/>
2 <input type="checkbox"/>	2 Vandal Resistant 1.5 USGPM (5.7 L/min.) Laminar w/Antimicrobial By AgION™  <input type="checkbox"/>	2 <input type="checkbox"/>
3 <input type="checkbox"/>	3 Vandal Resistant 1.5 USGPM (5.7 L/min.) Flow Control Aerator  <input type="checkbox"/>	3 152mm (6") Lever Blade Handle  <input type="checkbox"/>
4 <input type="checkbox"/>	4 Standard 1.5 USGPM (5.7 L/min.) Flow Control Aerator  <input type="checkbox"/>	4 <input type="checkbox"/>
5 <input type="checkbox"/>	5 Vandal Resistant 0.5 USGPM (1.9 L/min.) Flow Control Non-Aerating Spray Outlet  <input type="checkbox"/>	5 <input type="checkbox"/>
6 Heavy Duty (R2) Rigid/Swivel Gooseneck Spout (1) (2)  <input checked="" type="checkbox"/>	6 <input type="checkbox"/>	6 <input type="checkbox"/>
7 <input type="checkbox"/>	7 Smooth End, Laminar Flow Control in Base of Gooseneck Spout 1.1 USGPM (4.2L/min.)  <input type="checkbox"/>	7 <input type="checkbox"/>
8 <input type="checkbox"/>	8 <input type="checkbox"/>	8 <input type="checkbox"/>
9 <input type="checkbox"/>	9 <input type="checkbox"/>	9 <input type="checkbox"/>

(1) See Page 9.C.1 for **Optional Rigid/Swivel Spouts.**

See Page 5.C.3 for 24T3003

Flowrates are at 60 PSI.

(2) 120° Limited Swing Spout Available. Add Suffix **-LS.**

Refer to www.specselectonline.com for individual models.

Note: Use this page front and back as a product submittal sheet

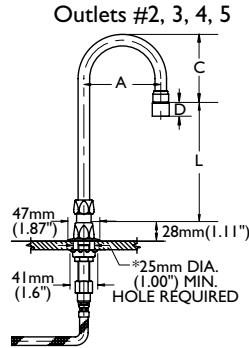
Delta reserves the right (1) to make changes in specifications and materials, and (2) to change or discontinue models, both without notice or obligation. Dimensions are for reference only. See current full-line price book or www.specselectonline.com for finish options and product availability.

Approvals:

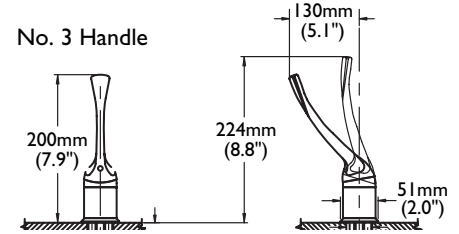
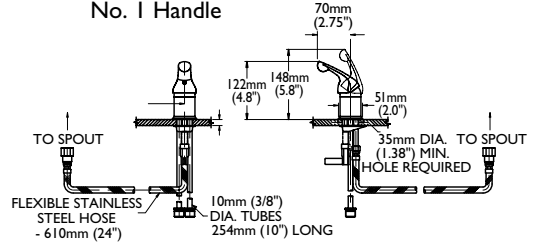
- CSA certified
- Complies to ASME A112.18.1
- ADA Compliant and meets Handicapped Accessibility Standard ASME A117.1 of less than 5 lbs. handle operating force.
- IAPMO listed

(Contact Delta Representative for State and/or Local Approvals.)

GOOSENECK

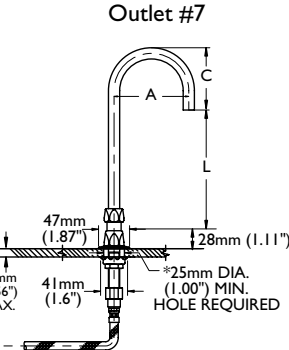


CONTROL UNIT

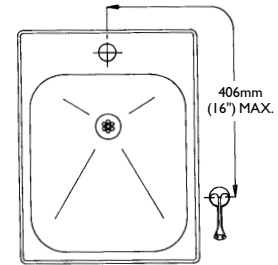


(Extension Kit Available for up to 1 1/4" Thick Decks)

**Spout hole 38mm (1.5") maximum diameter.

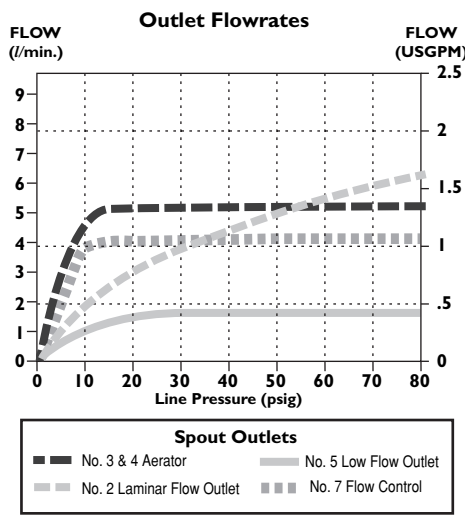


HANDICAP INSTALLATION



LIMITED SWING GOOSENECK
 Add suffix "- LS" to Product Number for 120° Limited Swing

FLOWRATE vs PRESSURE



GOOSENECK SPOUT OUTLET NO.	"D"	
	mm	in.
2	18	0.69
3	18	0.69
4	17	0.67
5	18	0.69

- 24T0001**
Control Unit Only with 2.75" Handle
- 24T0003**
Control Unit Only with 6" Handle

INLETS - 1/2" MIP/Coupling Nuts
 Note: Measurements may vary ± 6mm (0.25")

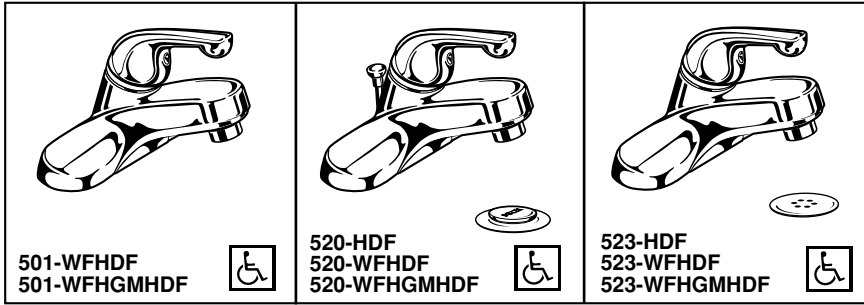
See Page 9.C.1 for additional optional spouts.

GOOSENECK SPOUT ASSEMBLIES

SPOUT/OUTLET	"A"		"C"		"L"	
	mm	in.	mm	in.	mm	in.
Gooseneck-Standard (R2) for outlets #2, 3, 4, 5	114	4.5	104	4.1	170	6.7
Gooseneck-Standard (R2) for outlet #7	114	4.5	97	3.8	178	7.0

Refer to www.specselectonline.com for individual models.

Note: Use this page front and back as a product submittal sheet.



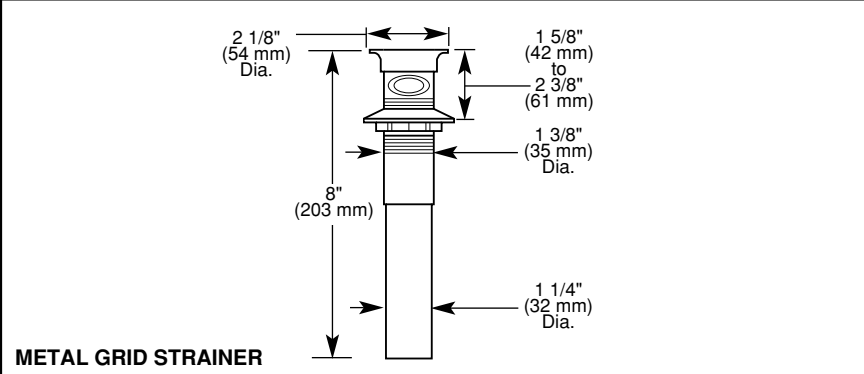
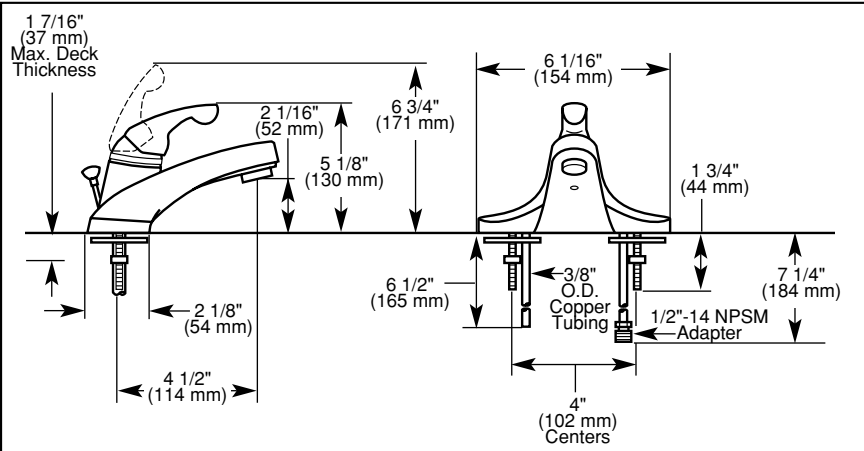
- Single Handle
- Deck Mount
- 2 and 3 Hole Sink Applications
- 4" (102 mm) Centerset

STANDARD SPECIFICATIONS:

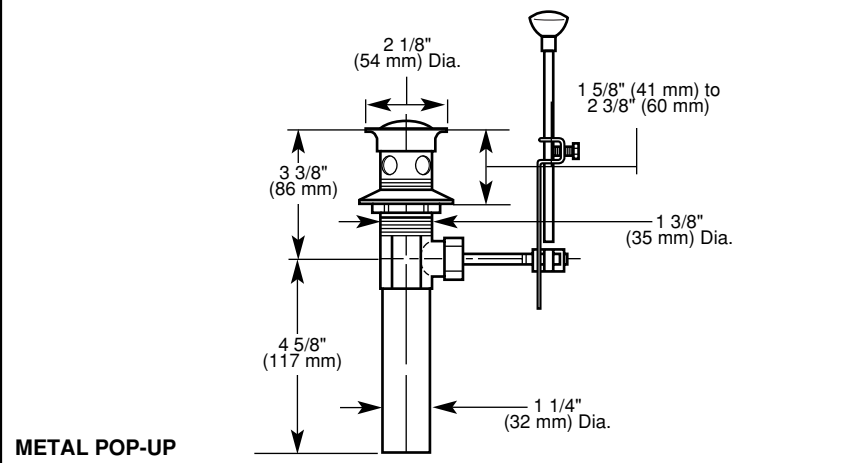
- Single handle lavatory deck faucets for exposed mounting on two and three hole sinks.
- 4" (102 mm) centerset.
- Solid brass fabricated body.
- 4 1/2" (114 mm) long spout.
- Vandal resistant aerator or spray outlet.
- Metal grid strainer (523).
- Metal pop-up drain (520).
- Lift Rod Hole (520).
- Vandal resistant lever handle. Red/blue colored graphics indicate hot/cold temperature.
- Control mechanism shall be of the rotating stainless steel ball type with replaceable non-metallic seats operating in stainless steel lined sockets.
- Control handle shall return to the neutral position when valve is turned off.
- Adjustable handle limit stop.
- Models have 3/8" O.D. copper supply tubes.
- Models with suffix "WF" supplied with 1/2"-14 NPSM adapters.
- Available Options for Field Conversion:
 - 6" (152 mm) long elbow handle—red/blue colored graphics indicate hot/cold temperature. Order RP5645.

Submitted Model No.: _____

Specific Features: _____



METAL GRID STRAINER

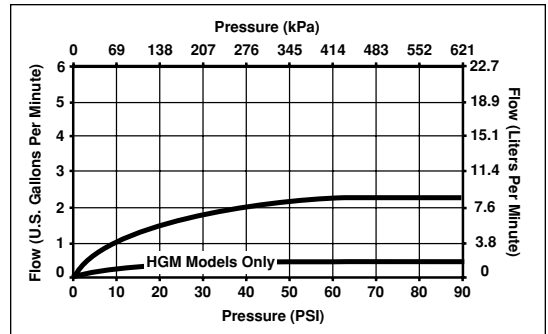


METAL POP-UP

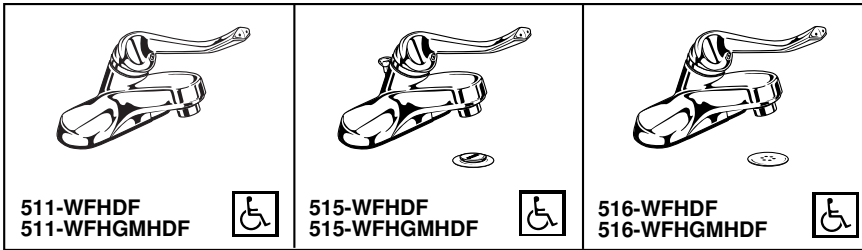


COMPLIES WITH:

- ASME A112.18.1
- CSA B125
- Indicates ADA compliance to CABO/ANSI A117.1
- IAPMO Listed
- CSA Certified



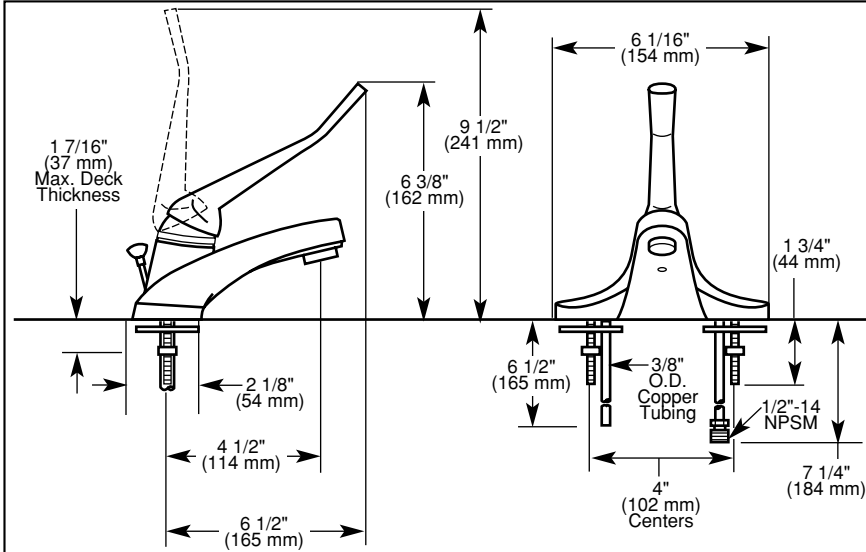
Delta reserves the right (1) to make changes in specifications and materials, and (2) to change or discontinue models, both without notice or obligation. Dimensions are for reference only. See current full-line price book or www.specselectonline.com for finish options and product availability.



- Single Handle
- Deck Mount
- 2 and 3 Hole Sink Applications
- 4" (102 mm) Centerset

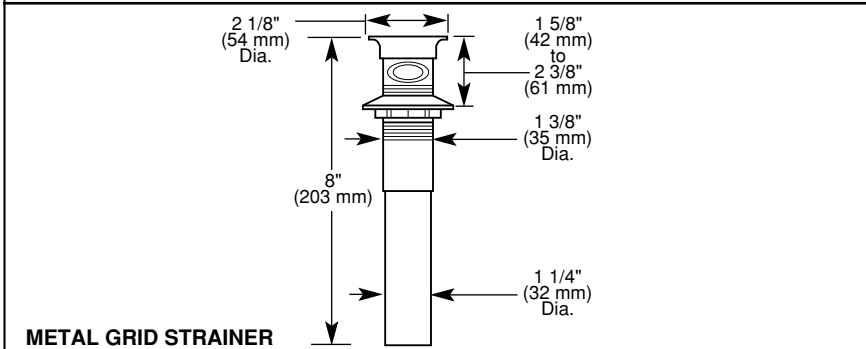
Submitted Model No.: _____

Specific Features: _____



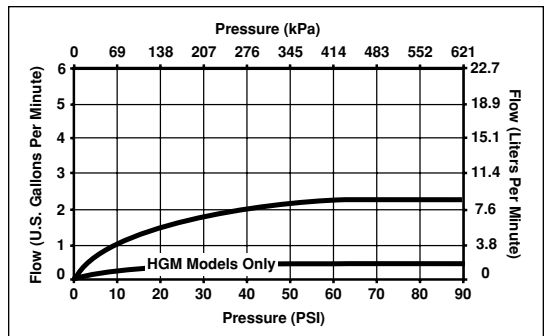
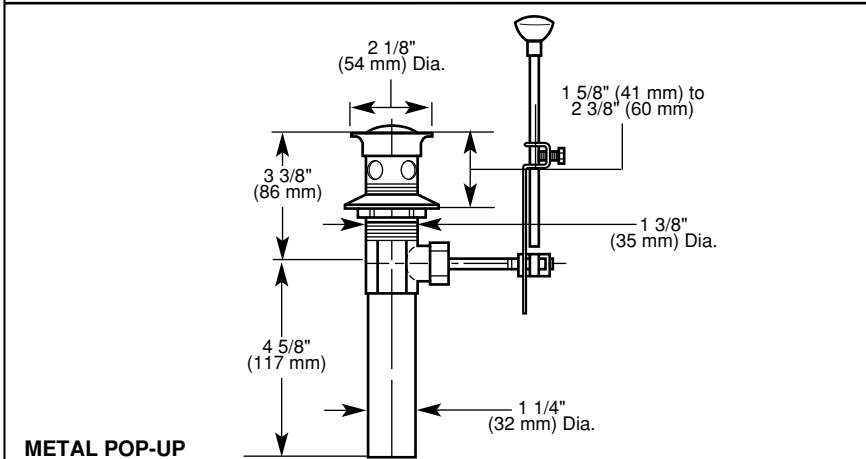
STANDARD SPECIFICATIONS:

- Single handle lavatory deck faucets for exposed mounting on two and three hole sinks.
- 4" (102 mm) centerset.
- Solid brass fabricated body.
- 4 1/2" (114 mm) long spout.
- Vandal resistant 6" (152 mm) elbow handle. Red/blue colored graphics indicate hot/cold temperature.
- Control mechanism shall be of the rotating stainless steel ball type with replaceable non-metallic seats operating in stainless steel lined sockets.
- Control handle shall return to the neutral position when valve is turned off.
- Adjustable handle limit stop.
- Vandal resistant aerator or spray outlet.
- Metal grid strainer (516).
- Metal pop-up drain (515).
- Lift Rod Hole (515).
- Models have 3/8" O.D. copper supply tubes with 1/2"-14 NPSM adapters.

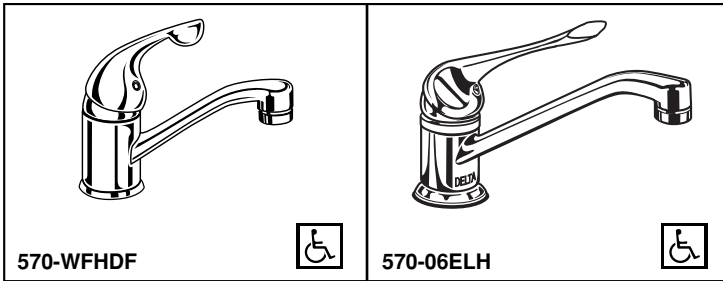


COMPLIES WITH:

- ASME A112.18.1
- CSA B125
- Indicates ADA compliance to CABO/ANSI A117.1
- IAPMO Listed
- CSA Certified



Delta reserves the right (1) to make changes in specifications and materials, and (2) to change or discontinue models, both without notice or obligation. Dimensions are for reference only. See current full-line price book or www.specselectonline.com for finish options and product availability.



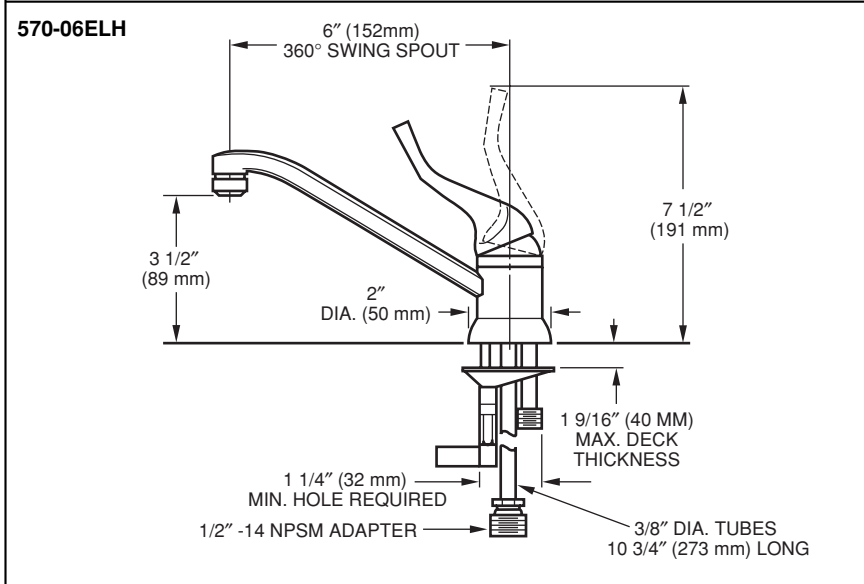
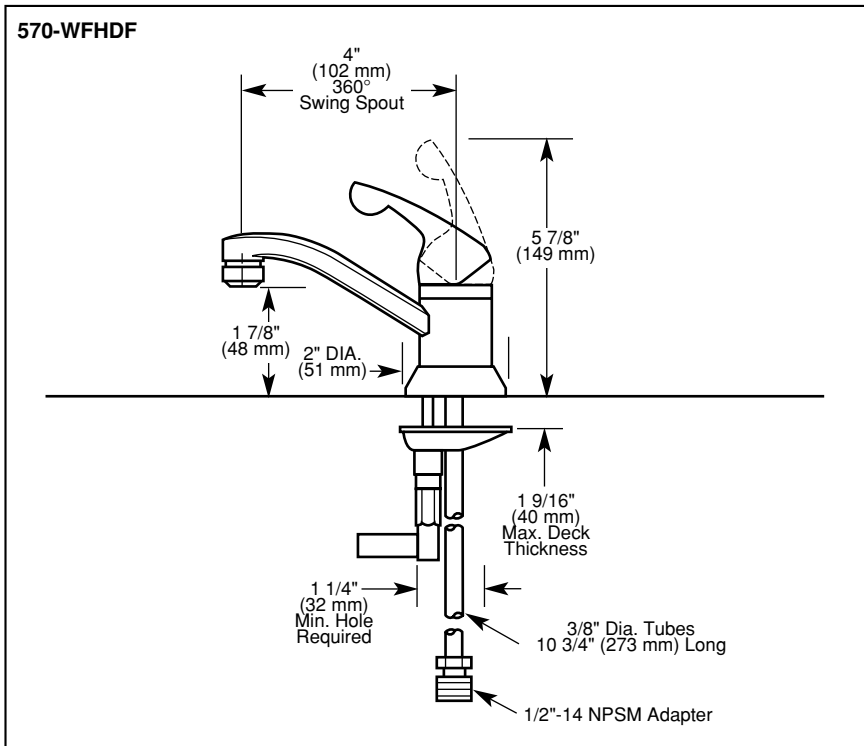
- Single Handle
- Deck Mount
- 1 Hole Sink Applications

STANDARD SPECIFICATIONS:

- Single handle lavatory deck faucets for exposed mounting on one hole sinks.
- Solid brass fabricated body.
- 2.2 gpm (8.3 L/min) vandal resistant aerator.
- 4" (102 mm) long spout swings 360°. (570-WFHDF)
- 6" (152 mm) long spout swings 360°. (570-06ELH)
- Vandal resistant lever handle. Red/blue colored graphics indicate hot/cold temperature.
- Control mechanism shall be of the rotating stainless steel ball type with replaceable non-metallic seats operating in stainless steel lined sockets.
- Control handle shall return to the neutral position when valve is turned off.
- Adjustable handle limit stop.
- All operating parts shall be replaceable from the top.
- Models have 3/8" O.D. copper supply tubes with 1/2"-14 NPSM adapters.
- Available Options for Field Conversion:
 - 6" (152 mm) Long Swing Spout. Order RP9633.
 - 8" (203 mm) Long Swing Spout. Order RP5654.
 - 10" (254 mm) Long Swing Spout. Order RP5653.
 - 12" (305 mm) Long Swing Spout. Order RP6042.
 - 6" (152 mm) Long Elbow Handle with Red/Blue Graphics to Indicate Hot/Cold Temperatures. Order RP5645.

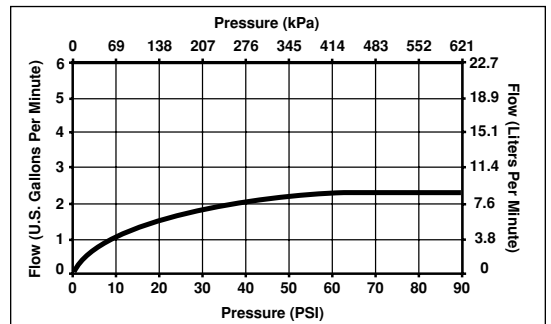
Submitted Model No.: _____

Specific Features: _____

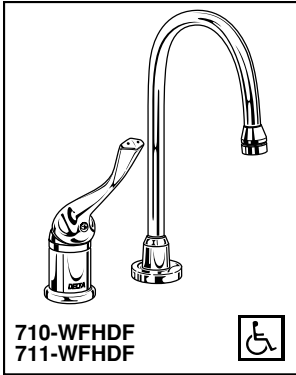


COMPLIES WITH:

- ASME A112.18.1
- CSA B125
- Indicates ADA compliance to CABO/ANSI A117.1
- IAPMO Listed
- CSA Certified



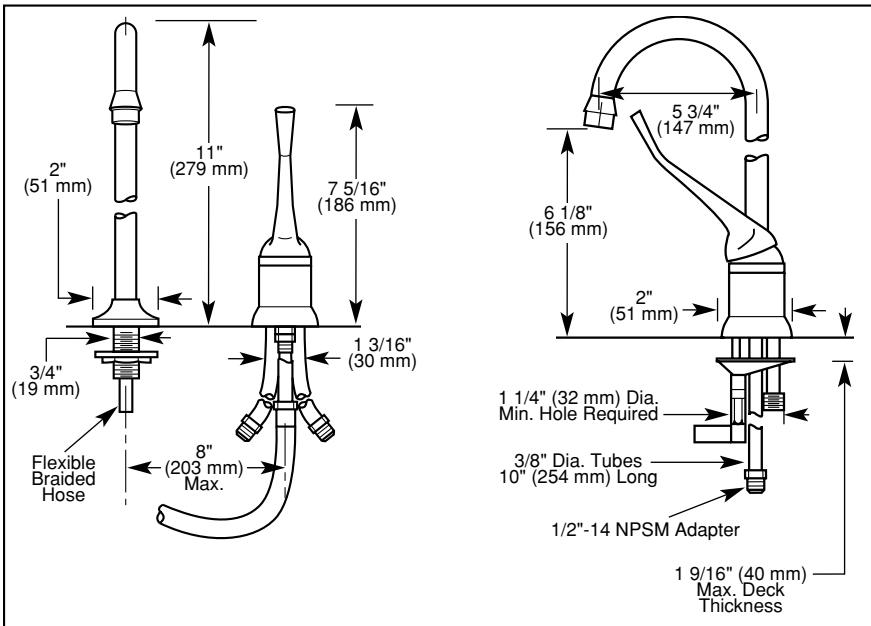
Delta reserves the right (1) to make changes in specifications and materials, and (2) to change or discontinue models, both without notice or obligation. Dimensions are for reference only. See current full-line price book or www.specselectonline.com for finish options and product availability.



710-WFHDF
711-WFHDF

Submitted Model No.: _____

Specific Features: _____



- Single Handle
- Utility Faucet
- Deck Mount
- 2 Hole Sink Applications
- 8" (203 mm) Maximum Centers

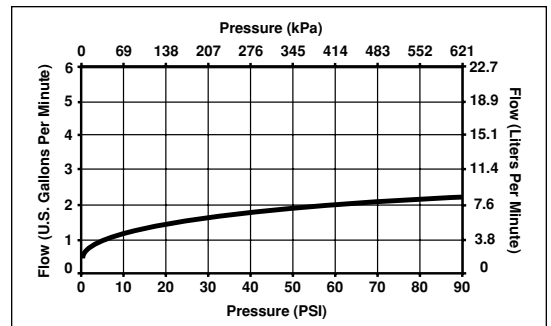
STANDARD SPECIFICATIONS:

- Single handle utility deck faucet for exposed mounting on two hole sinks.
- 8" (203 mm) maximum centers.
- Solid brass fabricated body.
- 5 3/4" (147 mm) long, 11" (279 mm) high gooseneck spout. Rigid (710), 360° Swing (711).
- Vandal resistant 6" (152 mm) elbow handle. Red/blue colored graphics indicate hot/cold temperature.
- Control mechanism shall be of the rotating stainless steel ball type with replaceable non-metallic seats operating in stainless steel lined sockets.
- Control handle returns to the neutral position when valve is turned off.
- Adjustable handle limit stop.
- 2.2 gpm (8.3 L/min) laminar flow outlet.
- Models have 3/8" O.D. copper supply tubes with 1/2"-14 NPSM adapters.

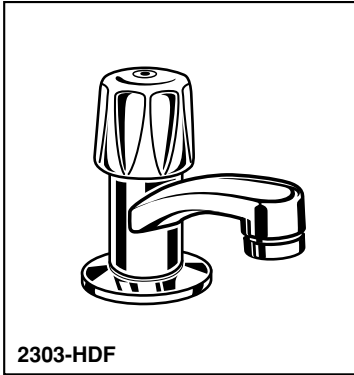


COMPLIES WITH:

- ASME A112.18.1
- CSA B125
- Indicates ADA compliance to CABO/ANSI A117.1
- IAPMO Listed
- CSA Certified



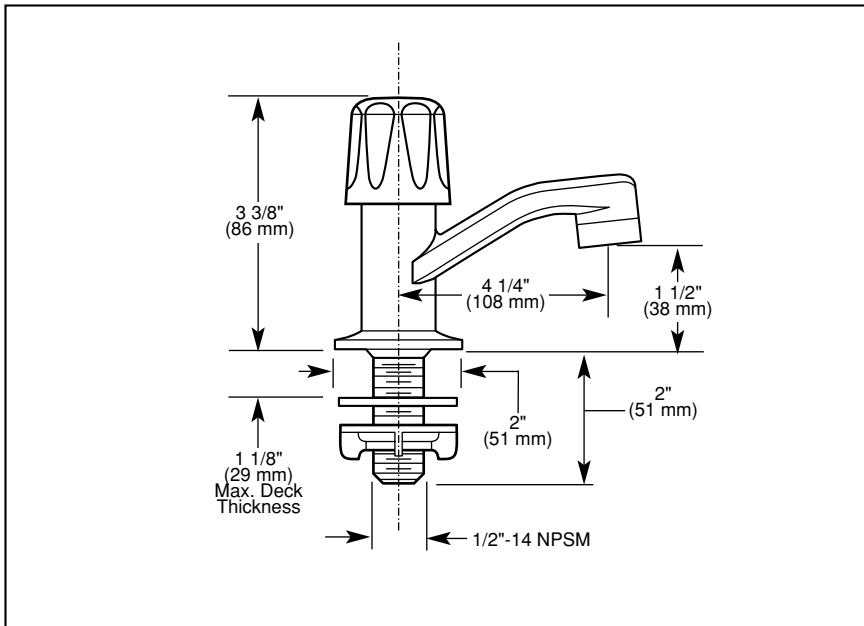
Delta reserves the right (1) to make changes in specifications and materials, and (2) to change or discontinue models, both without notice or obligation. Dimensions are for reference only. See current full-line price book or www.specselectonline.com for finish options and product availability.



2303-HDF

Submitted Model No.: _____

Specific Features: _____



- Single Handle
- Basin Faucet
- Single Hole Sink Applications

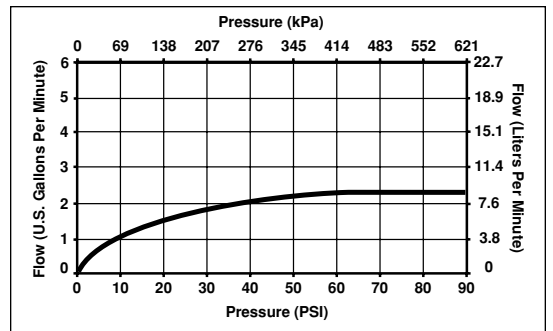
STANDARD SPECIFICATIONS:

- Single handle deck basin faucet for exposed mounting on single hole sinks.
- Solid fabricated brass body.
- Can be used as hot or cold faucet.
- 4 1/4" (108 mm) long rigid spout.
- 2.2 gpm (8.3 L/min) vandal resistant aerator.
- Vandal resistant metal knob handle.
- Control mechanism shall be of the rotating cylinder type with stainless steel plate with replaceable non-metallic seats operating in stainless steel lined sockets.
- Stem unit with brass stem, stainless steel plate and 1/4 turn stop.
- All operating parts shall be replaceable from the top.
- 1/2" - 14 NPSM threaded male inlet shank.
- 2" (51 mm) diameter escutcheon.

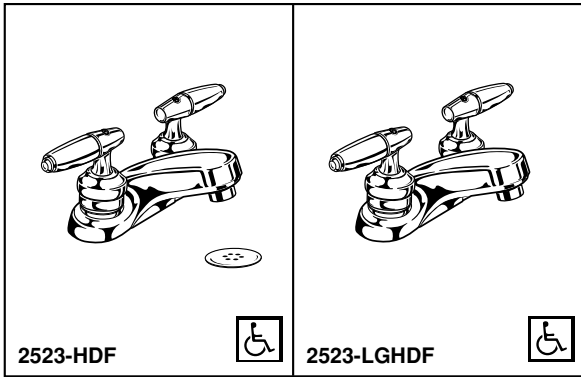


COMPLIES WITH:

- ASME A112.18.1
- CSA B125
- IAPMO Listed
- CSA Certified



Delta reserves the right (1) to make changes in specifications and materials, and (2) to change or discontinue models, both without notice or obligation. Dimensions are for reference only. See current full-line price book or www.specselectonline.com for finish options and product availability.



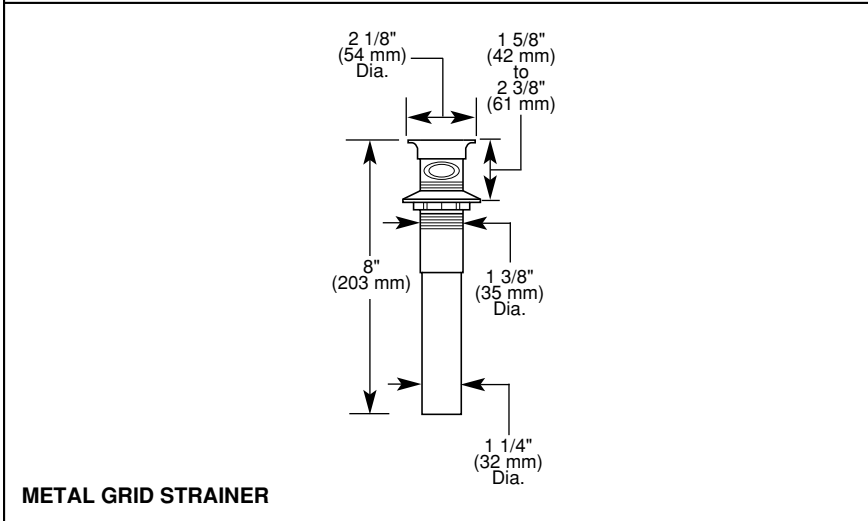
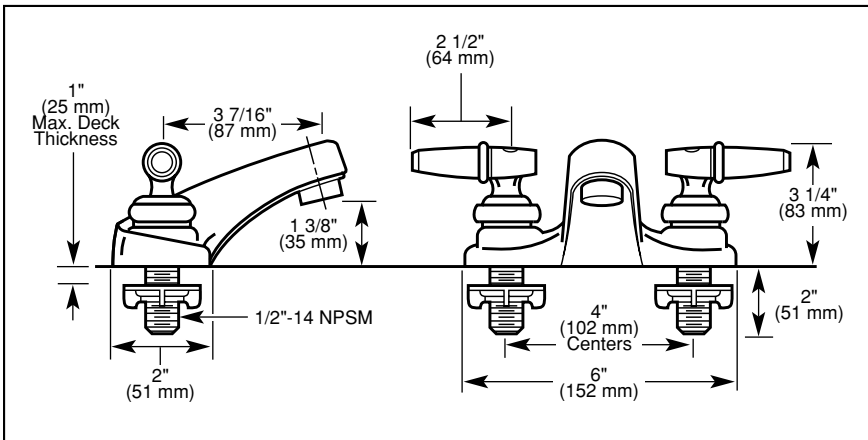
- Two Handle
- Deck Mount
- 2 Hole Sink Applications
- 4" (102 mm) Centerset

STANDARD SPECIFICATIONS:

- Two handle lavatory deck faucets for exposed mounting on two or three hole sinks.
- 4" (102 mm) centerset.
- Solid brass fabricated body.
- 3 7/16" (87 mm) long spout.
- No lift rod hole.
- Vandal resistant brass lever handles. Red/blue colored graphics indicate hot/cold temperature.
- Control mechanism shall be of the rotating cylinder type with stainless steel plate and 1/4 turn stops. Replaceable non-metallic seats operate in stainless steel lined sockets.
- Hot and cold stems are interchangeable.
- 1/2"-14 NPSM threaded male inlet shanks.
- Vandal resistant aerator or spray outlet.

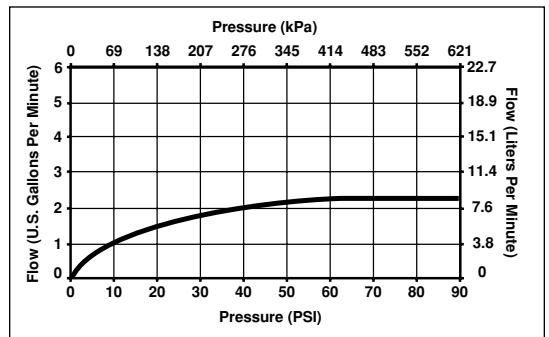
Submitted Model No.: _____

Specific Features: _____

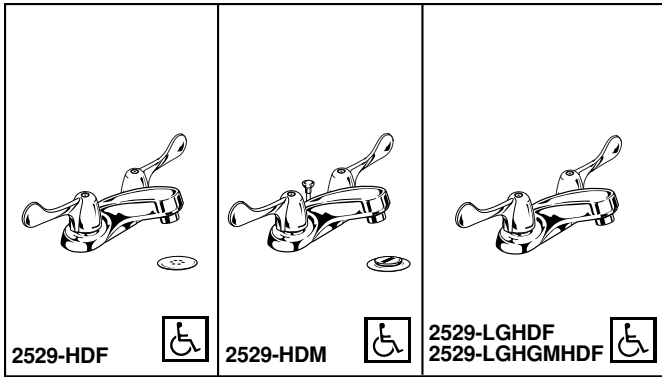


COMPLIES WITH:

- ASME A112.18.1
- CSA B125
- Indicates ADA compliance to CABO/ANSI A117.1
- IAPMO Listed
- CSA Certified



Delta reserves the right (1) to make changes in specifications and materials, and (2) to change or discontinue models, both without notice or obligation. Dimensions are for reference only. See current full-line price book or www.specselectonline.com for finish options and product availability.



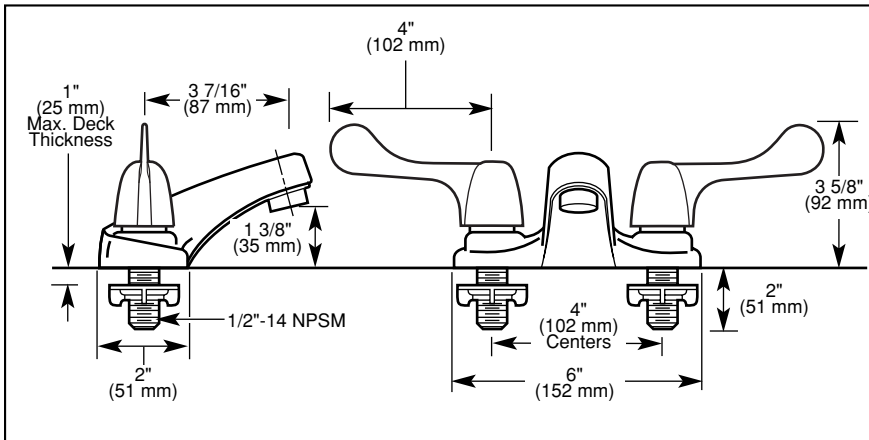
Submitted Model No.: _____

Specific Features: _____

- Two Handle
- Deck Mount
- 2 and 3 Hole Sink Applications
- 4" (102 mm) Centerset

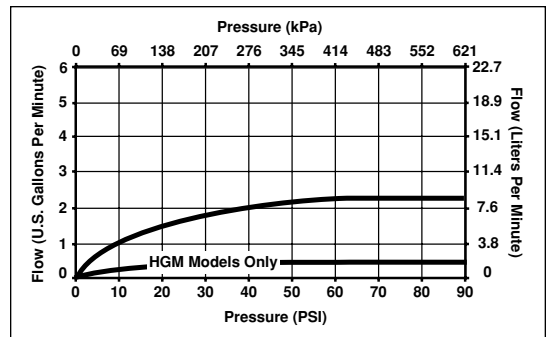
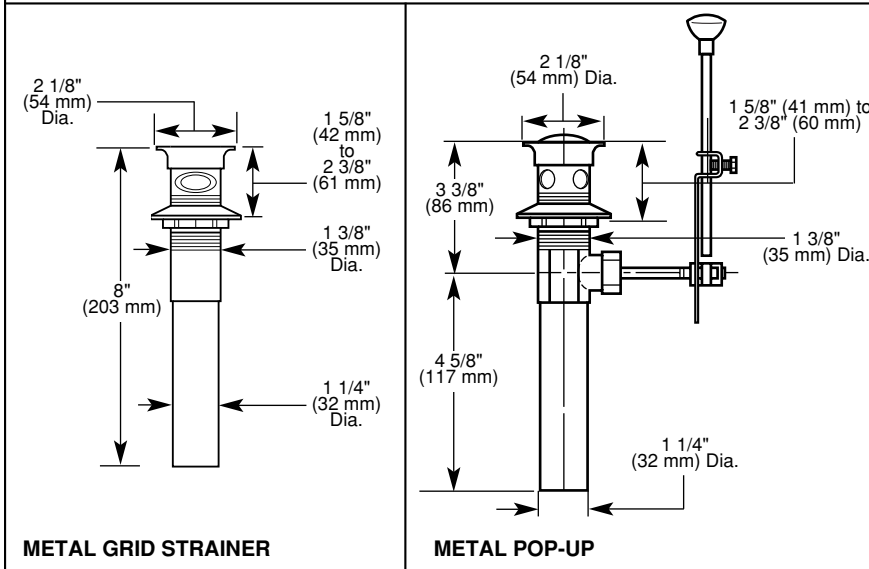
STANDARD SPECIFICATIONS:

- Two handle lavatory deck faucets for exposed mounting on two and three hole sinks.
- 4" (102 mm) centerset.
- Solid brass fabricated body.
- 3 7/16" (87 mm) long spout.
- Vandal resistant metal wrist blade handles. Red/blue colored graphics indicate hot/cold temperature.
- Control mechanism shall be of the rotating cylinder type with stainless steel plate and 1/4 turn stops. Replaceable non-metallic seats operate in stainless steel lined sockets.
- Hot and cold stems are interchangeable.
- 1/2"-14 NPSM threaded male inlet shanks.
- Vandal resistant aerator or spray outlet.
- Metal grid strainer (2529-HDF).
- Metal pop-up drain (2529-HDM).
- Lift Rod Hole (2529-HDM).

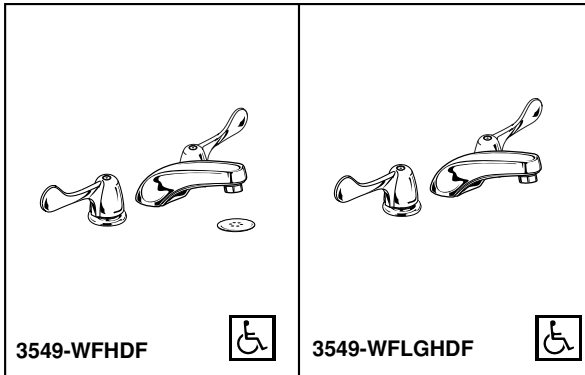


COMPLIES WITH:

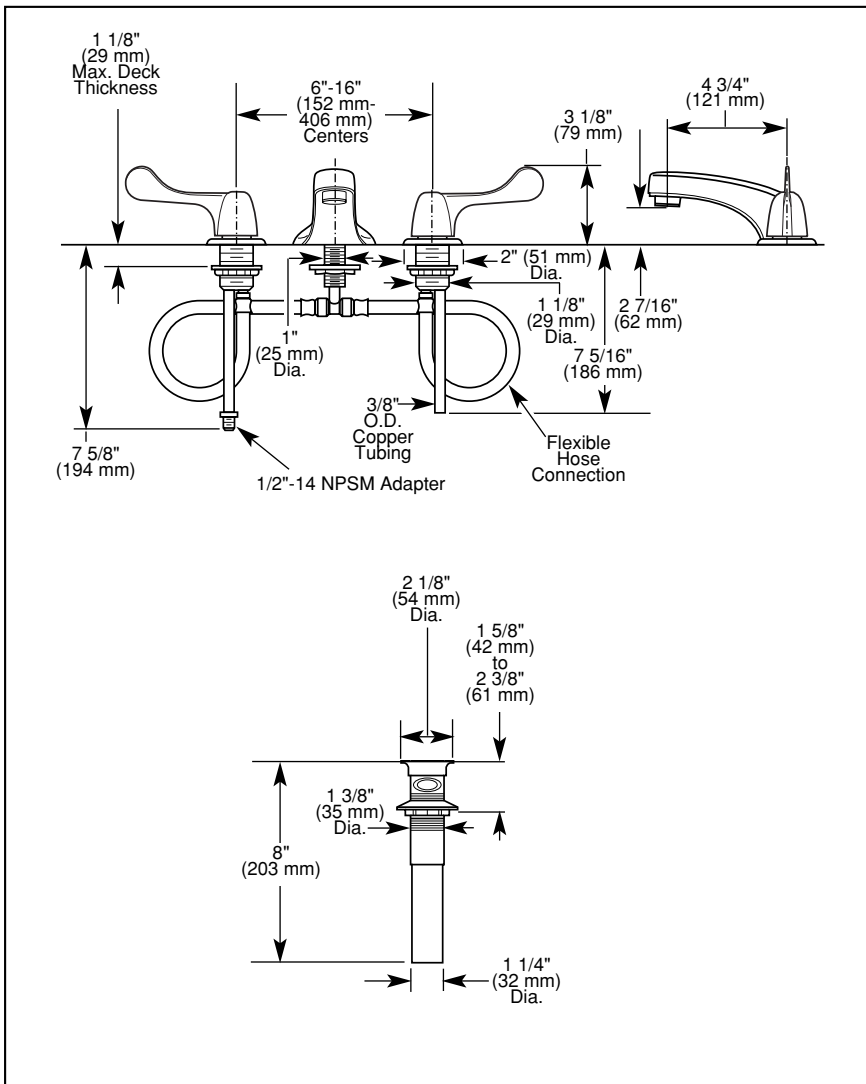
- ASME A112.18.1
- CSA B125
- Indicates ADA compliance to CABO/ANSI A117.1
- IAPMO Listed
- CSA Certified



Delta reserves the right (1) to make changes in specifications and materials, and (2) to change or discontinue models, both without notice or obligation. Dimensions are for reference only. See current full-line price book or www.specselectonline.com for finish options and product availability.



Submitted Model No.: _____
 Specific Features: _____



- Two Handle
- Widespread
- Three Hole Sink Applications
- 6"-16" (152 mm-406 mm) Centers

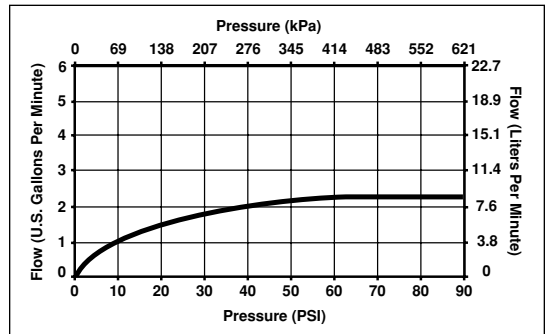
STANDARD SPECIFICATIONS:

- Two handle lavatory faucets for concealed mounting on three hole sinks.
- Solid brass fabricated end valves and spout body.
- Widespread 6"-16" (152 mm-406 mm) centers.
- 4 3/4" (121 mm) long rigid spout.
- No lift rod hole.
- Metal grid strainer (3549-WFHDF).
- Vandal resistant metal wrist blade handles. Red/blue colored graphics indicate hot/cold temperature.
- Control mechanism shall be of the rotating cylinder type with stainless steel plate and 1/4 turn stops. Replaceable non-metallic seats operate in stainless steel lined sockets.
- Hot and cold stems are interchangeable.
- 2.2 gpm (8.3 L/min) vandal resistant aerator.
- 3/8" O.D. copper supply tube inlets with 1/2"-14 NPSM adapters.
- Available Options for Field Conversion:
 - Vandal resistant aerator with wrench - 2.2 gpm (8.3L/min). Chrome plated. Order RP246.
 - Vandal resistant laminar flow spray outlet with wrench - 2.2 gpm (8.3L/min). Chrome plated. Order RP21966.
 - Vandal resistant spray outlet with wrench - .5 gpm (1.9L/min). Chrome plated. Order RP31704.

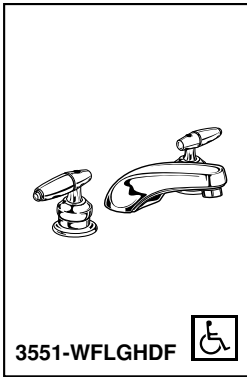


COMPLIES WITH:

- ASME A112.18.1
- CSA B125
- Indicates ADA compliance to CABO/ANSI A117.1
- IAPMO Listed
- CSA Certified



Delta reserves the right (1) to make changes in specifications and materials, and (2) to change or discontinue models, both without notice or obligation. Dimensions are for reference only. See current full-line price book or www.specselectonline.com for finish options and product availability.



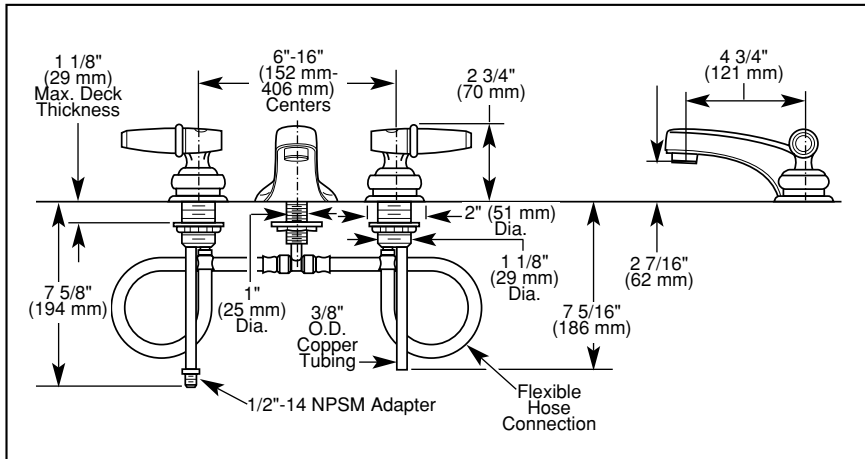
Submitted Model No.: _____

Specific Features: _____

- Two Handle
- Widespread
- Three Hole Sink Applications
- 6"-16" (152 mm-406 mm) Centers

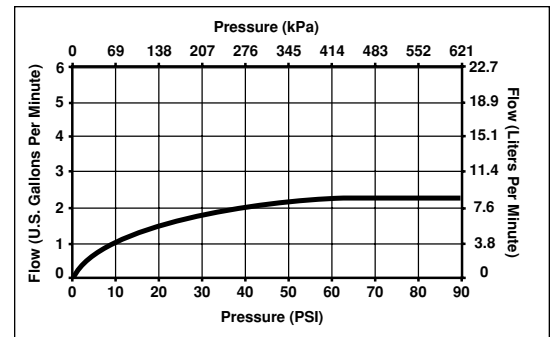
STANDARD SPECIFICATIONS:

- Two handle lavatory faucets for concealed mounting on three hole sinks.
- Solid brass fabricated end valves and spout body.
- Widespread 6"-16" (152 mm-406 mm) centers.
- 4 3/4" (121 mm) long rigid spout.
- No lift rod hole.
- Vandal resistant brass lever handles. Red/blue colored graphics indicate hot/cold temperature.
- Control mechanism shall be of the rotating cylinder type with stainless steel plate and 1/4 turn stops. Replaceable non-metallic seats operate in stainless steel lined sockets.
- Hot and cold stems are interchangeable.
- 2.2 gpm (8.3 L/min) vandal resistant aerator.
- 3/8" O.D. copper supply tube inlets with 1/2"-14 NPSM adapters.
- Available Options for Field Conversion:
 - Vandal resistant aerator with wrench - 2.2 gpm (8.3L/min). Order RP246.
 - Vandal resistant laminar flow spray outlet with wrench - 2.2 gpm (8.3L/min). Order RP21966.
 - Vandal resistant spray outlet with wrench - .5 gpm (1.9L/min). Order RP31704.
 - Metal wrist blade handles with vandal resistant red and blue screws. Order RP12491.

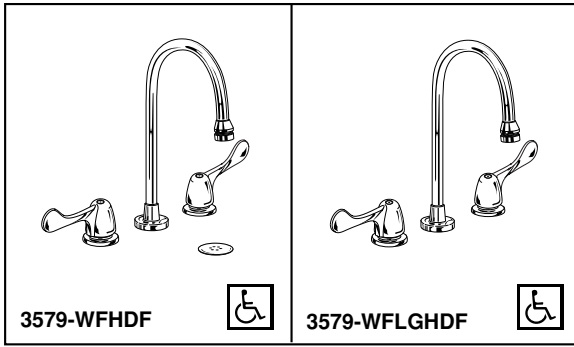


COMPLIES WITH:

- ASME A112.18.1
- CSA B125
- Indicates ADA compliance to CABO/ANSI A117.1
- IAPMO Listed
- CSA Certified



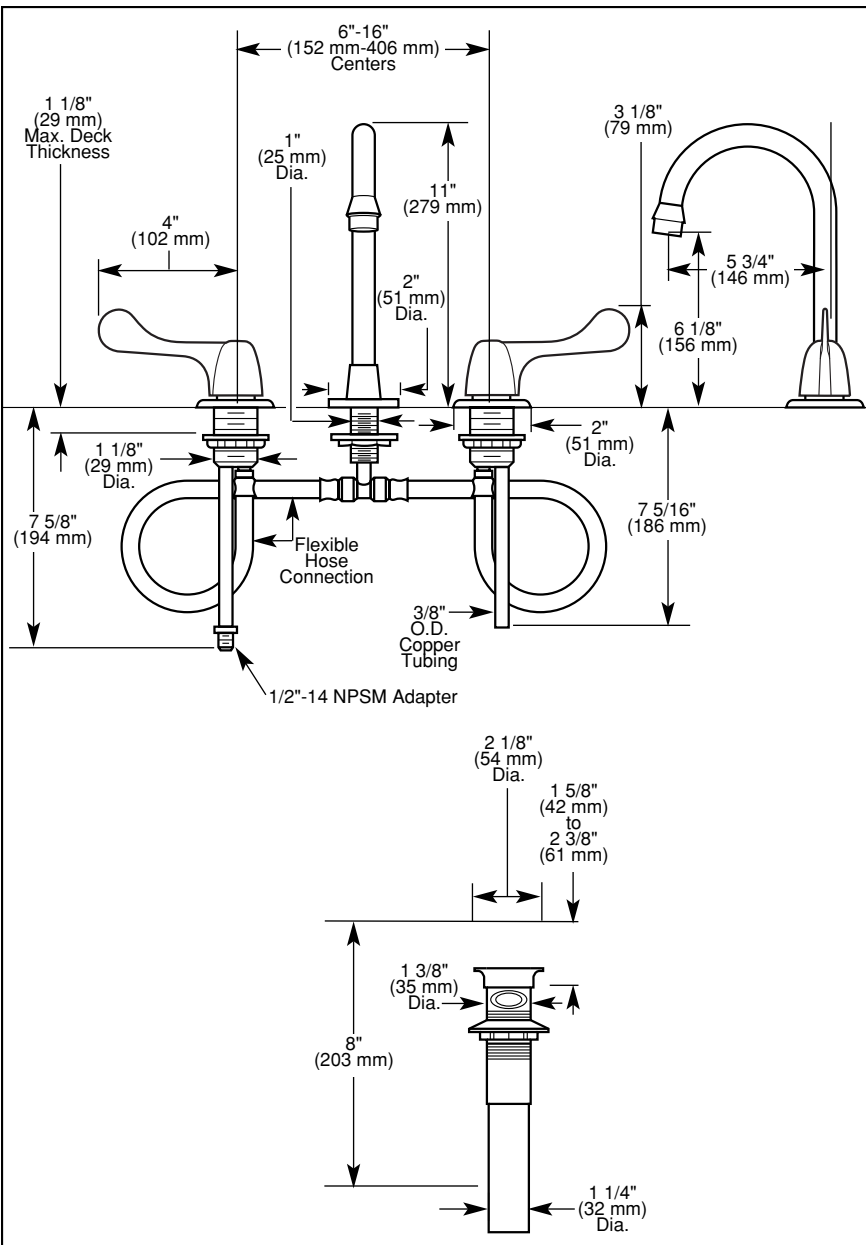
Delta reserves the right (1) to make changes in specifications and materials, and (2) to change or discontinue models, both without notice or obligation. Dimensions are for reference only. See current full-line price book or www.specselectonline.com for finish options and product availability.



- Two Handle
- Widespread
- Three Hole Sink Applications
- 6"-16" (152 mm-406 mm) Centers

Submitted Model No.: _____

Specific Features: _____

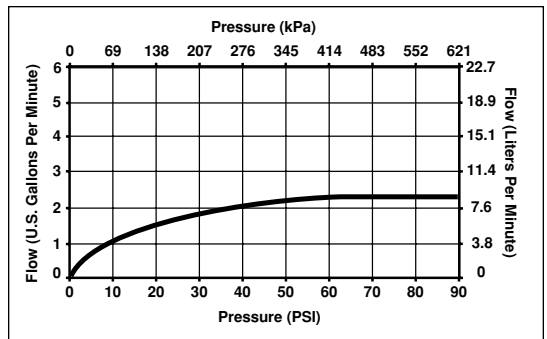


STANDARD SPECIFICATIONS:

- Two handle lavatory faucets for concealed mounting on three hole sinks.
- Solid brass fabricated end valves and spout body.
- Widespread 6"-16" (152 mm-406 mm) centers.
- 5 3/4" (146 mm) long, 11" (279 mm) high rigid gooseneck spout.
- Metal wrist blade handles. Vandal resistant red/blue screws indicate hot/cold temperature.
- Control mechanism shall be of the rotating cylinder type with stainless steel plate and 1/4 turn stops. Replaceable non-metallic seats operate in stainless steel lined sockets.
- Hot and cold stems are interchangeable.
- 2.2 gpm (8.3 L/min) laminar flow outlet.
- 3/8" O.D. copper supply tube inlets with 1/2"-14 NPSM adapters.
- Metal grid strainer (3579-WFHDF).
- Available Options for Field Conversion:
 - Vandal resistant aerator with wrench - 2.2 gpm (8.3L/min). Chrome plated. Order RP246.
 - Vandal resistant laminar flow spray outlet with wrench - 2.2 gpm (8.3L/min). Chrome plated. Order RP21966.
 - Vandal resistant spray outlet with wrench - .5 gpm (1.9L/min). Chrome plated. Order RP31704.

COMPLIES WITH:

- ASME A112.18.1
- CSA B125
- Indicates ADA compliance to CABO/ANSI A117.1
- IAPMO Listed
- CSA Certified



Delta reserves the right (1) to make changes in specifications and materials, and (2) to change or discontinue models, both without notice or obligation. Dimensions are for reference only. See current full-line price book or www.specselectonline.com for finish options and product availability.