



3L09-1

SNAP DISC FIXED TEMPERATURE BOARD MOUNT LIMITS

1/2" Automatic reset snap disc thermostats with ranges for all your system needs.

FEATURES

- Proven reliability in a compact, versatile, cost-effective design
- Provides high-speed contact separation

SPECIFICATIONS

Switch ActionSPST Open on Rise
 Electrical RatingsResistive 15A @ 120 VAC, 13A @ 240 VAC,
Inductive 5.8 FLA, 34.8LRA @ 120 VAC; 2.9FLA, 13.0 LRA @ 240 VAC
 Pilot Duty 125 VAC
 Dimensions37"H X 1.32"W X 1.23"L
 Weight 0.2 oz.
 UR/CUR File NumberE19279
 CSA/CUS Certificate Number LR77886/LR109556
 VDE Lic. 118631

SNAP DISC FIXED TEMPERATURE BOARD MOUNT LIMITS

APPLICATIONS	CUT-IN	CUT-OUT	SWITCH ACTION	TOD TYPE	TOD STYLE	LENGTH (IN)	MODEL NUMBER	ITEM NUMBER
Snap Disc Board Mount Limit - Automatic Reset	100°F (38°C)	140°F (60°C)	Open on Rise	36T01B2	612700	1.87	3L09-1	03L09 001S1
	130°F (54°C)	170°F (77°C)	Open on Rise	36T01B2	612708	1.87	3L09-2	03L09 002S1
	110°F (43°C)	140°F (60°C)	Open on Rise	36T01B3	612701	3.12	3L09-3	03L09 003S1
	130°F (54°C)	150°F (66°C)	Open on Rise	36T01B3	612703	3.12	3L09-4	03L09 004S1
	140°F (60°C)	160°F (71°C)	Open on Rise	36T01B3	612706	3.12	3L09-5	03L09 005S1
	130°F (54°C)	170°F (77°C)	Open on Rise	36T01B3	612710	3.12	3L09-6	03L09 006S1
	145°F (63°C)	175°F (79°C)	Open on Rise	36T01B3	612711	3.12	3L09-7	03L09 007S1
	140°F (60°C)	180°F (82°C)	Open on Rise	36T01B3	612714	3.12	3L09-8	03L09 008S1
	170°F (77°C)	190°F (88°C)	Open on Rise	36T01B3	612715	3.12	3L09-9	03L09 009S1
	160°F (71°C)	200°F (93°C)	Open on Rise	36T01B3	612718	3.12	3L09-10	03L09 010S1
	170°F (77°C)	210°F (99°C)	Open on Rise	36T01B3	612719	3.12	3L09-11	03L09 011S1
	180°F (82°C)	220°F (104°C)	Open on Rise	36T01B3	612722	3.12	3L09-12	03L09 012S1
	210°F (99°C)	240°F (116°C)	Open on Rise	36T01B3	612723	3.12	3L09-13	03L09 013S1
	210°F (99°C)	250°F (121°C)	Open on Rise	36T01B3	612725	3.12	3L09-14	03L09 014S1
	230°F (110°C)	260°F (127°C)	Open on Rise	36T01B3	612727	3.12	3L09-15	03L09 015S1
	130°F (54°C)	150°F (66°C)	Open on Rise	36T01B3	612704	3.12	3L09-16	03L09 016S1
	225°F (107°C)	250°F (121°C)	Open on Rise	36T01B3	612726	3.12	3L09-17	03L09 017S1
	125°F (62°C)	155°F (68°C)	Open on Rise	36T01B3	612705	7.12	3L09-18	03L09 018S1
	145°F (63°C)	175°F (79°C)	Open on Rise	36T01B3	612712	7.12	3L09-19	03L09 019S1
	210°F (99°C)	240°F (116°C)	Open on Rise	36T01B3	612724	7.12	3L09-20	03L09 020S1
	140°F (60°C)	160°F (71°C)	Open on Rise	36T01B3	612707	3.12	3L09-22	03L09 022S1
	150°F (66°C)	170°F (77°C)	Open on Rise	36T01B3	612709	3.12	3L09-23	03L09 023S1
	170°F (77°C)	190°F (88°C)	Open on Rise	36T01B3	612716	3.12	3L09-24	03L09 024S1
	180°F (82°C)	200°F (93°C)	Open on Rise	36T01B3	612717	3.12	3L09-25	03L09 025S1
	160°F (71°C)	180°F (82°C)	Open on Rise	36T01B3	612713	1.87	3L09-26	03L09 026S1
	200°F (93°C)	220°F (104°C)	Open on Rise	36T01B3	612721	1.87	3L09-27	03L09 027S1
	180°F (82°C)	210°F (99°C)	Open on Rise	36T01B3	612720	3.12	3L09-28	03L09 028S1

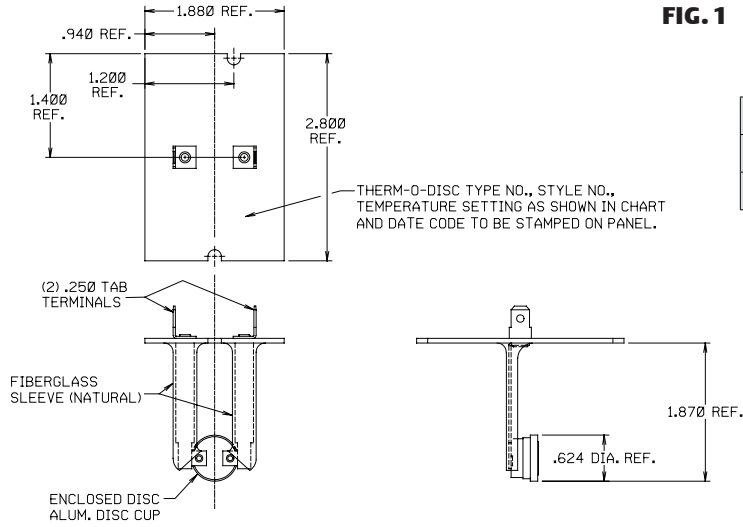


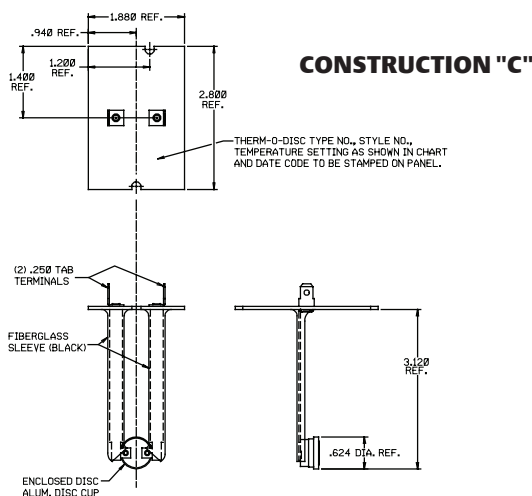
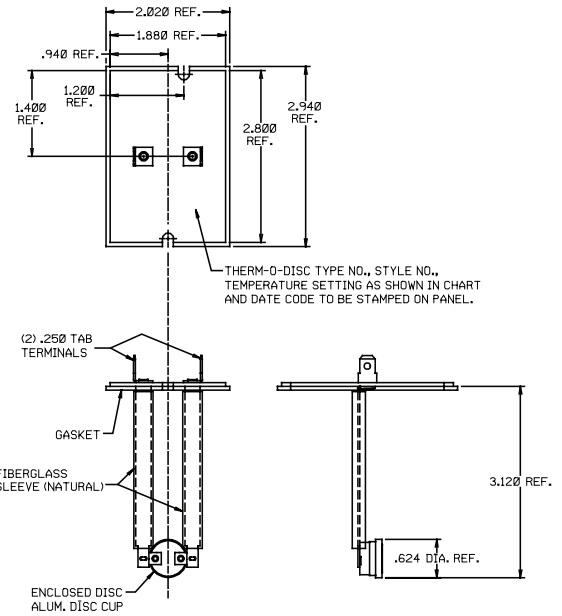
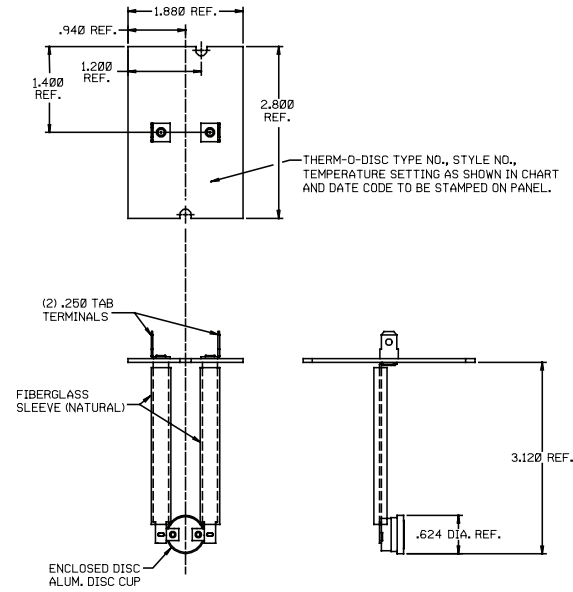
FIG. 1

MODEL NUMBER	TEMP. SETTING ON PANEL	OPEN TEMP.	CLOSE TEMP.
3L09-1	L140-40	140°F±5°	100°F±8°
3L09-2	L170-40	170°F±5°	130°F±8°

CONSTRUCTION "A"

FIG. 2

CONSTRUCTION "B"



CONSTRUCTION "C"

MODEL NUMBER	CONSTRUCTION	TEMP. SETTING ON PANEL	OPEN TEMP.	CLOSE TEMP.
3L09-3	A	L140-30F	140°F±5°	110°F±8°
3L09-4	C	L150-20F	150°F±5°	130°F±8°
3L09-5	C	L160-20F	160°F±5°	140°F±8°
3L09-6	B	L170-40F	170°F±5°	130°F±8°
3L09-7	A	L175-30F	175°F±5°	145°F±8°
3L09-8	B	L180-40F	180°F±6°	140°F±9°
3L09-9	C	L190-20F	190°F±5°	170°F±8°
3L09-10	B	L200-40F	200°F±6°	160°F±9°
3L09-11	B	L210-40F	210°F±6°	170°F±9°
3L09-12	B	L220-40F	220°F±6°	180°F±9°
3L09-13	A	L240-30F	240°F±6°	210°F±10°
3L09-14	B	L250-40F	250°F±7°	210°F±11°
3L09-15	A	L260-30F	260°F±6°	230°F±10°

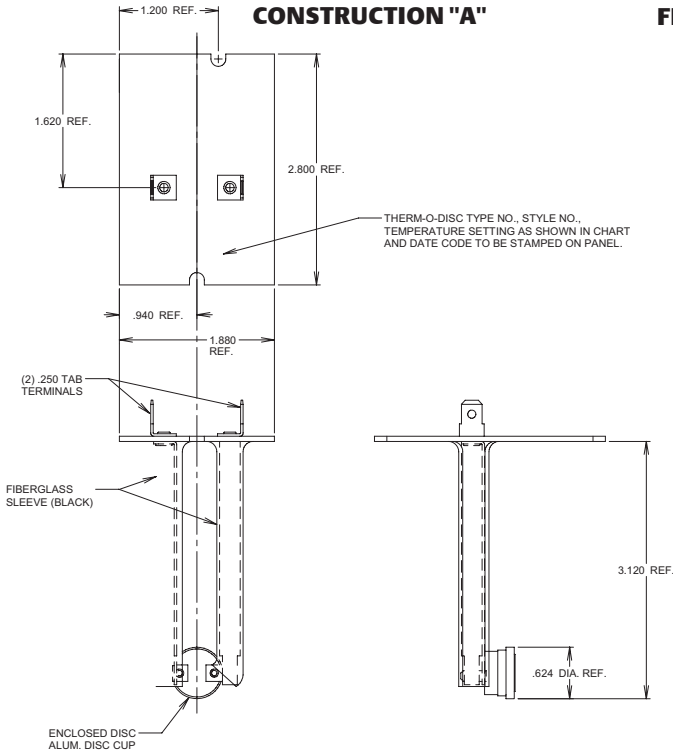
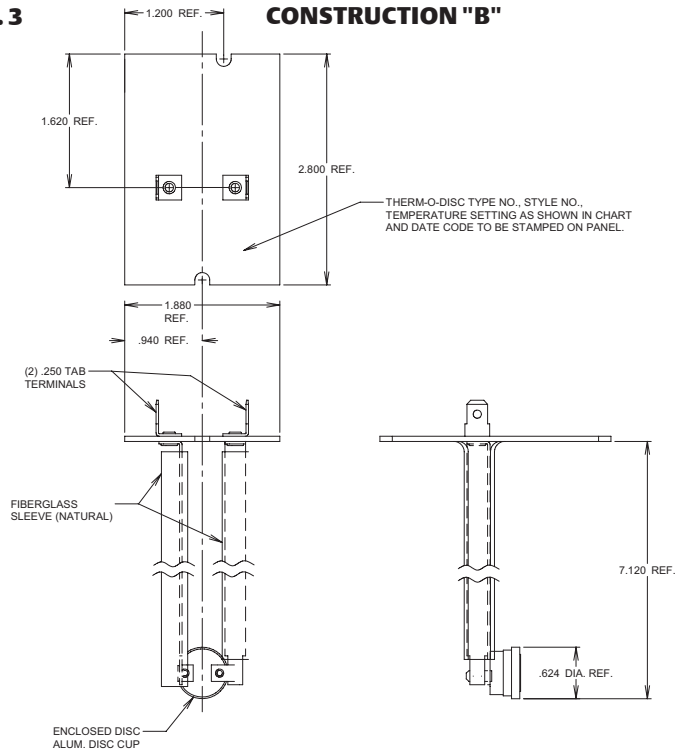


FIG. 3



MODEL NUMBER	CONSTRUCTION	TEMP. SETTING ON PANEL	OPEN TEMP.	CLOSE TEMP.
3L09-16	A	L150-20F	150°F±5°	130°F±8°
3L09-17	A	L250-25F	250°F±6°	225°F±9°
3L09-18	B	L155-30F	155°F±5°	125°F±8°
3L09-19	B	L175-30F	175°F±5°	145°F±8°
3L09-20	B	L240-30F	240°F±6°	210°F±10°

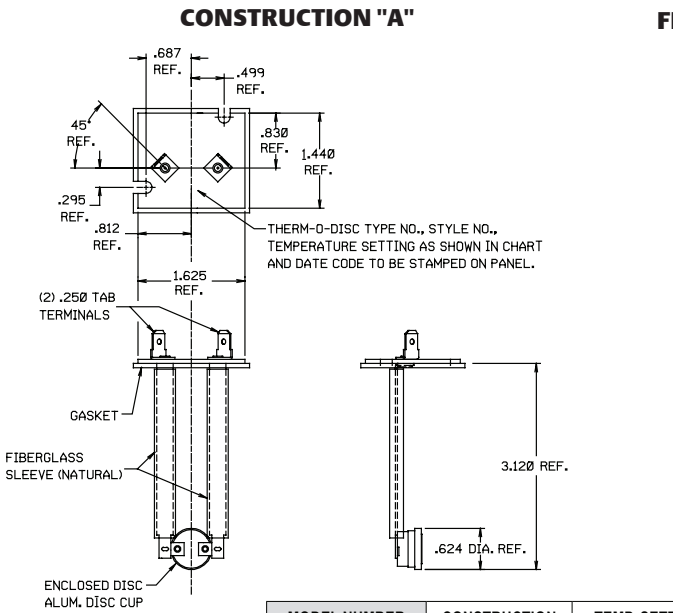
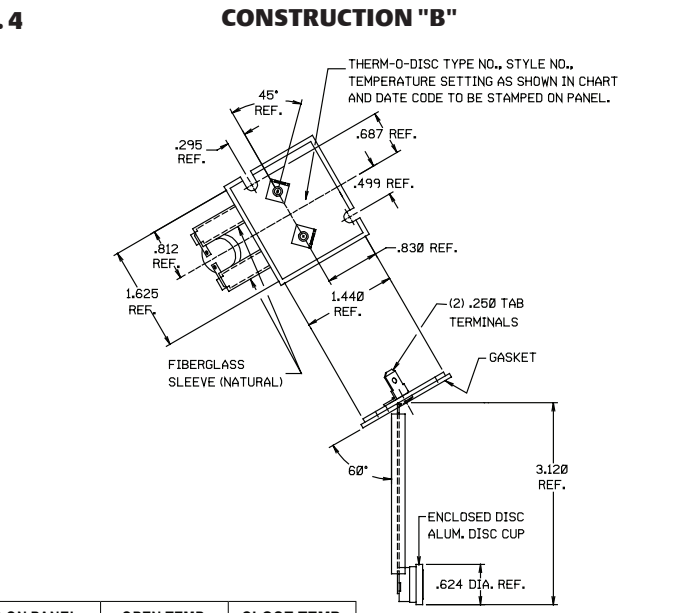
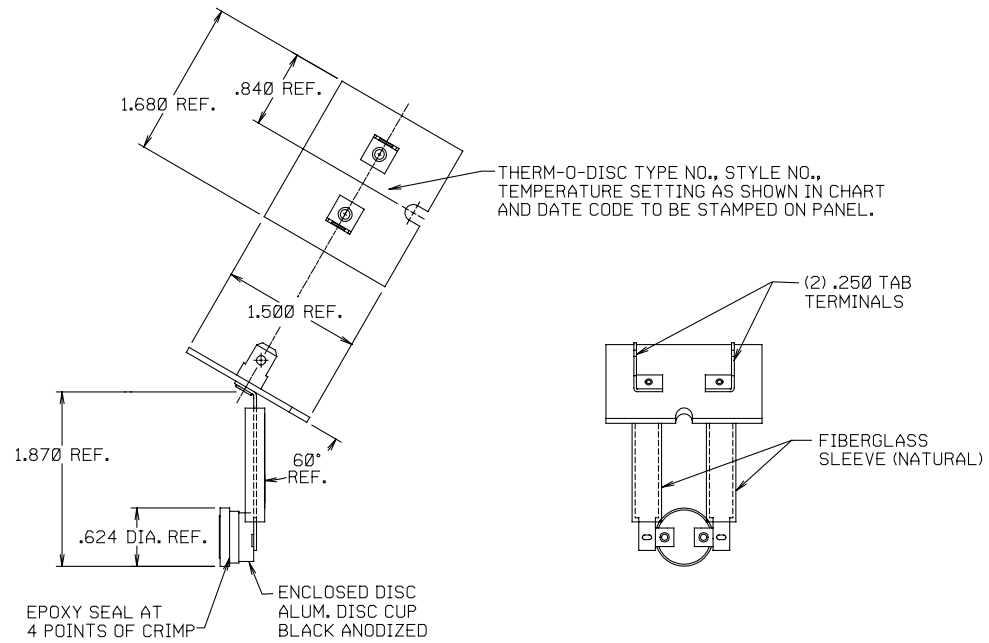


FIG. 4



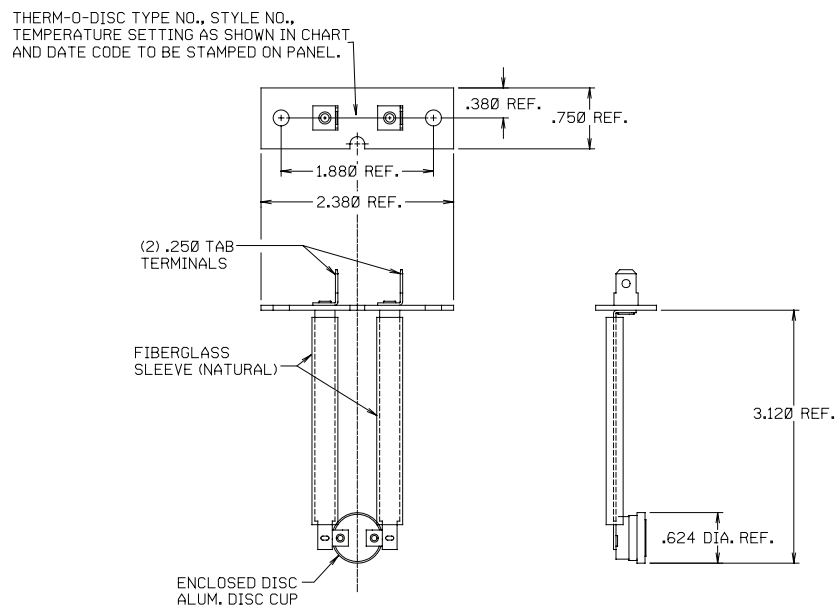
MODEL NUMBER	CONSTRUCTION	TEMP. SETTING ON PANEL	OPEN TEMP.	CLOSE TEMP.
3L09-22	A	L160-20F	160°F±5°	140°F±8°
3L09-23	A	L170-20F	170°F±5°	150°F±8°
3L09-24	B	L190-20F	190°F±5°	170°F±8°
3L09-25	B	L200-20F	200°F±5°	180°F±8°

FIG. 5



MODEL NUMBER	TEMP. SETTING ON PANEL	OPEN TEMP.	CLOSE TEMP.
3L09-26	L180-20F	180°F±5°	160°F±8°
3L09-27	L220-20F	220°F±5°	200°F±8°

FIG. 6



MODEL NUMBER	TEMP. SETTING ON PANEL	OPEN TEMP.	CLOSE TEMP.
3L09-28	L210-30F	210°F±5°	180°F±8°



3L12-130

SNAP DISC MANUAL RESET FLAME ROLLOUT LIMITS

Manual reset flame rollout limit switches designed for safety in gas fired furnaces, unit heater and roof-top units.

FEATURES

- Loose ring, stainless steel mounting brackets
- 1/4" quick connect terminals. 90° orientation to mounting hole
- Manual reset
- Stainless steel disc cup

SPECIFICATIONS

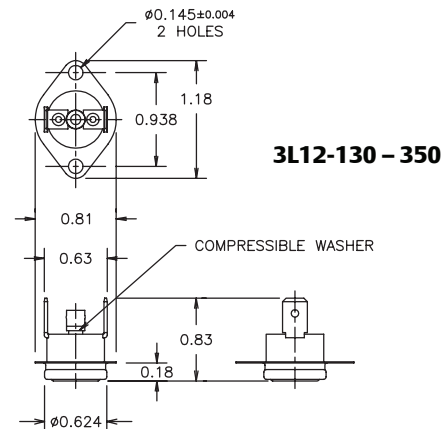
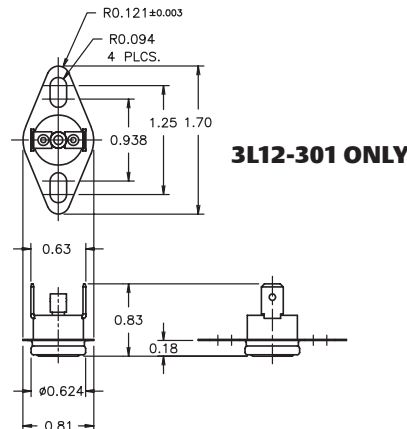
Switch Action SPST Open on Rise
 Electrical Ratings Resistive 15A @ 120 Vac, 10A @ 240 VAC
 Inductive 1.5 FLA, 25.0 LRA @ 120 Vac; 1.5 FLA, 6.0LRA @ 240 VAC
 Pilot Duty 125 VA
 Dimensions
 3L12-30183"H X .81"W X 1.18"L
 Others83"H X .81"W X 1.70"L
 Weight 0.2 oz.
 UR/CUR File Number E19279
 CSA/CUS Certificate Number LR77886/LR109556
 VDE Lic. 118631

SNAP DISC MANUAL RESET FLAME ROLLOUT LIMITS

APPLICATION	FIXED TEMPERATURE SETTINGS CUT-IN	FIXED TEMPERATURE SETTINGS CUT-OUT	SWITCH ACTION	THERM-O-DISC TYPE	THERM-O-DISC STYLE	MODEL NUMBER	ITEM NUMBER
Snap Disc Limit - Manual Reset	Manual Reset	130°F (54°C)	Open on Rise	36TX16	611863	3L12-130	3L12-130
	Manual Reset	135°F (57°C)	Open on Rise	36TX16	611864	3L12-135	3L12-135
	Manual Reset	220°F (104°C)	Open on Rise	36TX16	611865	3L12-220	3L12-220
	Manual Reset	230°F (110°C)	Open on Rise	36TX16	611866	3L12-230	3L12-230
	Manual Reset	240°F (116°C)	Open on Rise	36TX16	611867	3L12-240	3L12-240
	Manual Reset	250°F (121°C)	Open on Rise	36TX16	611868	3L12-250	3L12-250
	Manual Reset	260°F (127°C)	Open on Rise	36TX16	611869	3L12-260	3L12-260
	Manual Reset	300°F (149°C)	Open on Rise	36TX16	611870	3L12-300	3L12-300
	Manual Reset	350°F (177°C)	Open on Rise	36TX16	611871	3L12-350	3L12-350
	Manual Reset	300°F (149°C)	Open on Rise	36TX16	611971	3L12-301*	3L12-301*

* Specifically designed for ICP part #1013102

3L12 SERIES OUTLINE DIAGRAMS





3F01-130

SNAP DISC FIXED TEMPERATURE FAN LIMITS

Automatic reset, manual reset and SPDT styles for fans, blowers or high limit cut out.

FEATURES

- Loose ring, stainless steel mounting brackets
- Mounting holes match standard 3/4" snap discs
- 1/4" quick connect terminals
- Last three numbers indicate cut-in temperatures on fan controls and cut-out temperatures on limits

SPECIFICATIONS

Maximum Ambient.....350°F
 Switch Action SPST Open or Close on Rise
 Electrical RatingsResistive 25A @ 120 VAC, 25A @ 240 VAC
 Inductive 10 FLA, 60 LRA @ 120 VAC; .5 FLA, 30 LRA @ 240 VAC
 3L03: Terminals 1 & 2 Close on RiseResistive 25A @ 120 VAC, 25A @ 240 VAC
 Inductive 5.8 FLA, 34.8 LRA @ 120 VAC; 2.9 FLA, 17.4 LRA @ 240 VAC
 3L03: Terminals 1 & 3 Open on RiseResistive 25A @ 120 VAC, 25A @ 240 VAC
 Inductive 10 FLA, 60 LRA @ 120 VAC; .5 FLA, 30 LRA @ 240 VAC
 Pilot Duty 125 VA
 Dimensions37"H X 1.32"W X 1.23"L
 Weight 0.2 oz.
 UR/CUR File NumberE19279
 CSA/CUS Certificate Number..... LR77886/LR109556
 VDE Lic. 118631

SNAP DISC FIXED TEMPERATURE FAN LIMITS

APPLICATION	FIXED TEMPERATURE SETTINGS CUT-IN	FIXED TEMPERATURE SETTINGS CUT-OUT	SWITCH ACTION	THERM-O-DISC TYPE	THERM-O-DISC STYLE	MODEL NUMBER	ITEM NUMBER
Snap Disc Fan - Automatic Reset SPST	110°F (43°C)	90°F (32°C)	Close on Rise	60T12	610044	3F01-110	03F01 110S1
	120°F (49°C)	110°F (43°C)	Close on Rise	60T12	610046	3F01-120	03F01 120S1
	130°F (54°C)	115°F (46°C)	Close on Rise	60T12	610047	3F01-130	03F01 130S1
	140°F (60°C)	120°F (49°C)	Close on Rise	60T12	611866	3F01-140	03F01 140S1
	150°F (66°C)	130°F (54°C)	Close on Rise	60T12	610050	3F01-150	03F01 150S1
	160°F (71°C)	140°F (60°C)	Close on Rise	60T12	610064	3F01-160	03F01 160S1
	180°F (82°C)	160°F (71°C)	Close on Rise	60T12	610065	3F01-180	03F01 180S1
	200°F (93°C)	180°F (82°C)	Close on Rise	60T12	610066	3F01-200	03F01 200S1
	350°F (177°C)	320°F (160°C)	Close on Rise	60T12	610067	3F01-350	03F01 350S1
Snap Disc Limit - Automatic Reset SPST	110°F (43°C)	120°F (49°C)	Open on Rise	60T11	610000	3L01-120	03L01 120S1
	115°F (46°C)	130°F (54°C)	Open on Rise	60T11	610002	3L01-130*	03L01 130S1
	100°F (38°C)	140°F (60°C)	Open on Rise	60T11	610006	3L01-140	03L01 140S1
	110°F (43°C)	150°F (66°C)	Open on Rise	60T11	610009	3L01-150	03L01 150S1
	125°F (52°C)	165°F (74°C)	Open on Rise	60T11	610069	3L01-165	03L01 165S1
	130°F (54°C)	170°F (77°C)	Open on Rise	60T11	610012	3L01-170	03L01 170S1
	140°F (60°C)	180°F (82°C)	Open on Rise	60T11	610013	3L01-180	03L01 180S1
	150°F (66°C)	190°F (88°C)	Open on Rise	60T11	610015	3L01-190	03L01 190S1
	160°F (71°C)	200°F (93°C)	Open on Rise	60T11	610016	3L01-200	03L01 200S1
	190°F (88°C)	230°F (110°C)	Open on Rise	60T11	610021	3L01-230	03L01 230S1
	210°F (99°C)	250°F (121°C)	Open on Rise	60T11	610023	3L01-250**	03L01 250S1
	250°F (121°C)	300°F (149°C)	Open on Rise	60T11	610026	3L01-300*	03L01 300S1
	310°F (154°C)	350°F (177°C)	Open on Rise	60T11	610068	3L01-350	03L01 350S1

SNAP DISC FIXED TEMPERATURE FAN LIMITS (CONTINUED)

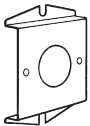
APPLICATION	FIXED TEMPERATURE SETTINGS CUT-IN	FIXED TEMPERATURE SETTINGS CUT-OUT	SWITCH ACTION	THERM-O-DISC TYPE	THERM-O-DISC STYLE	MODEL NUMBER	ITEM NUMBER
Snap Disc Limit - Manual Reset SPST	Manual Reset	160°F (71°C)	Open on Rise	60T15	330534	3L02-160	03L02 160S1
	Manual Reset	170°F (77°C)	Open on Rise	60T15	330535	3L02-170	03L02 170S1
	Manual Reset	180°F (82°C)	Open on Rise	60T15	330536	3L02-180	03L02 180S1
	Manual Reset	190°F (88°C)	Open on Rise	60T15	330537	3L02-190	03L02 190S1
	Manual Reset	200°F (93°C)	Open on Rise	60T15	330538	3L02-200	03L02 200S1

* 3L01-130 and -300 terminals at 30° angle
 ** 3L01-250 terminals is perpendicular to bracket

SNAP DISC FIXED TEMPERATURE FAN LIMITS

APPLICATION	TERMINAL 1 & 3 CUT-IN (CLOSES ON FALL) AT:	TERMINAL 1 & 3 CUT-OUT (OPENS ON RISE) AT:	TERMINAL 1 & 2 CUT-IN (CLOSES ON RISE) AT:	TERMINAL 1 & 2 CUT-OUT (OPEN ON FALL) AT:	SWITCH ACTION	THERM-O-DISC TYPE	THERM-O-DISC STYLE	MODEL NUMBER	ITEM NUMBER
Snap Disc Fan or Limit - Automatic Reset SPDT	120°F (49°C)	140°F (60°C)	140°F (60°C)	120°F (49°C)	SPDT	60T13	611015	3L03-140	03L03 140S1
	170°F (77°C)	190°F (88°C)	190°F (88°C)	170°F (77°C)	SPDT	60T13	611014	3L03-190	03L03 190S1

PARTS AND ACCESSORIES

IMAGE	DESCRIPTION	MODEL NUMBER	ITEM NUMBER
	Fan and limit mounting adapter for 3F01 / 3L01 / 3L02 / 3F02 / 3L03 / 3F05 / 3L05 series controls.	F6-1798	F0006 179800S1



3L05-2

SNAP DISC ADJUSTABLE TEMPERATURE FAN LIMITS

3/4" adjustable automatic reset snap disc thermostats allows you to set the temperature set point to match your specific needs.

FEATURES

- 1/4" quick connect terminals are standard
- Reduces inventory while providing coverage for a wide range of temperature applications
- Replaces the majority of fixed disc thermostats now on heating equipment and various appliances
- 2 adjustable fan control models replace 7 fixed snap disc models
- 5 adjustable limit control models replace 10 fixed snap disc models

SPECIFICATIONS

Switch Action SPST Open or Close on Rise
 Electrical Ratings Resistive 25A @ 120 VAC, 25A @ 240 VAC,
 Inductive 14 FLA, 72 LRA @ 120 VAC; 10 FLA, 60 LRA @ 240 VAC
 Pilot Duty 125 VA
 Dimensions37"H X 1.32"W X 1.23"L
 Weight 0.2 oz.
 UR/CUR File Number E19279
 CSA/CUS Certificate Number LR77886/LR109556
 VDE Lic. 118631

SNAP DISC FIXED TEMPERATURE FAN LIMITS

APPLICATION	TEMPERATURE SETPOINT RANGE	SWITCH ACTION	DIFFERENTIAL	THERM-O-DISC TYPE	THERM-O-DISC STYLE	MODEL NUMBER	ITEM NUMBER
Snap Disc Fan - Adjustable Setting, Automatic Reset	90°F (32°C), to 130°F (54°C)	Close on Rise	20°F (11°C)	74T12	310708	3F05-1	03F05 001S1
	140°F (60°C), to 180°F (82°C)	Close on Rise	20°F (11°C)	74T12	310709	3F05-2	03F05 002S1
	135°F (57°C), to 175°F (79°C)	Open on Rise	40°F (22°C)	74T11	310710	3L05-1	03L05 001S1
	175°F (79°C), to 215°F (102°C)	Open on Rise	40°F (22°C)	74T11	310711	3L05-2	03L05 002S1
	210°F (99°C), to 250°F (121°C)	Open on Rise	40°F (22°C)	74T11	310712	3L05-3	03L05 003S1
	135°F (57°C), to 175°F (79°C)	Open on Rise	20°F (11°C)	74T11	310724	3L05-10	03L05 010S1
	250°F (121°C), to 290°F (143°C)	Open on Rise	40°F (22°C)	74T11	310730	3L05-13	03L05 013S1

PARTS AND ACCESSORIES

IMAGE	DESCRIPTION	MODEL NUMBER	ITEM NUMBER
	Fan and limit mounting adapter for 3F01 / 3L01 / 3L02 / 3F02 / 3L03 / 3F03 / 3L05 series controls.	F6-1798	F0006 179800S1



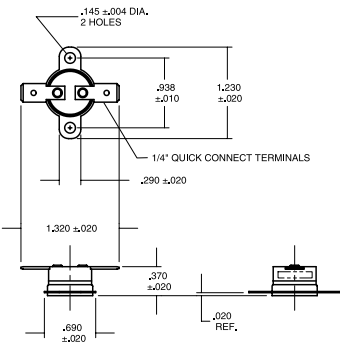
SNAP DISC AUTOMATIC RESET FAN LIMITS

1/2" Automatic reset snap disc thermostats for appliance and HVAC.

FEATURES

- Loose ring, stainless steel mounting brackets
- 1/4" quick connect terminals
- Aluminum disc cup
- Last three numbers indicate cut-in temperatures on fan controls and cut-out temperatures on limits

3F11-100



SPECIFICATIONS

Switch Action SPST Open or Close on Rise
 Electrical Ratings Resistive 15A @ 120 VAC, 10A @ 240 VAC,
 Inductive 3.0 FLA, 12.0LRA @ 120 VAC; 1.5FLA, 6.0LRA @ 240 VAC
 Pilot Duty 125 VA
 Dimensions37\"/>

SNAP DISC AUTOMATIC RESET FAN LIMITS

APPLICATION	CUT-IN	CUT-OUT	SWITCH ACTION	DIFFERENTIAL	THERM-O-DISC TYPE	THERM-O-DISC STYLE	MODEL NUMBER	ITEM NUMBER
Snap Disc Fan - Automatic Reset	100°F (38°C)	70°F (21°C)	Close on rise	30°F (17°C)	36T22	10844	3F11-100	03F11 100
	120°F (49°C)	90°F (32°C)	Close on rise	30°F (17°C)	36T22	10847	3F11-120	03F11 120
	140°F (60°C)	110°F (43°C)	Close on rise	30°F (17°C)	36T22	10849	3F11-140	03F11 140
	170°F (77°C)	140°F (60°C)	Close on rise	30°F (17°C)	36T22	10853	3F11-170	03F11 170
	180°F (82°C)	150°F (66°C)	Close on rise	30°F (17°C)	36T22	10856	3F11-180	03F11 180
	225°F (107°C)	195°F (91°C)	Close on rise	30°F (17°C)	36T22	10860	3F11-225	03F11 225
	240°F (116°C)	140°F (60°C)	Close on rise	100°F (56°C)	36T22	10862	3F11-240	03F11 240
Snap Disc Limit - Automatic Reset	40°F (4°C)	60°F (16°C)	Open on rise	20°F (12°C)	36T21	10842	3L11-60	03L11 060
	70°F (21°C)	85°F (29°C)	Open on rise	15°F (8°C)	36T21	10843	3L11-85	03L11 085
	110°F (43°C)	80°F (27°C)	Open on rise	30°F (17°C)	36T21	10845	3L11-110	03L11 110
	90°F (32°C)	120°F (49°C)	Open on rise	30°F (17°C)	36T21	10846	3L11-120	03L11 120
	110°F (43°C)	140°F (60°C)	Open on rise	30°F (17°C)	36T21	10848	3L11-140	03L11 140
	120°F (49°C)	150°F (66°C)	Open on rise	30°F (17°C)	36T21	10850	3L11-150	03L11 150
	130°F (54°C)	160°F (71°C)	Open on rise	30°F (17°C)	36T21	10851	3L11-160	03L11 160
	140°F (60°C)	170°F (77°C)	Open on rise	30°F (17°C)	36T21	10852	3L11-170	03L11 170
	160°F (71°C)	175°F (79°C)	Open on rise	15°F (8°C)	36T21	10854	3L11-175	03L11 175
	150°F (66°C)	180°F (82°C)	Open on rise	30°F (17°C)	36T21	10855	3L11-180	03L11 180
	160°F (71°C)	190°F (88°C)	Open on rise	30°F (17°C)	36T21	10857	3L11-190	03L11 190
	180°F (82°C)	210°F (99°C)	Open on rise	30°F (17°C)	36T21	10858	3L11-210	03L11 210
	190°F (88°C)	220°F (104°C)	Open on rise	30°F (17°C)	36T21	10859	3L11-220	03L11 220
	200°F (93°C)	230°F (110°C)	Open on rise	30°F (17°C)	36T21	10861	3L11-230	03L11 230
	220°F (104°C)	250°F (121°C)	Open on rise	30°F (17°C)	36T21	10863	3L11-250	03L11 250
	275°F (135°C)	325°F (163°C)	Open on rise	50°F (28°C)	36T21	10864	3L11-325	03L11 325



230-22

230-22 FAN CONTROL

Provides regulation of duct temperatures in conjunction with air handling units or control of circulator for indoor-outdoor regulation from a remote point.

FEATURES

- Hydraulic action element - Unaffected by vibration
- Switch case mounts in any position - No leveling required. Includes bulb mounting clip
- High electrical rating permits operation of most equipment without use of relays or motor starters
- Dustproof steel case - Dial visible and can be adjusted through cover. Case has knockouts on top and bottom

SPECIFICATIONS

Dimensions 5.75"H X 2.32"W X 2.56"D
 Finish..... Grey
 UR/CUR File NumberE12615

230-22 FAN CONTROL

SWITCH ACTION	RANGE	DIFFERENTIAL	CAPILLARY LENGTH	BULB SIZE	MOTOR RATING (FULL LOAD)		RESISTIVE (NON-INDUCTIVE)		MODEL NUMBER	ITEM NUMBER
					120 VAC	240 VAC	120 VAC	240 VAC		
Open on Rise (Heating)	20 to 120°F (-6 to 49°C)	Adj. 4 to 30°F (2.2 to 17°C)	8 ft.	6-1/4 x 3/8"	14.0A	7.0A	25.0A	22.0A	230-22 ①	02 30 022S1

① U.L. approved adjustable dial stop, factory set at 90°F maximum.
 See White-Rodgers General Information for full electrical ratings.