

SPEAKMAN® S-2500

Arm and Flange

FEATURES:

- Polished chrome plated brass or stainless steel
7 in. shower arm
- Polished chrome plated brass or stainless steel
wall flange
- 1/2 in. NPTM connections

FINISH:

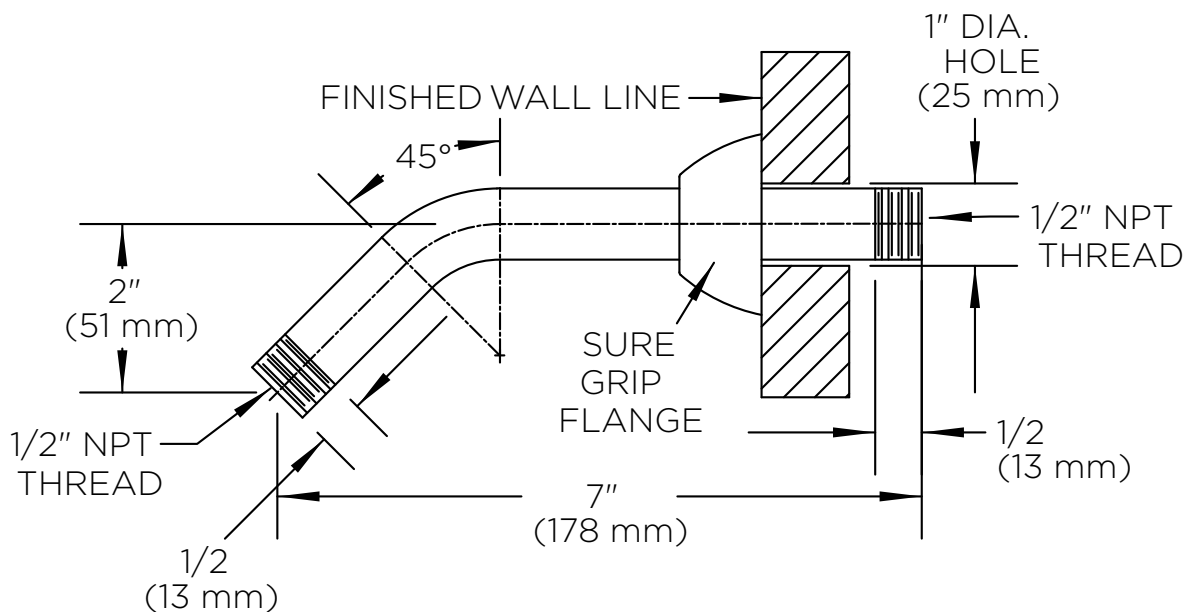


WARRANTY:

- 1 year limited



DIMENSIONS:

 NOTE: 1. All dimensions are in inches (millimeters) unless otherwise specified and are subject to change without notice.

Architect/Engineer Approval Space:

SPEAKMAN
400 ANCHOR MILL ROAD
NEW CASTLE, DE 19720

P: 800-537-2107
F: 800-977-2747
W: WWW.SPEAKMAN.COM
R: JUNE 2015