

Two Handle Deck-Mount Faucet

COMMERCIAL



SPECIFICATION: (EXAMPLE)

- **HEAVY DUTY CAST BRASS** sink faucet
- 8" (203mm) center two handle
- Polished chrome-plated finish with polished underspout
- **BRASS** swing spout or 3/8" IPS **BRASS PIPE** Rigid/Swivel Gooseneck Spout
- Metal hold-down package
- Designed for routine 180°F (82°C) disinfection cycles up to 30 mins
- Color indexed metal handles with vandal resistant screws
- **CER-TECK®** 1/4 turn ceramic structures

OPTIONAL FEATURES

- 120° Limited swing gooseneck
- Color indexed metal handles with vandal resistant screws
- Copper Defense™ technology with CuVerro Shield™ alloys
 - Safe to use, no harmful chemicals
 - Efficacy for life of the product
 - Durable materials
 - Laboratory testing has shown that when cleaned regularly this surface:
 - Reduces bacteria contamination, achieving 99.9% reduction within 2 hours of exposure
 - Delivers continuous and ongoing antibacterial action

MODEL NUMBER EXAMPLE:

Configurations vary, see below for availability.

26C3933-LS

Variation

- 1 = 8" (203mm) Wallform spout
- 2 = 8" (203mm) Tubular spout
- 9 = 6" (152mm) Gooseneck spout

Outlet

- 2 = Vandal resistant laminar outlet
- 3 = Vandal resistant aerator
- 4 = Standard aerator outlet
- 5 = Vandal resistant spray outlet
- 7 = Smoot end, laminar outlet

- 1.5 gpm (5.7 L/min)
- 1.5 gpm (5.7 L/min)
- 1.5 gpm (5.7 L/min)
- 0.5 gpm (1.9 L/min)
- 1.0 gpm (3.8 L/min)

Handle

- 1 = 5-Fluted
- 2 = Hooded blade
- 3 = Hooded lever
- 4 = Blade w/sanitary hood
- 5 = Wrist w/sanitary hood

Options

- LS = 120° Limited swing gooseneck
- TI = Handle temperature indicators "H" (red), "C" (blue)
- CV = Handles with CuVerro® bactericidal surfaces
- R# = Optional gooseneck: (spout dimensions)
 - R2 = 4.5" (114mm) long, 11.7" (297mm) high
 - R5 = 6" (152mm) long, 13.2" (335mm) high
 - R6 = 6" (152mm) long, 14.8" (376mm) high
 - R7 = 9" (229mm) long, 13.9" (353mm) high
- S# = Optional swing spout dimensions: (spout dimensions)
 - S3 = 6" (152mm) Tubular
 - S7 = 11" (279mm) Tubular
 - S8 = 14" (356mm) Tubular

Available Models		Variations						
		1 Wallform S2 Spout 8" (203mm)		2 Tubular S5 Spout 8" (203mm)		9 Gooseneck R4 Spout 6" (152mm) long, 11.6" (294.6mm) high		
Handles	1 5-Fluted	26C3131 26C3141	26C3221 26C3231 26C3241	26C3931				
	2 Hooded Blade 4" (102 mm)	26C3122 26C3132 26C3142 26C3152	26C3222 26C3222-TI 26C3232 26C3232-S7 26C3242	26C3242-S8 26C3242-TI 26C3252 26C3252-S8	26C3922 26C3922-R7 26C3922-TI 26C3932 26C3932-LS-TI	26C3932-R5 26C3932-R7 26C3942 26C3942-R5 26C3942-R6	26C3942-R7 26C3952 26C3952-R7 26C3972 26C3972-R7	
	3 Hooded Lever 3" (76 mm)	26C3123 26C3133 26C3133-TI 26C3143 26C3143-TI 26C3153	26C3223 26C3223-S8 26C3233 26C3233-S7 26C3233-S8 26C3233-TI 26C3243	26C3243-S3 26C3243-S7 26C3243-S8 26C3243-TI 26C3253 26C3253-S8	26C3923 26C3923-LS-TI 26C3933 26C3933-LS 26C3933-LS-TI 26C3933-R5	26C3933-R7 26C3943 26C3943-R2 26C3943-R5 26C3943-R7 26C3953	26C3953-LS-TI 26C3953-R7 26C3973 26C3973-TI	
	4 Blade with Sanitary Hood 4" (102 mm)	26C3124 26C3134 26C3144 26C3154	26C3224 26C3234 26C3244 26C3244-S7 26C3244-S8 26C3254	26C3254-S8	26C3924 26C3924-LS 26C3924-R7 26C3924-TI 26C3934 26C3934-LS-TI	26C3934-LS 26C3934-R2 26C3934-R5 26C3934-R7 26C3944 26C3944-CV	26C3944-LS 26C3944-R2 26C3944-R6 26C3944-R7 26C3944-TI 26C3954	26C3954-R7 26C3974 26C3974-R2 26C3974-R7
	5 Wrist with Sanitary Hood 6" (152 mm)	26C3155	26C3235	26C3935 26C3945 26C3955-R6				

Suffix "-CV" models:

Clean and sanitize according to standard practice. Healthcare facilities must maintain the product in accordance with infection control guidelines. The use of this surface is a supplement to and not a substitute for standard infection control practices; users must continue to follow all current infection control practices, including those practices related to cleaning and disinfection of environmental surfaces. This surface has been shown to reduce microbial contamination, but does not necessarily prevent cross contamination.

CuVerro® and CuVerro Shield™ are registered trademarks of Wieland North America, Inc. and are used with permission.

Flow Rates are at 60 PSI.

Delta Faucet reserves the right (1) to make changes in specifications and materials, and (2) to change or discontinue models, both without notice or obligation. Dimensions are for reference only. See current full-line price book or www.specselect.com for finish options and product availability.

NOTICE Use all pages as product submittal sheets.

DSP-26C, Rev. K

Two Handle Deck-Mount Faucet

COMMERCIAL

APPROVALS:

- Complies to ASME A112.18.1/CSA B125.1
- Indicates compliance to ICC / ANSI A117.1
- Verified compliant with 0.25% weighted average Pb content regulations
- Suffix "-CV" models are surfaced with CuVerro® alloys which are registered with Health Canada PMRA and the EPA

HANDLE TEMPERATURE INDICATORS

- Suffix "-TI" signifies handle temperature indicators "H" (red), "C" (blue). Available on selected models.



COPPER DEFENSE™ HANDLES WITH CUVERRO® BACTERICIDAL SURFACES

(Available for separate order)

- 061392A Convert to "-CV" #2, 4" hooded blade handles
- 061393A Convert to "-CV" #3, 3" hooded lever handles
- 061394A Convert to "-CV" #4, 4" blade handles with sanitary hood
- 061395A Convert to "-CV" #5, 6" wrist handles with sanitary hood

LIMITED SWING GOOSENECK

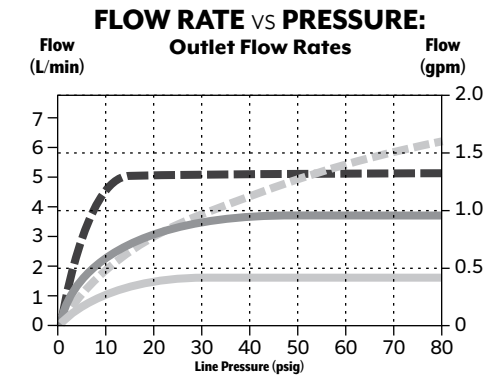
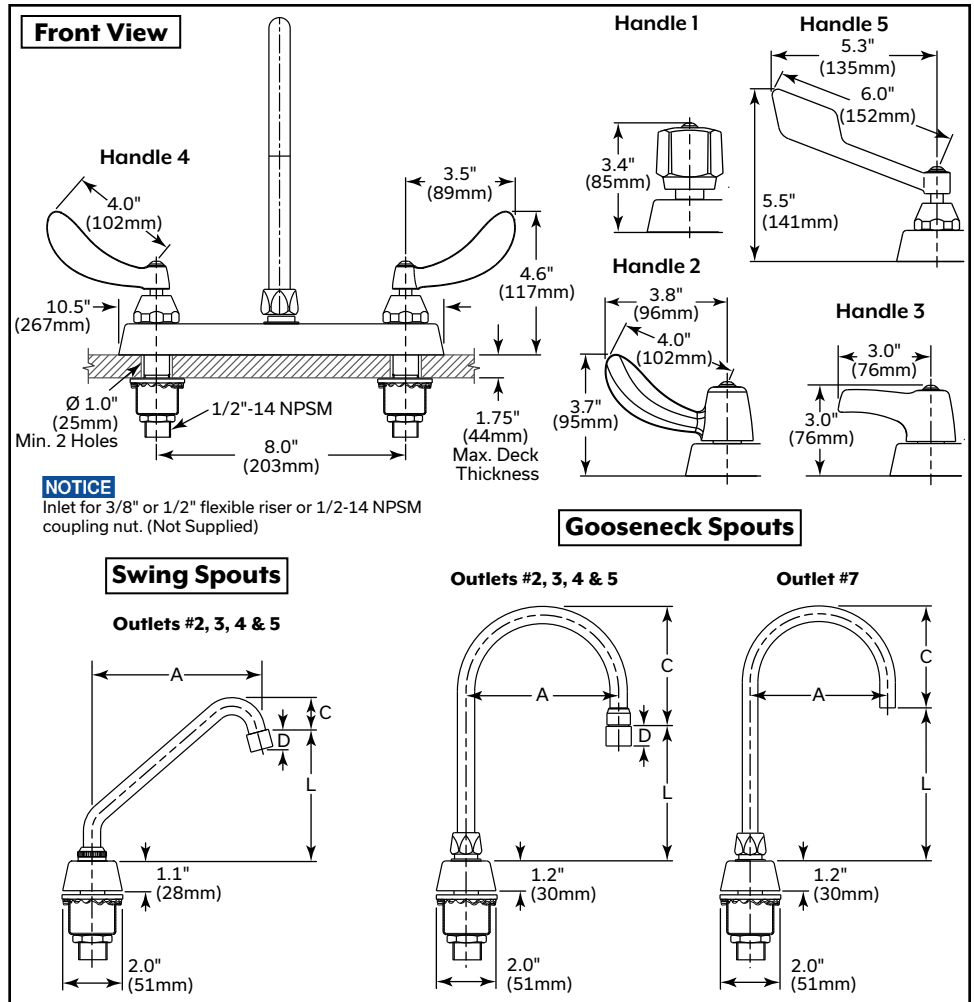
- Suffix "-LS" signifies 120° Limited Swing. Available on selected models.

OPTIONAL RIGID/SWIVEL & LIMITED SWING SPOUTS

- See DSP-R/S for detailed specification.

FOR OPTIONAL SWING SPOUTS

- See DSP-S/S for detailed specification.



Outlet No.	"D"	
	in.	mm
2	0.69	18
3	0.69	18
4	0.67	17
5	0.69	18

Gooseneck Spout Assemblies							
Spout No.	Spout Type/Outlet	"A"		"C"		"L"	
		in.	mm	in.	mm	in.	mm
9	Gooseneck Spout (R4)/Outlets #2, 3, 4 & 5	6.0	152	4.9	124	5.8	146
	Gooseneck Spout (R4)/Outlet #7			4.6	117	6.0	152

Swing Spout Assemblies							
Spout No.	Spout Type/Outlet	"A"		"C"		"L"	
		in.	mm	in.	mm	in.	mm
1	8" Wallform Spout (S2)/Outlets #2, 3, 4 & 5	8.1	206	0.6	15	5.1	130
2	8" Tubular Spout (S5)/Outlets #2, 3, 4 & 5	8.25	210	2.0	51	5.8	147

Engineer/Architect Approval

Model Specified: _____

Approval: _____ Date: _____

NOTICE Measurements may vary ± 0.25" (6mm)

Suffix "-CV" models:

Clean and sanitize according to standard practice. Healthcare facilities must maintain the product in accordance with infection control guidelines. The use of this surface is a supplement to and not a substitute for standard infection control practices; users must continue to follow all current infection control practices, including those practices related to cleaning and disinfection of environmental surfaces. This surface has been shown to reduce microbial contamination, but does not necessarily prevent cross contamination.

CuVerro® and CuVerro Shield™ are registered trademarks of Wieland North America, Inc. and are used with permission.

Delta Faucet reserves the right (1) to make changes in specifications and materials, and (2) to change or discontinue models, both without notice or obligation. Dimensions are for reference only. See current full-line price book or www.specselect.com for finish options and product availability.

NOTICE Use all pages as product submittal sheets.

Flow Rates are at 60 PSI.