

## Features

---

- 22-7/16" x 21-1/4" x 29-15/16" vanity
- To be used with 311 Enso lavatory
- Completely assembled with pre-cut top
- Solid wood legs
- Top, base and drawer are made of plywood and MDF board
- All components are finished with polyurethane
- Adjustable metal feet
- Bottom drawer opens 9-1/2"
- Rich Java color



Model 884  
Shown with 311 lavatory  
(not included)

## Components

---

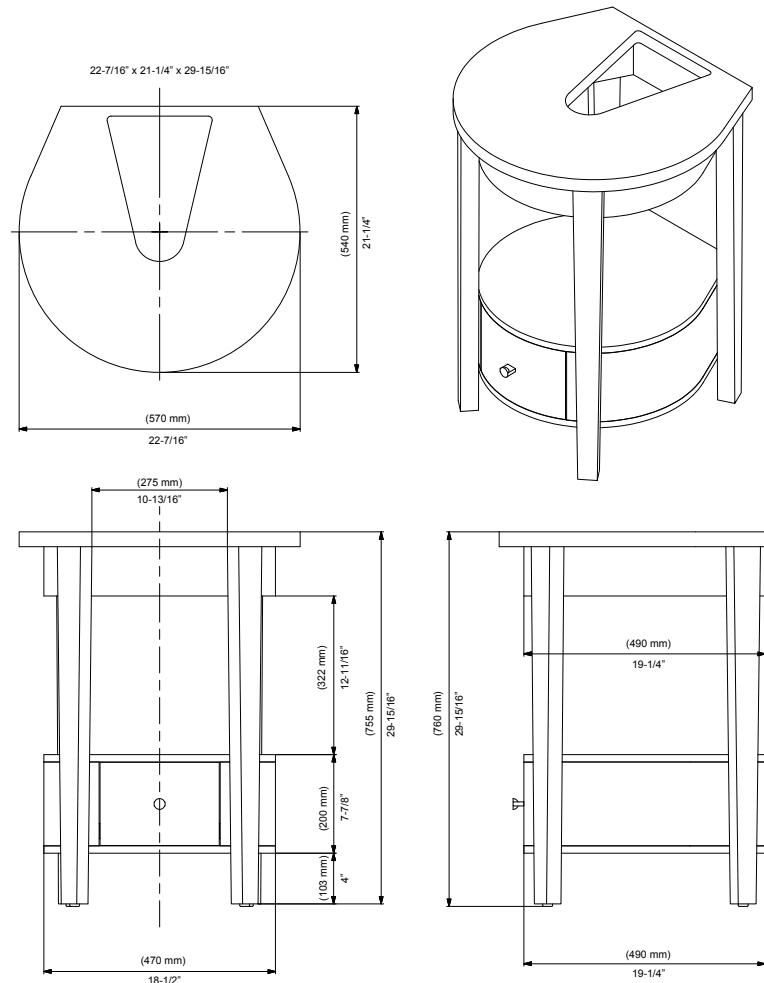
Model #	Description
884	Vanity.

## Specifications

Model #	Description
884	22-7/16" x 21-1/4" x 29-15/16" Vanity

Specification	Description	Specification	Description
Material – Vanity	Solid wood, Plywood and MDF	Shipping Weight	Model 884 - 49 lbs. (22.2 kg)

## Technical Information



See our complete line of acrylic and vitreous china bathroom fixtures, plastic tank trim and plumbing products.

These dimensions are nominal and subject to change without notice.