

4137-3121

Alto®

SmartHeight™, Elongated Front, Vitreous China, Two-Piece Toilet



Features

- 3 bolt tank-to-bowl connection
- SmartHeight™ (16-3/4" high bowl) for maximum comfort
- 1.28 gpf / 4.86 lpf low water consumption
- Uses 20% less water than conventional toilets
- Elongated front bowl
- 3" hybrid flush valve
- Pilot operated fill valve
- 12" rough-in
- Color-match trip lever
- 2" glazed trapway
- The Mansfield® limited lifetime warranty
- Available in white and standard colors: biscuit, bone







Model 4137-3121
Toilet seat not included



*Also available as a complete toilet package.

Components

Model #	Description	Codes/Standards
4137-3121	SmartHeight™, elongated front two-piece toilet. Less toilet seat and supply. Specify color.	   
4137	SmartHeight™, elongated front toilet bowl only. Less toilet seat. Specify color.	
3121	Tank and cover only, with left hand, front-mount, color-match trip lever. Less supply. Specify color.	
3121RH	Same as model 3121, with right hand, color-match trip lever. Less supply. Specify color.	
3120	Same as 3121 with chrome trip lever.	
3120RH	Same as 3120 with right hand trip lever.	
3122	Same as model 3121, with tank liner.	
*4137CTK	SmartHeight™ elongated front, complete toilet kit. Includes toilet seat, tank and bowl, flange bolts, wax ring with polyethylene flange and instructions.	
*4137LTCTK	Same as 4137CTK, with tank liner.	



MADE IN USA

4137-3121

Alto®

SmartHeight™, Elongated Front, Vitreous China, Two-Piece Toilet

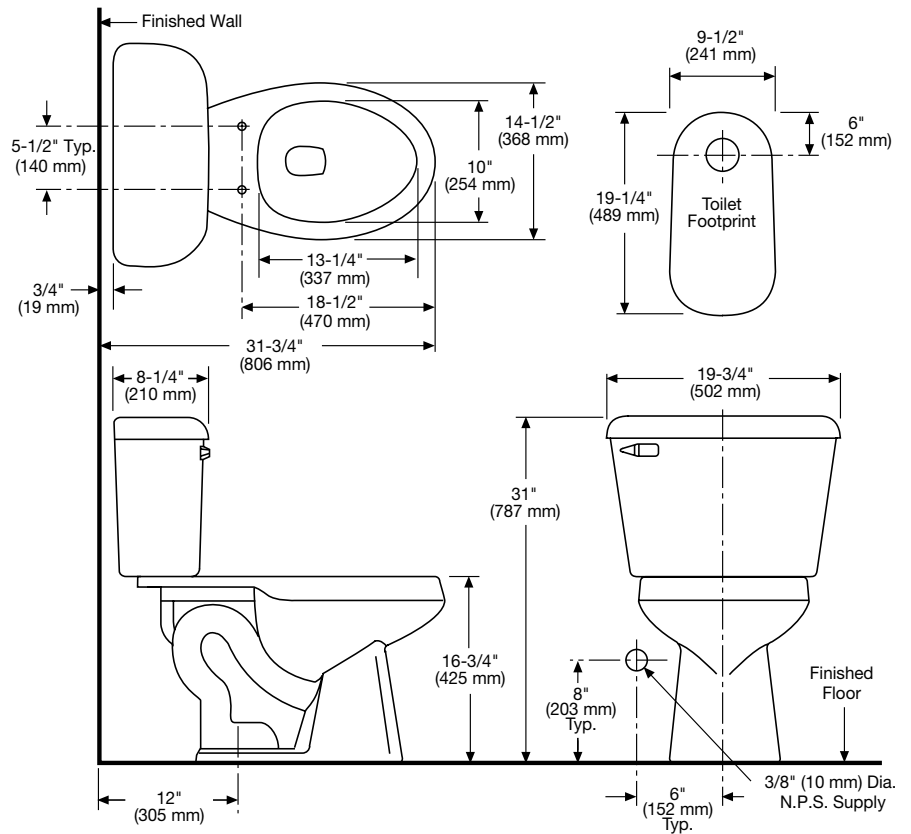


Specifications

Model #	Description	Codes/Standards
4137-3121	SmartHeight™, elongated front (1.28 gpf/4.86 lpf) two-piece toilet	

Specification	Description	Specification	Description
Material	Vitreous china	Trap Diameter	2"
Water Pressure Range	20 to 80 PSI	Trap Seal	2-5/8"
Flush System	3" hybrid flush valve	Rough-in	12"
Water Usage	1.28 gpf / 4.86 lpf	Shipping Weight	Model 4137 - 56 lbs. Model 3121 - 34 lbs., Models 4137CTK and 4137LTCTK - 92 lbs.
Water Surface Area	9" X 10"	Warranty	Vitreous China - Limited Lifetime Tank Trim - Limited One Year
MaP Rating	600 grams		

Technical Information



See our complete line of acrylic and vitreous china bathroom fixtures, plastic tank trim and plumbing products.

These dimensions are nominal and subject to change without notice.

Fixture performance and specifications meet or exceed ASME A112.19.2-2008/CSA B45.1-08 standards, and other state and local codes.

