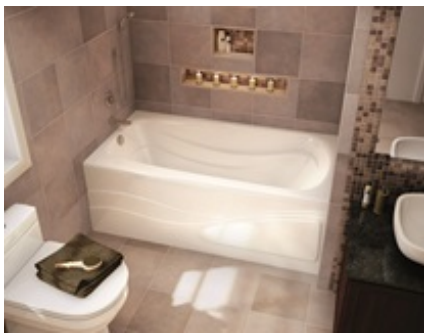


MAAX SUBMITTAL SPECIFICATIONS

Tenderness 7236

MODEL NUMBER 102204

DIMENSIONS: 72" x 36" x 20" Acrylic



STANDARD FEATURES

- Rectangular shape bathtub
- Alcove installation
- Armrest and textured floor
- End drain
- Integrated tiling flange
- Integrated skirt with access panel when equipped with system




OPTIONS

- Water heater assembly (factory installed)
- Two 6-in. grab bars
- Metal trim kit for whirlpool and combined systems
- Flexible main hose 9 ft for air push control
- Metal trim kit for Air Push Control
- One chromatherapy light

UNIQUE FEATURES

- None

SYSTEMS

-  MAAX Professional Whirlpool
-  Aeroeffect **DOOR**
-  Combined Whirlpool/Aeroeffect

SELECTION

Combine with MAAX's complete shower door offering visit www.maax.com

CERTIFICATIONS

Maax products adhere to one or more of the following certifications:



Project :

Contractor :

MAAX Representative : Tel :

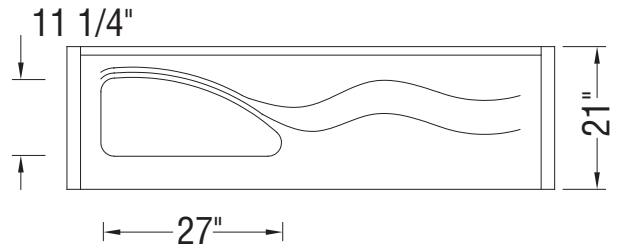
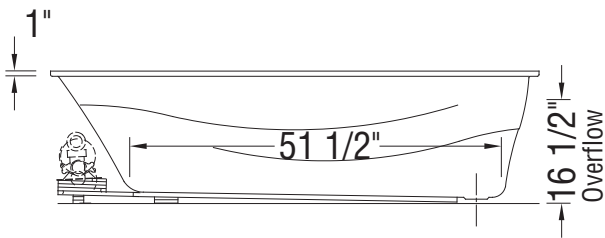
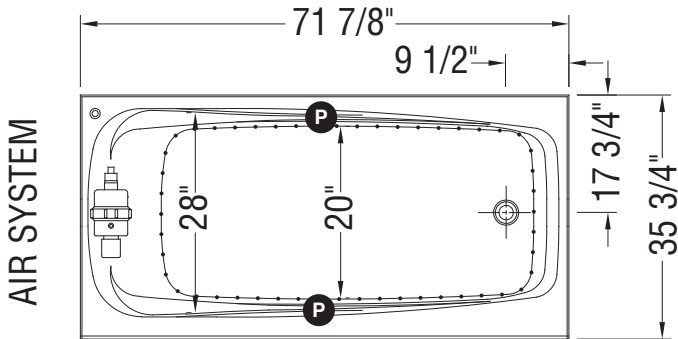
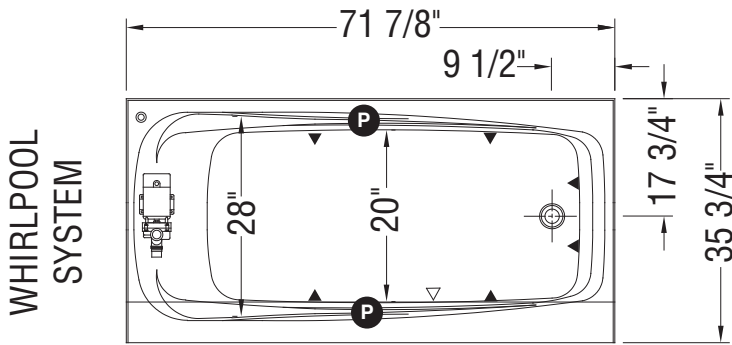
Date :

MAAX SUBMITTAL SPECIFICATIONS

Tenderness 7236

MODEL NUMBER 102204

TECHNICAL DRAWINGS



- (P) : Indicates optional grab bar positioning
- (▲) : Indicates Whirlpool jets positioning
- (●) : Indicates airjets positioning
- (△) : Indicates suction positioning

All dimensions are approximate. Structure measurements must be verified against the unit to ensure proper fit.