



Buy it for looks. Buy it for life.®

Specifications



Model Number	Faucet Holes	Depth-Inches	Drain Placement	FHA Compatible
G18165 <i>(pictured)</i>	N/A	9"	Rear (Center)	No
G18163	N/A	7"	Rear (Center)	Yes

SINK DESCRIPTION

- 1800 Series single bowl undermount sink
- 18 gauge stainless steel, brushed finish
- Mounting brackets included, no other hardware included
- SoundSHIELD™ sound absorbing system

WARRANTY

- Lifetime limited warranty to the original homeowner
- 10 year limited warranty when used in a Multi-family installation
- 5 year limited warranty when used in a Commercial installation
- Visit www.moen.com/customer-support/warranty for complete details and limitations

SINK DIMENSIONS

- Overall: 31-1/4" x 18"
- Bowl: 29-1/4" x 16"
- Drain Size: 3-5/8"

CUT OUT DIMENSIONS

- Cut out template included
- Template ordering number 22511

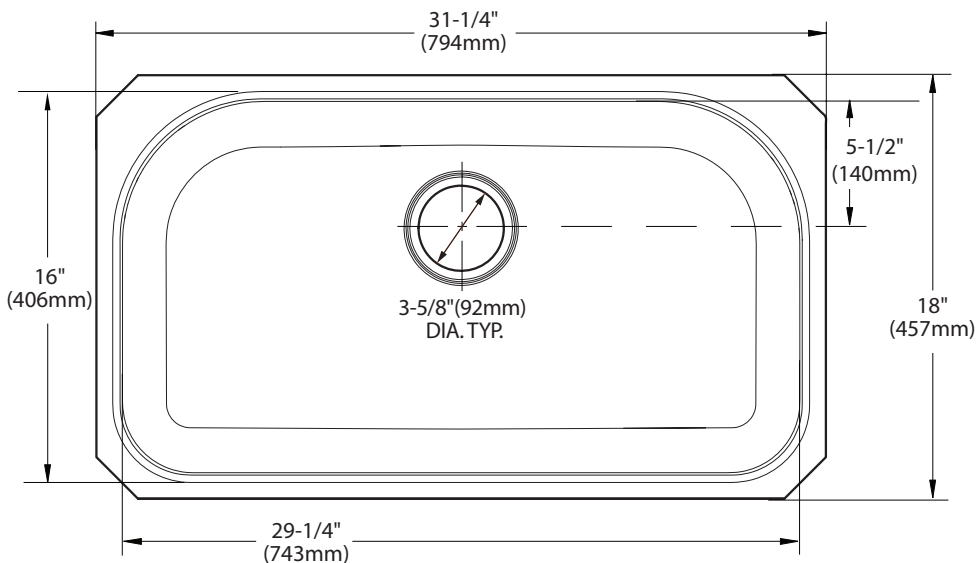
STANDARDS

- Third party certified to meet ASME A112.19.3/CSA B45.4 and all applicable specifications referenced therein

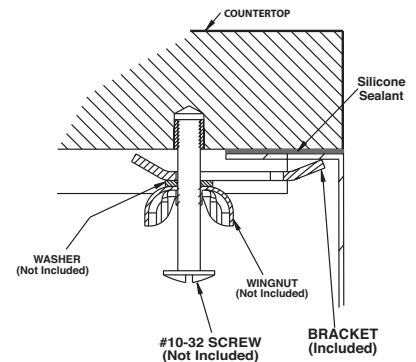
FHA Sink compliant to FHA accessibility specifications when installed to these required standards. Always consult with your local building department for the specific installation requirements

CRITICAL DIMENSIONS

(DO NOT SCALE)



Installation Detail



MADE IN THE USA