



Buy it for looks. Buy it for life.®


DESCRIPTION

- Metal construction with various finishes identified by suffix

OPERATION

- Rotational control with 180° of rotation with stops

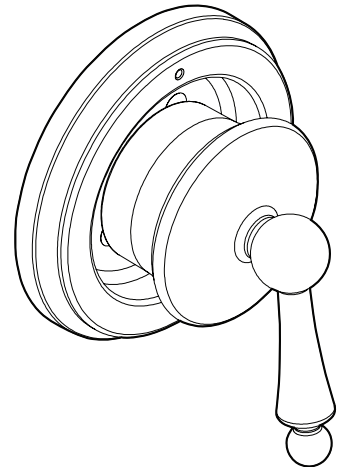
STANDARDS

- Third party certified to ASME A112.18.1/CSA B125.1 and all applicable requirements referenced therein
- **ADA**  for lever handle

WARRANTY

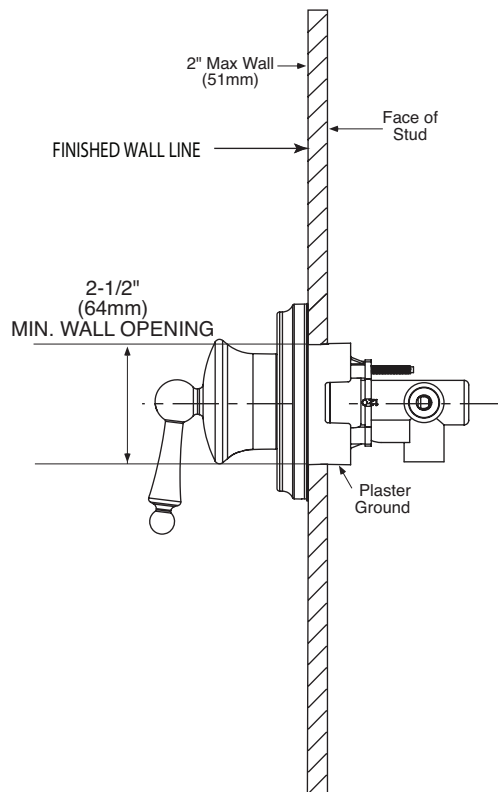
- Lifetime limited warranty against leaks, drips and finish defects to the original consumer purchaser
- 5 year warranty if used in commercial installations

Specifications

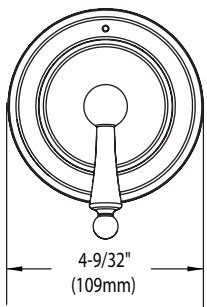
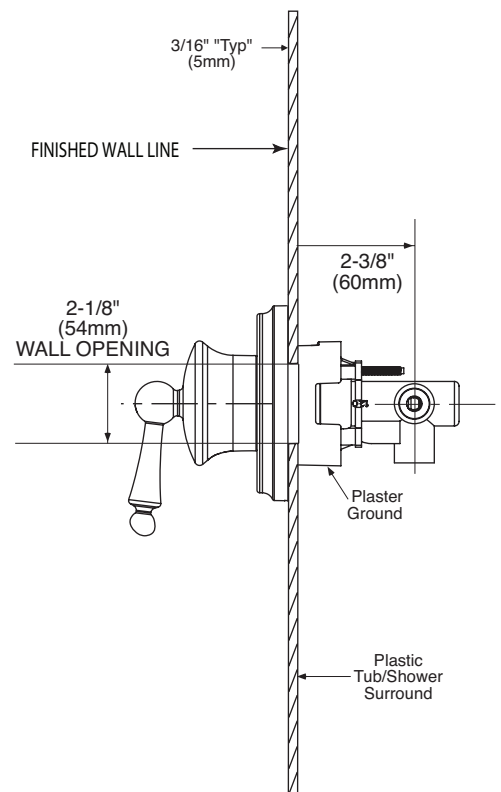


**Waterhill™ Multi-Function
Transfer Valve Trim Kit**
Models: TS325 series
Valve: 3372 or 3375

Thick Wall Installation



Thin Wall Installation



CRITICAL DIMENSIONS

(DO NOT SCALE)