



Buy it for looks. Buy it for life.®


**DESCRIPTION**

- Metal construction with various finishes identified by suffix

**OPERATION**

- Rotational control with 180° of rotation with stops

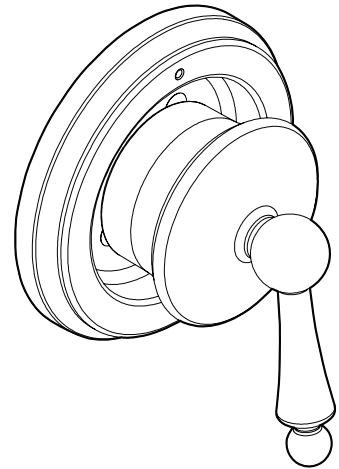
**STANDARDS**

- Third party certified to ASME A112.18.1/CSA B125.1 and all applicable requirements referenced therein
- **ADA**  for lever handle

**WARRANTY**

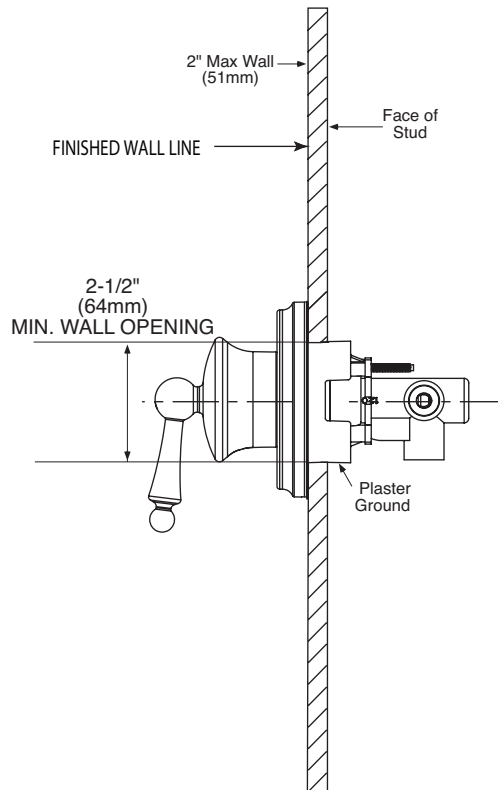
- Lifetime limited warranty against leaks, drips and finish defects to the original consumer purchaser
- 5 year warranty if used in commercial installations

# Specifications

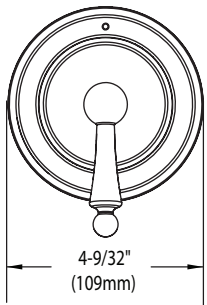
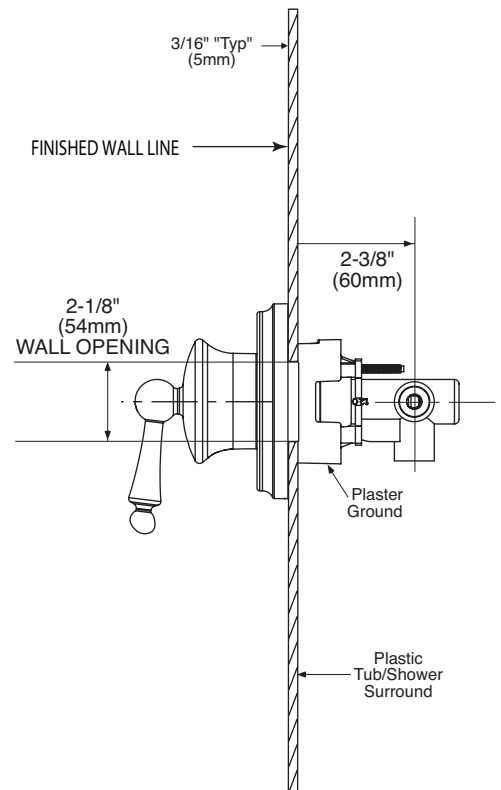


**Waterhill™ Multi-Function  
Transfer Valve Trim Kit**  
**Models:** TS325 series  
**Valve:** 3372 or 3375

### Thick Wall Installation



### Thin Wall Installation



### CRITICAL DIMENSIONS

(DO NOT SCALE)