



Buy it for looks. Buy it for life.®

# Specifications

## DESCRIPTION

- Metal construction with various finishes identified by suffix
- Designed to be installed through 1, 5" diameter hole
- Single function handheld shower
- 59" double interlock spiral hose (metal)
- Includes integral dual check valves for backflow protection


## OPERATION

- Pivot action lever style handle
- Pull diverter to switch between faucet and handshower

## FLOW

- Faucet designed to deliver 6.0 gpm (22.7 L/min) at 45psi
- Handshowers of EP suffix models are limited to 2.0 gpm (7.6 L/min) max for products manufactured prior to June 30, 2018. EP suffix models manufactured after June 30, 2018 are limited to 1.75 gpm (6.7 L/min) max.

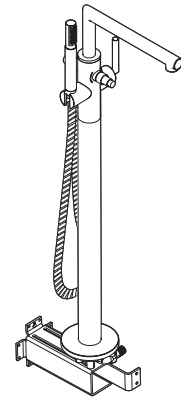
## STANDARDS

- Third party certified to ASME A112.18.1/CSA B125.1, and all applicable requirements referenced therein
- **ADA**  for lever handles

## WARRANTY

- Lifetime limited warranty against leaks, drips and finish defects to the original homeowner
- 10 year limited warranty when used in a multifamily installation
- 5 year limited warranty when used in a commercial installation

Visit [www.moen.com/support](http://www.moen.com/support) for complete details and limitations

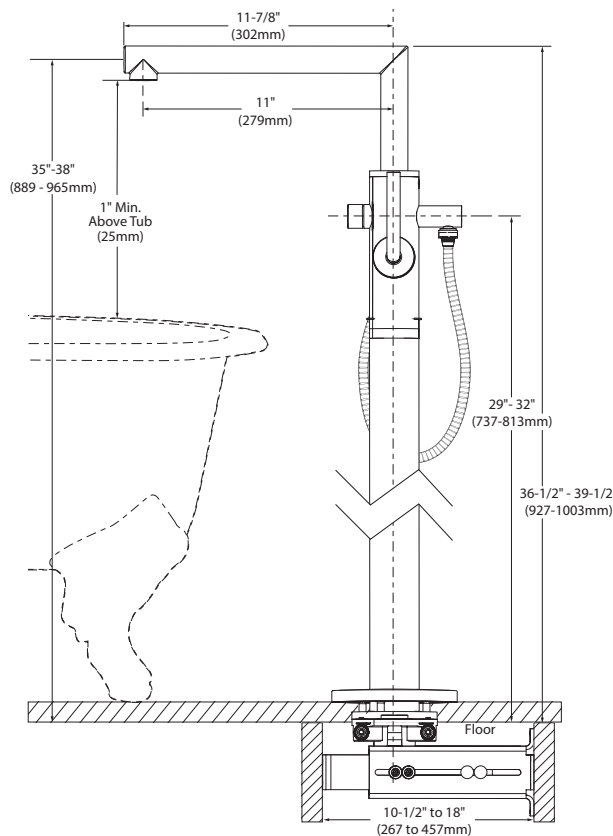


**ARRIS™**  
**Single Handle Single Riser Floor  
 Mounted Tub Filler Faucet**

**Model:** S93005 series  
**Floor Mount Rough-In Kit:** TS50100



## Handshower 3887EP



## CRITICAL DIMENSIONS

(DO NOT SCALE)