

## INSTALLATION INSTRUCTIONS FOR SENSOR ACTIVATED ELECTRONIC SOAP DISPENSER



### Model ESD-200

Deck Mounted  
Plug-in Transformer Powered  
Sensor Activated  
Electronic Soap Dispenser

### Model ESD-250

Deck Mounted  
Battery Powered  
Sensor Activated  
Electronic Soap Dispenser



### Model ESD-300

Deck Mounted  
Plug-in Transformer Powered  
Sensor Activated  
Electronic Soap Dispenser  
with Chrome Throat Plate

### Model ESD-350

Deck Mounted  
Battery Powered  
Sensor Activated  
Electronic Soap Dispenser  
with Chrome Throat Plate

### For Soap Replenishment use:

#### Sloan Part # Description

- ESD-217 — 800 ml. bottle of Lotion Soap
- ESD-232 — 1600 ml. bottle of Lotion Soap
- ESD-231 — 800 ml. bottle of Anti-bacterial Soap
- ESD-233 — 1600 ml. bottle of Anti-bacterial Soap

Can also be used with TC® OneShot® Soap Cartridges (refer to Page 6 for TC Stock Numbers)

### To order Replacement Soap Cartridges:

1-866-700-CLEAN (1-866-700-2532)

Or go to our website: [www.optimasoap.com](http://www.optimasoap.com)

Refills are also available through your local plumbing or janitorial supply distributor.

### PRIOR TO INSTALLATION

#### New Soap Dispenser Installation:

- Locate position of soap dispenser using rough-in diagrams and template on Pages 2 and 3
- Ensure that soap dispenser does not interfere with anything above or below the lavatory/counter top area (refer to Pages 2 and 3)
- Drill a 1" diameter hole in counter top (use template on Page 3)
- Clean area around hole

#### Replacing Existing Soap Dispenser:

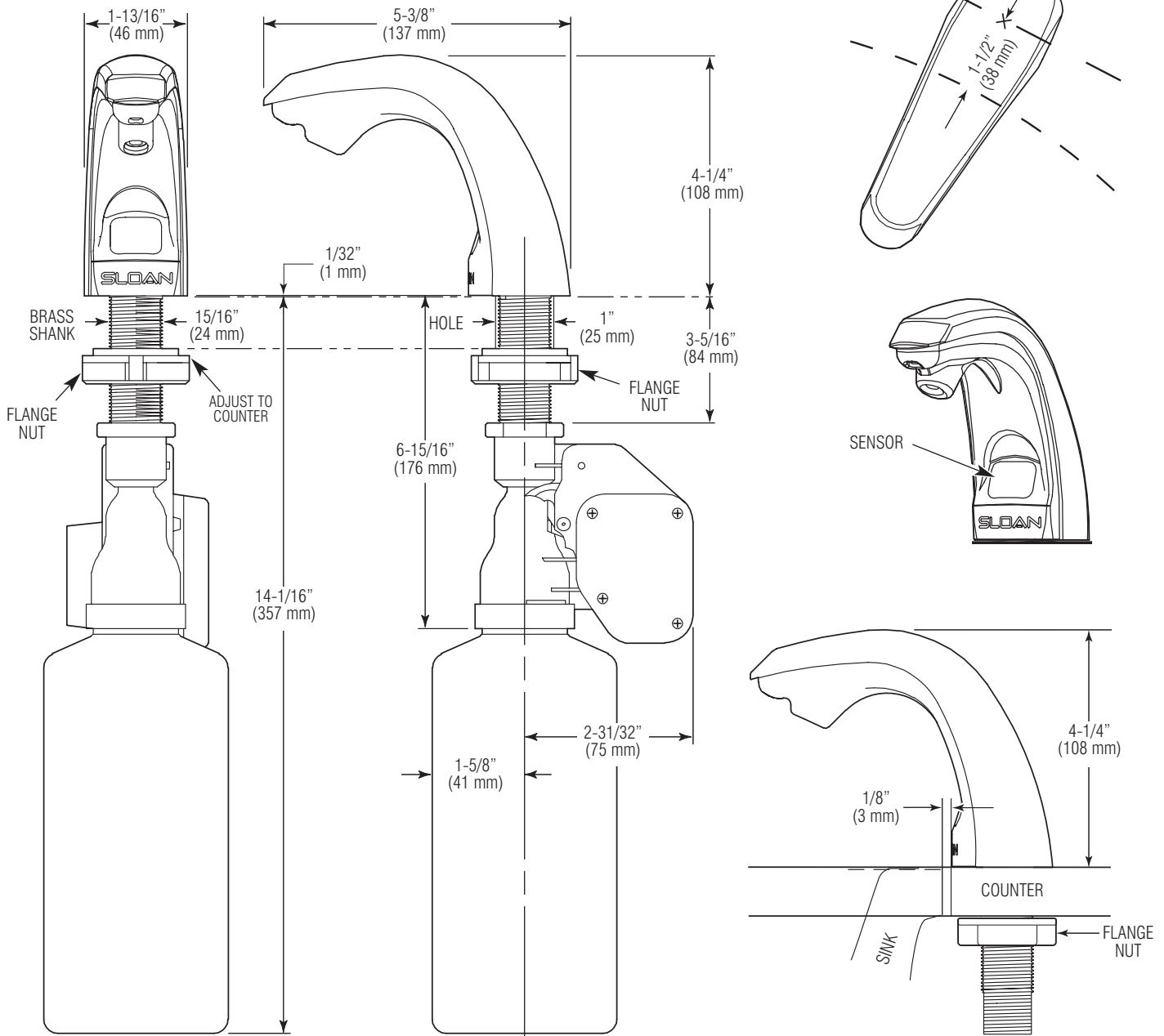
- Remove old components
- Clean Area around hole
- Ensure that hole is 15/16" to 1-1/4" diameter

### LIMITED WARRANTY

Sloan Valve Company warrants its ESD-200, ESD-250, ESD-300 and ESD-350 Electronic Soap Dispensers to be made of first class materials, free from defects of material or workmanship under normal use and to perform the service for which they are intended in a thoroughly reliable and efficient manner when properly installed and serviced, for a period of three years (1 year for special finishes) from date of purchase. During this period, Sloan Valve Company will, at its option, repair or replace any part or parts which prove to be thus defective if returned to Sloan Valve Company, at customer's cost, and this shall be the sole remedy available under this warranty. No claims will be allowed for labor, transportation or other incidental costs. This warranty extends only to persons or organizations who purchase Sloan Valve Company's products directly from Sloan Valve Company for purpose of resale. This warranty does not cover the life of the batteries (Models ESD-250 and ESD-350).

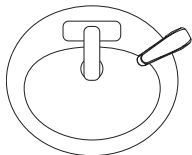
**THERE ARE NO WARRANTIES WHICH EXTEND BEYOND THE DESCRIPTION ON THE FACE HEREOF. IN NO EVENT IS SLOAN VALVE COMPANY RESPONSIBLE FOR ANY CONSEQUENTIAL DAMAGES OF ANY MEASURE WHATSOEVER.**

# SOAP DISPENSER ROUGH-IN



## INSTALLATION

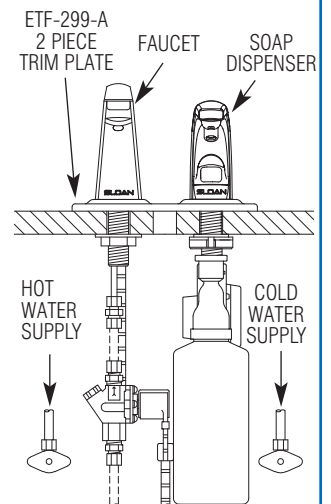
The ESD-200/250/300/350 Soap Dispenser oftentimes can be mounted in the left or right hole of a 4" or 8" center-set sink. The ability to do this is contingent upon the width of the faucet spout and accessibility to the unit on the underside of the sink (the Motor and Soap Bottle cannot interfere with the water or drain lines). When such interference above or below the sink occurs, the Soap Dispenser must be installed through the countertop to the side of the sink as shown.



## Model ESD-20080/25085/30880/35187 Soap Dispenser and Faucet Combinations

When the ESD Soap Dispenser is packaged with a Sloan ETF-80, ETF-880, EBF-85 or EBF-187 Faucet for installation on a 4" centerset sink, a special Trim Plate (ETF-299-A) is supplied. For these models, the Faucet must install on the left side and the Soap Dispenser on the right.

When installing the ESD-20080/25085/30880/35187, use these instructions in conjunction with the Installation Instructions packaged with the faucet.

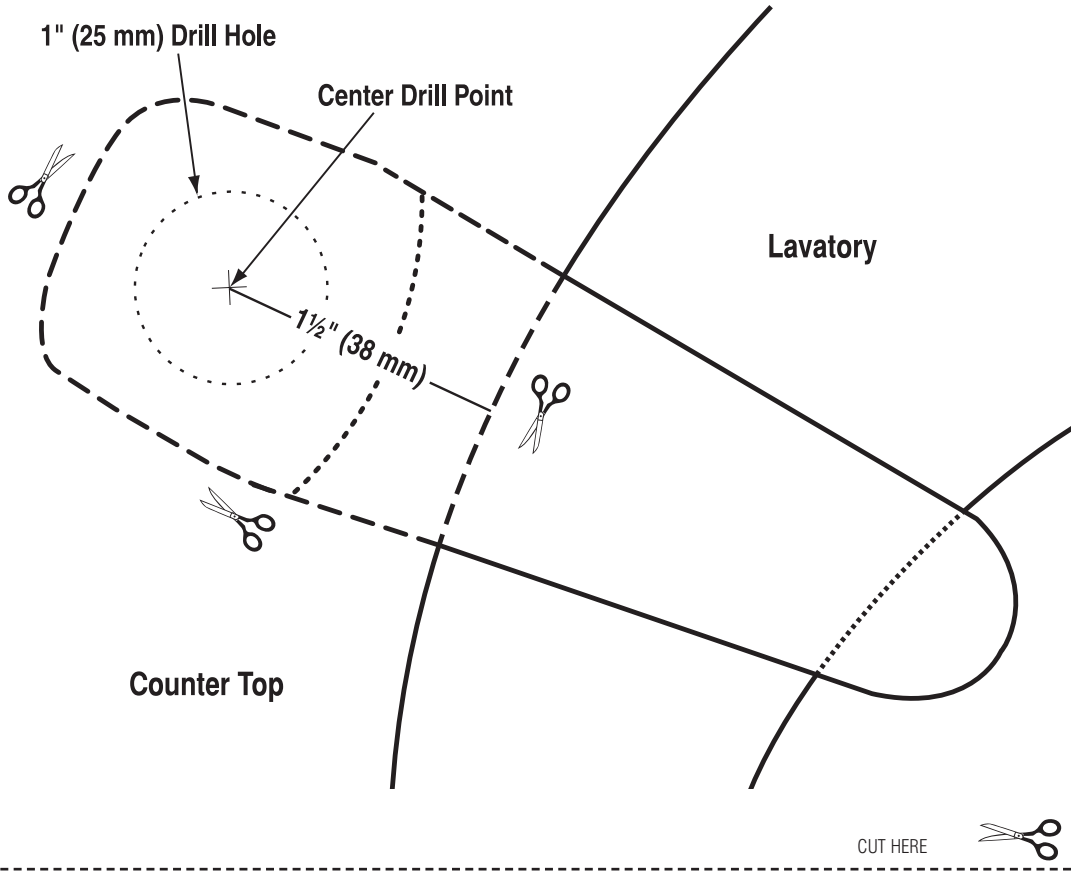


# ESD-200, ESD-250, ESD-300 & ESD-350 Soap Dispenser Location Template

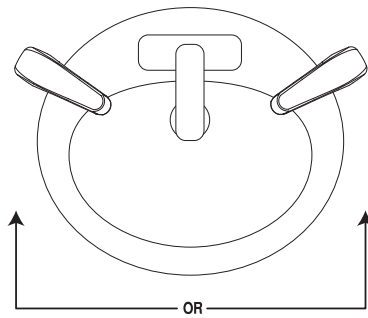
**IMPORTANT: READ THIS BEFORE USING TEMPLATE.**

If this Installation Instructions was printed from a PDF file to a computer printer, make certain that the template is the correct size before using. Measure to make certain that the 1-1/2" (38 mm) dimension shown on this template is correct. If the dimension measures less than 1-1/2" (38 mm), do one of the following:

- Reprint this template page making certain that all references to "Shrinking oversized pages to paper size" or "Fit to page" are unchecked in the Print window. Also, click the Printer Properties button (if available), and do the same. This template should then print to the proper size.
- Use this template as an example only for Soap Dispenser positioning.

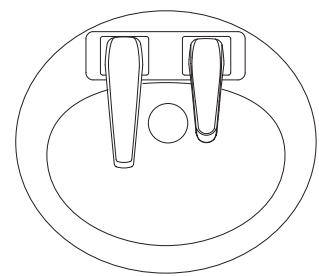


**Soap Dispenser Mounted on Side of Sink**

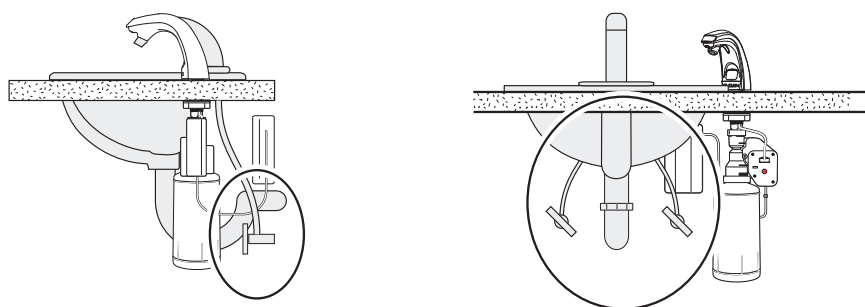


**ESD-20080/25085/30880/35187 Soap Dispenser/Faucet Combination Shown on a 4" Centerset Sink**

*or*



**Ensure Soap System does not interfere with sink and plumbing under the counter**



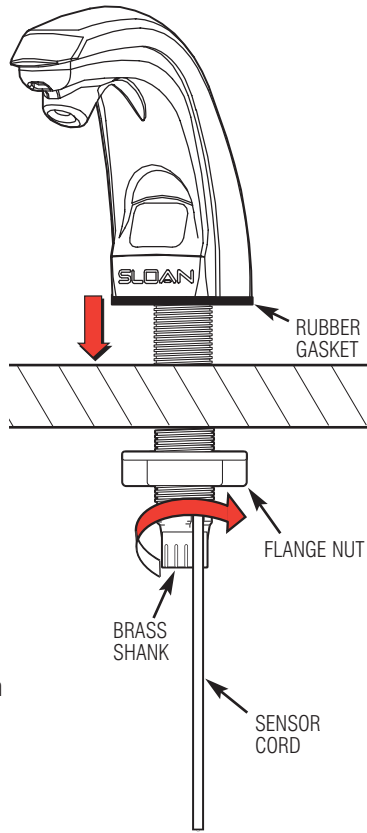
# 1 Install Spout

**A** Slide Rubber Gasket onto Brass Shank making certain that hole in Gasket is positioned over Spring Pin in Base of Spout (where applicable).

**B** Guide Brass Shank and Sensor Cord through hole in counter.

**C** Position Spout to direct soap into sink.

**D** Guide Sensor Cord through Flange Nut. Screw Flange Nut onto Brass Shank and tighten.

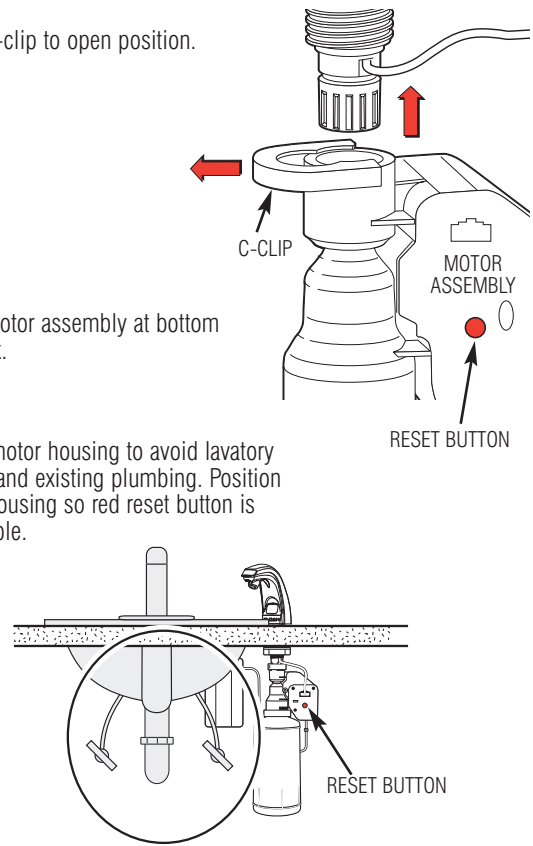


# 2A Attach Motor Assembly

**A** Slide C-clip to open position.

**B** Place motor assembly at bottom of shank.

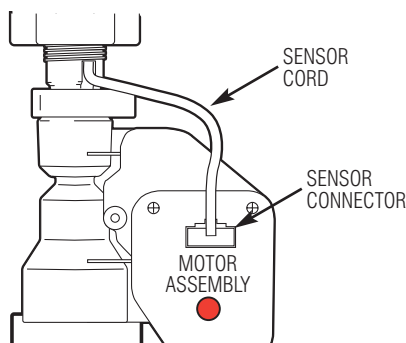
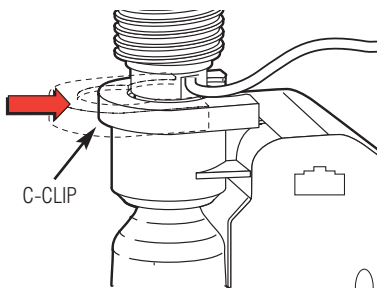
**C** Rotate motor housing to avoid lavatory bottom and existing plumbing. Position motor housing so red reset button is accessible.



# 2B Attach Motor Assembly (cont.)

**D** Push the motor assembly up into place and secure by pushing the C-clip closed.

**E** Plug sensor connector into motor assembly and slide rubber seal into place.



# 3 Attach Battery Pack (Models ESD-250 & ESD-350 Only)

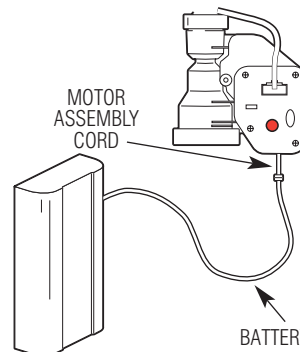
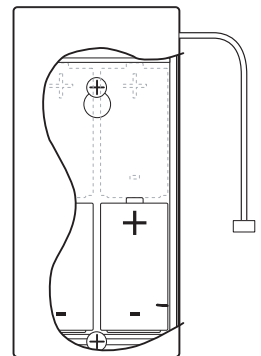
**A** Place battery pack in a convenient location ensuring easy access.

**B** Secure to wall with screws and anchors.

**Note:** The battery pack may be mounted using one screw and anchor with the top slot facilitating easy removal for battery replacement. A foam gasket is applied to the back to seal screw holes.

**C** Install 4 alkaline D-size batteries.

BATTERY PACK



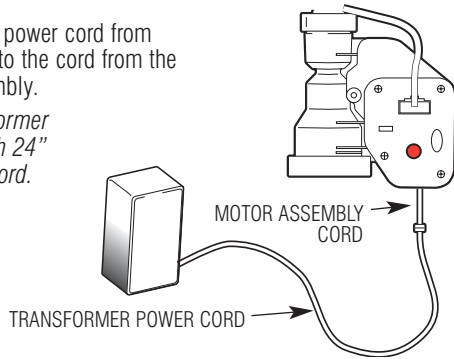
**D** Connect the power cord from the battery pack to the cord from the motor assembly, activating the soap dispenser.

**E** Wall clip set may be used to hold the power cord against the wall.

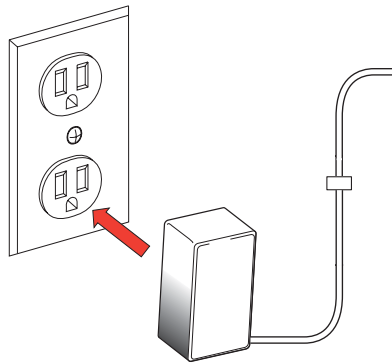
## 4 Connect AC Power (Models ESD-200 & ESD-300 Only)

- A** Connect the power cord from transformer to the cord from the motor assembly.

**Note:** Transformer supplied with 24" (610 mm) cord.



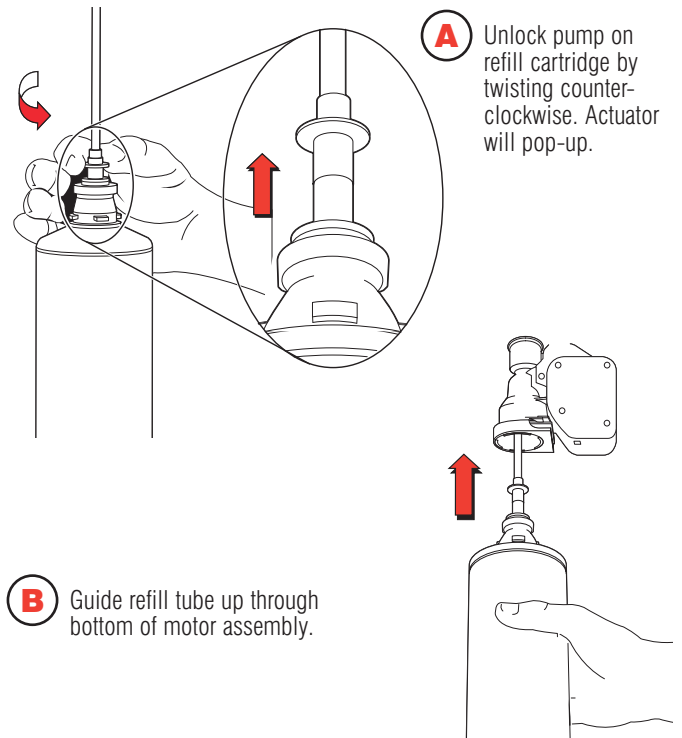
- B** Plug transformer into 120 VAC wall receptacle, activating the soap dispenser.



- C** Wall clip set may be used to hold the power cord against the wall.

## 5A Install Soap Cartridge

**Important:** DO NOT handle soap refill cartridge by tube. For proper operation, ensure that tubing is not loose or bent.

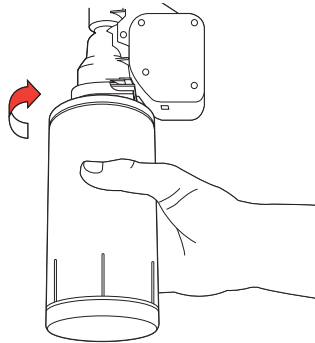


- A** Unlock pump on refill cartridge by twisting counter-clockwise. Actuator will pop-up.

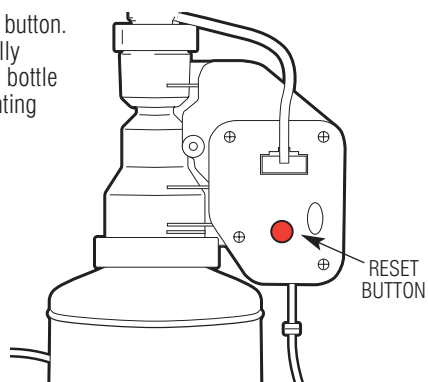
- B** Guide refill tube up through bottom of motor assembly.

## 5B Install Soap Cartridge (cont.)

- C** Lock soap refill into place by turning clockwise 1/4 turn.



- D** Press the refill reset button. This will automatically prime the soap refill bottle and initiate the counting mechanism.

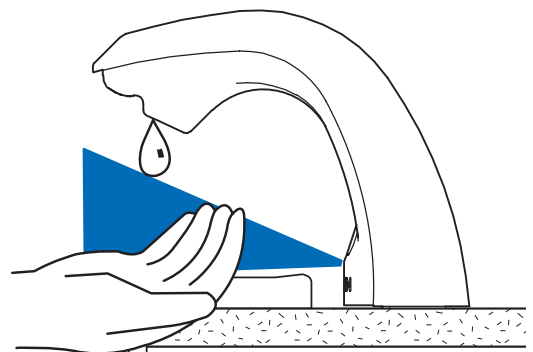


800 ml. refill cartridge dispenses up to 1000 hand washes (supplied).  
1600 ml. refill cartridge dispenses up to 2000 hand washes.

When using a 1600 ml. refill cartridge, the dipswitch (located on the Motor behind the black grommet just above the Reset Button) must be in the Down Position.

## Operation

As the user's hands enter the beam's effective range, the beam is reflected back into the sensor receiver and activates the solenoid valve allowing a single soap application to flow from the spout.

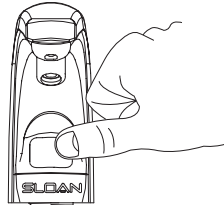


- Flashing RED light in the sensor window indicates low refill.
- Flashing YELLOW light in the sensor window indicates low battery (Models ESD-250 & ESD-350 only).

## CARE AND CLEANING OF THE SOAP DISPENSER

Deactivate the soap dispenser by placing your fingers or thumb over the sensor area while you clean. The sensors are located in the upper right and upper left corners of the activation zone.

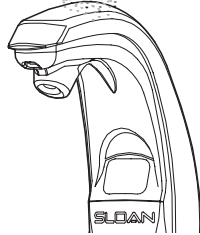
Once dispenser is cleaned, remove fingers or thumb from the sensor area.



## CARE AND CLEANING OF CHROME AND SPECIAL FINISHES

**DO NOT** use abrasive or chemical cleaners (including chlorine bleach) to clean Spout that may dull the luster and attack the chrome or special decorative finishes. Use ONLY mild soap and water, then wipe dry with clean cloth or towel.

While cleaning the bathroom tile, protect the Spout from any splattering of cleaner. Acids and cleaning fluids will discolor or remove chrome plating.



## SOAP REPLACEMENT

When the Soap Bottle is empty, a new Bottle must be used. The Bottle furnished with the unit is not designed to be refilled. Altering the Bottle and refilling it with soap will void the warranty of the product.

### To Order Replacement Soap Cartridges:

1-866-700-CLEAN (1-866-700-2532)

Or go to our website: [www.optimasoap.com](http://www.optimasoap.com)

Refills are also available through your local plumbing or janitorial supply distributor.

### Soap Refill Cartridges Available:

- ESD-217 — 800 ml. bottle of Lotion Soap
- ESD-232 — 1600 ml. bottle of Lotion Soap
- ESD-231 — 800 ml. bottle of Anti-bacterial Soap
- ESD-233 — 1600 ml. bottle of Anti-bacterial Soap

Can also be replaced with TC® OneShot® Soap Bottles listed below.

Description	Sloan® Part No.	TC® OneShot® Stock No.
800 ml. bottle of Lotion Soap	ESD-217	401311
1600 ml. bottle of Lotion Soap	ESD-232	401541
800 ml. bottle of Anti-bacterial Soap	ESD-231	401312
1600 ml. bottle of Anti-bacterial Soap	ESD-233	401542

### Sloan Lotion Hand Soap

Rich, luxurious hand soap with special moisturizing ingredients (Glycerin, Aloe Vera and Vitamin E) to help soothe and soften skin. Produces a thick, creamy lather and has a fresh floral scent.

Color: Pearlized Teal

### Sloan Antibacterial Soap

Clear, mild soap that is effective against potentially harmful bacteria. Contains Triclosan. Produces full body lather. Enriched with Glycerin and Aloe Vera to moisturize skin. For use anywhere, including food service and health care facilities. Fresh, light citrus scent.

Color: Clear

## Warnings

For external use only. See precautions listed below.

## Directions

Wet skin and place a small amount of cleanser on hands. Scrub well, rinse and dry thoroughly.

## Ingredients

### Sloan Lotion Hand Soap

DI Water; Sodium Lauryl Sulfate; Lauryl Polyglucose; Cocamidopropyl Betaine; PEG-7 Glyceryl Cocoate; Glycerin; Cocamide DEA; Sodium Laureth Sulfate; Glycol Distearate; Cocamide MEA; Laureth-10; Aloe Barbadensis Leaf Extract; Fragrance; Glycolic Acid; Tocopherol Acetate; Tetrasodium EDTA; Methylchloroisothiazolinone; Methylisothiazolinone; FD&C Blue 1.

### Sloan Anti-bacterial Hand Soap

Sulfuric acid, mono-C10-C16 alkyl esters, sodium salts, Cocamido propyl betaine, C10-C16 Alkyl polyglycoside, Amides, coco, N,N-bis (hydroxyethyl)

## Other Information

Avoid excessive heat; protect from freezing.

**ATTENTION: Do not handle by tube. For proper operation, ensure that tubing is not loose or bent.**

## PRODUCT PRECAUTIONS

<ul style="list-style-type: none"> <li>• Eye irritant.</li> <li>• Avoid contact with eyes.</li> <li>• Keep out of reach of children.</li> <li>• If in contact with eyes, flush with water for at least 15 minutes. Obtain medical attention if irritation persists.</li> <li>• If ingested, do not induce vomiting. Obtain medical attention immediately.</li> </ul>	<ul style="list-style-type: none"> <li>• Irritant pour les yeux.</li> <li>• Éviter le contact avec les yeux.</li> <li>• Garder hors de la portée des enfants.</li> <li>• En cas de contact avec les yeux, rincer à grande eau pendant 15 minutes. Obtenir de l'attention médicale si l'irritation persiste.</li> <li>• En cas d'ingestion, ne pas tenter de faire vomir. Obtenir de l'attention médicale immédiatement.</li> </ul>	<ul style="list-style-type: none"> <li>• Irritante para los ojos.</li> <li>• Evitar el contacto con los ojos.</li> <li>• Mantener lejos del alcance de los niños.</li> <li>• En caso de contacto con los ojos, enjuagar con mucha agua durante 15 minutos. Si la irritación persiste, obtener atención médica.</li> <li>• En caso de ingestión, no provocar el vómito. Obtener inmediatamente atención médica.</li> </ul>
--	--	---

READ MATERIAL  
SAFETY DATA SHEET  
BEFORE USING  
PRODUCT

LIRE LA FICHE  
SIGNALÉTIQUE AVANT  
D'UTILISER CE  
PRODUIT

LEER LA FICHA  
DESCRIPTIVA ANTES  
DE USAR EL  
PRODUCTO

## TROUBLESHOOTING GUIDE

### I. Red LED light is flashing.

- Refill bottle is low. Check the fill level and change as needed.
- Reset button was not pressed after the refill was installed. Press and release reset button.
- If reset button is held down more than one second, the red light will stay on. To turn the red light off, press the reset button quickly and the red light will go off.

### 2. Yellow LED light is flashing (Models ESD-250 & ESD-350 only).

- Batteries are low. Replace with four (4) new D-size alkaline batteries.

### 3. Preventing soap from dispensing while cleaning.

- Place your finger over the upper right hand or left hand corner of the sensor lens.

### 4. The dispenser does not activate properly when hand is placed under spout.

- In rest rooms with fluorescent lighting, lighting that may be dying out or not burning at full intensity will cause interference with soap dispenser. Replace fluorescent tube(s) and soap dispenser will then function normally. Cool, white tubes are recommended.

### 5. Dispenser rotates due to users moving the spout.

- Tighten the existing flange nut on the shaft of the spout under the counter.
- If this problem continues, you can order a second "flange nut" (ESD-620) from Sloan Valve.

### 6. Soap does not dispense.

- Check that your power source is plugged in correctly.
- Make sure that batteries have been installed properly (Models ESD-250 & ESD-350 only).
- Make sure the pump is open on the refill bottle (see Step 5A).

### 7. Soap does not dispense when user "waves" their hands under the spout.

- Hands must be held "steady" under the spout for the dispenser to work.

### 8. Tube pulls out of the refill bottle.

- The tubes have been "stitched" to prevent their removal, however please ensure that your housekeeping staff does not pick the bottle up or carry it by the tube.

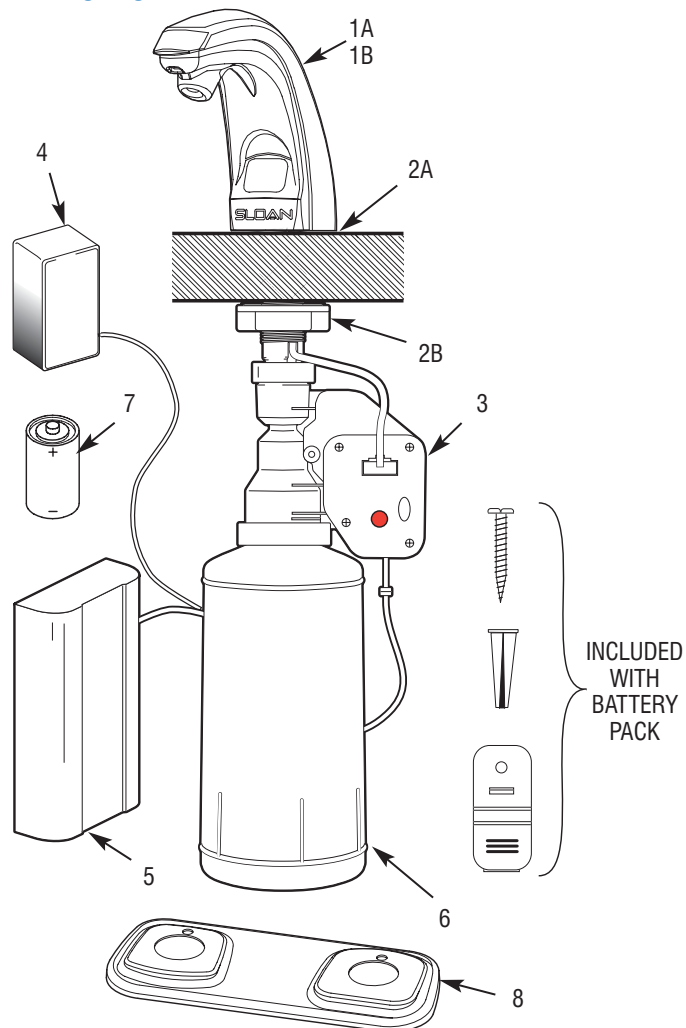
When assistance is required, please contact Sloan Valve Company Installation Engineering Department at:

**1-888-SLOAN-14: (1-888-756-2614)**

**OR**

**1-847-233-2016**

## PARTS LIST



Item No.	Part No.	Description
1A	ESD-216-A	Spout Assembly (Models ESD-200 & ESD-250)
1B	ESD-235-A	Spout Assembly (Models ESD-300 & ESD-350)
2	ESD-218	Mounting Hardware Kit (Includes parts 2A and 2B)
2A	ESD-222	Rubber Gasket
2B	ESD-620	Flange Nut
3	ESD-209-A	Motor Assembly
4	ESD-227	Plug-in Transformer (Models ESD-200 & ESD-300)
5	ESD-210	Battery Pack — uses 4 D-size batteries (included) Screws and Anchors for Battery Compartment Wall Clips for Power Cord
6	ESD-217	Lotion Soap Refill Cartridge 800 ml (up to 1000 hand washes)
	ESD-232	Lotion Soap Refill Cartridge 1600 ml (up to 2000 hand washes)
	ESD-231	Anti-bacterial Soap Refill Cartridge 800 ml (up to 1000 hand washes)
	ESD-233	Anti-bacterial Refill Cartridge 1600 ml (up to 2000 hand washes)
7	ESD-223	D-size Alkaline Batteries (4 required) (Models ESD-250 & ESD-350)
8	ETF-299-A	Trim Plate for ESD-20080, ESD-25085, ESD-30880 & ESD-35187 Combination Soap Dispenser and Faucet

**SLOAN**

SLOAN VALVE COMPANY • 10500 Seymour Avenue • Franklin Park, IL 60131  
Phone: 1-800-9-VALVE-9 or 1-847-671-4300 • Fax: 1-800-447-8329 or 1-847-671-4380  
www.sloanvalve.com