



290

Alto™ IV



Large, Vitreous China
Pedestal Lavatory



Features

- Luxurious, Deep Basin 24-7/8" x 18-7/8" Overall Dimensions for Extra Water Volume
- Faucet Ledge Provides Ample Space for Cosmetics and Accessories
- Available with Single Hole, 4" or 8" Faucet Centers
- Comfortable 34-1/4" Height
- Concealed Front Overflow
- Available in White, Standard, Premium and Designer Colors (Consult Price Book for Specific Colors)
- Outstanding Protection - The Mansfield® Limited Lifetime Warranty

Model 290-8
Shown in White
(Faucet and drain assembly
not included)

Model Numbers

Order No.	Description	Approx. Wt.
290	Large 24-7/8" x 18-7/8" Oval lavatory with pedestal. Available with single hole, 4" and 8" faucet centers. Complete with hanger and installation instructions. Less faucet and drain assembly. Specify color.	52 lbs. (23 kg)
292-1	Large 24-7/8" x 18-7/8" Lavatory, single hole faucet center. Specify color.	39 lbs. (18 kg)
292-4	Same as above with 4" faucet centers. Specify color.	39 lbs. (18 kg)
292-8	Same as above with 8" faucet centers. Specify color.	39 lbs. (18 kg)
293	Pedestal only. Specify color.	13 lbs. (6 kg)



Large Vitreous China Pedestal Lavatory

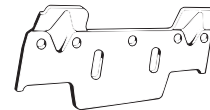
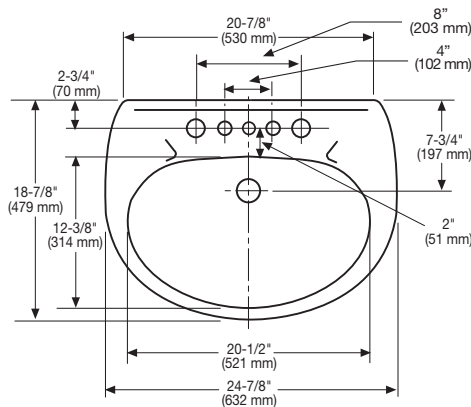
Technical Information

Specifications

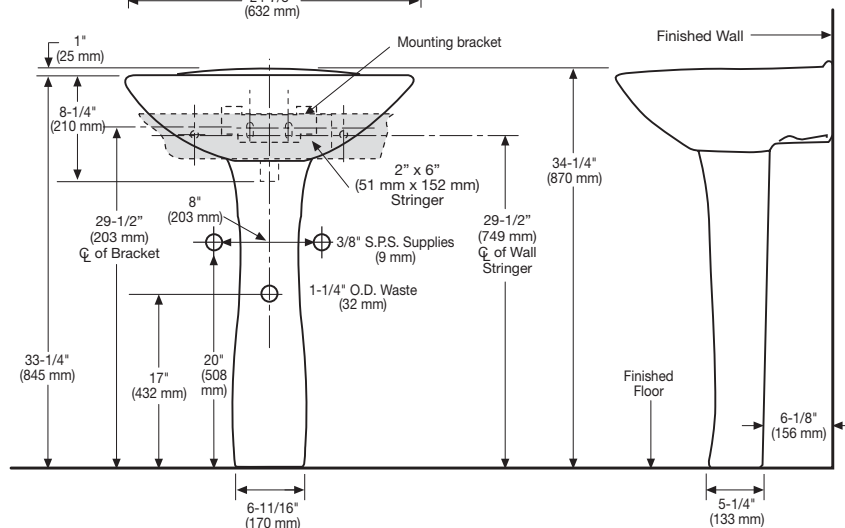
Material	Vitreous China
Size	25" x 19" (635 mm x 483 mm)
Basin	20-1/2" x 15-3/8" (521 mm x 391 mm)
Faucet Holes	Single Hole - 1-7/16" 4" Faucet Holes - 1-3/16" (All Holes) 8" Faucet Holes - 1-7/16" (All Holes)
Shipping Dimensions	Model 292 25-1/4" x 9-1/2" x 19-3/4" (641 mm x 241 mm x 502 mm) Model 293 32" x 7-3/8" x 7-3/8" (813 mm x 187 mm x 187 mm)
Shipping Weight	Model 292 - 40 lbs. (18 kg) Model 293 - 15 lbs. (7 kg)
Warranty	Limited Lifetime

These dimensions are nominal and are subject to change without prior notice.

Fixture performance and specifications meet or exceed. ANSI/ASME A112.19.2M and CSA B45 standards, and other state and local codes.



This Mansfield® pedestal lavatory is supplied with this exclusive one-piece steel hanger. Easily installed and adjusted, it contains 7 holes for solid mounting against wall. Anchoring screws must be used for correct installation. Standard plumbing practice recommends use of both mounting bracket and anchoring screws. NOTE: For secure installation, wall mounting hanger should be fastened to solid, support wall stud.



NOTE: Rough-in measurements may vary 1/4" (6.4 mm ±).

NOTE: For installation of waste outlet through-the-floor, an S-trap is required.

See our complete line of acrylic, vitreous china, cast iron and enameled steel bathroom and kitchen fixtures, plastic tank trim and plumbing products.



Mansfield Plumbing Products LLC • Sales Services Toll Free 877-850-3060 • Fax 419-938-6234
Website: www.mansfieldplumbing.com • Email: custserv@mansfieldplumbing.com