



Big-Flo Faucets
BF-0400

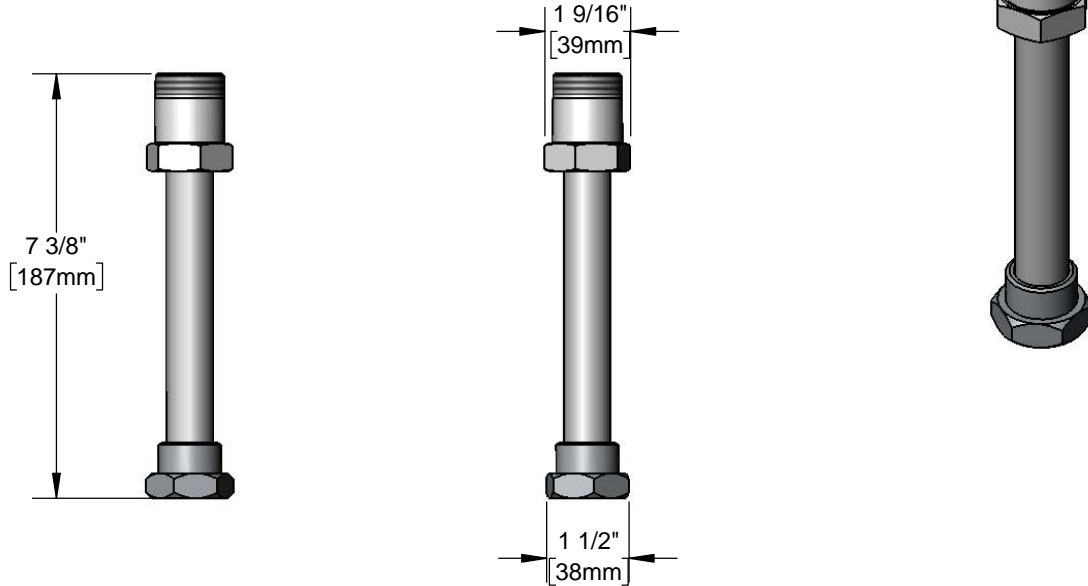
TAG:

Big-Flo Swivel Extension

Architect/Engineering Specifications:

Big-Flo stright swivel extension, polished chrome plated brass body with 1 1/4-18 UN female inlet, 1/2" NPT nipple and 1 1/4-18 UN male swivel outlet. Certified to ASME A112.18.1/CSA B125.1, NSF 61-Section 9 and NSF 372.

Job Name _____
 Model Specified _____ Quantity _____
 Variations Specified _____
 Date _____



Features & Benefits:

- Polished chrome plated brass 7 3/8" straight swivel extension
- 1/2" NPT x 6" Riser
- Fits all T&S Big-Flo swivel outlets and nozzles
- Material: Polished chrome plated brass body

Product Compliance:

- ASME A112.18.1 / CSA B125.1
- NSF 61 - Section 9
- NSF 372 (Low Lead Content)

Warranty: One Year (Limited)

Performance Data:

- N/A



T&S BRASS AND BRONZE WORKS, INC.



• 2 Saddleback Cove • Travelers Rest, SC 29690
 Ph 800-476-4103 • Fax 864-834-3518
 • Simi Valley, CA • Ph 800-423-0150 • www.tsbrass.com

Date: 05/05/17