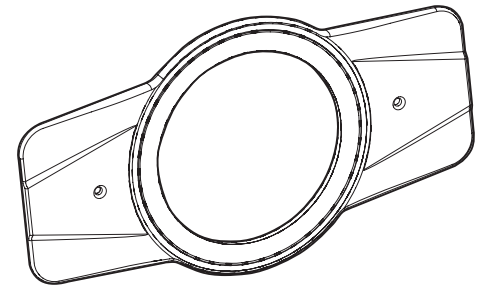




A Moen Incorporated Brand

S P E C I F I C A T I O N S H E E T



**DESCRIPTION**

- All metal construction with various finishes identified by suffix
- Designed to allow replacement of 2 or 3 handle tub/shower valve

**STANDARD**

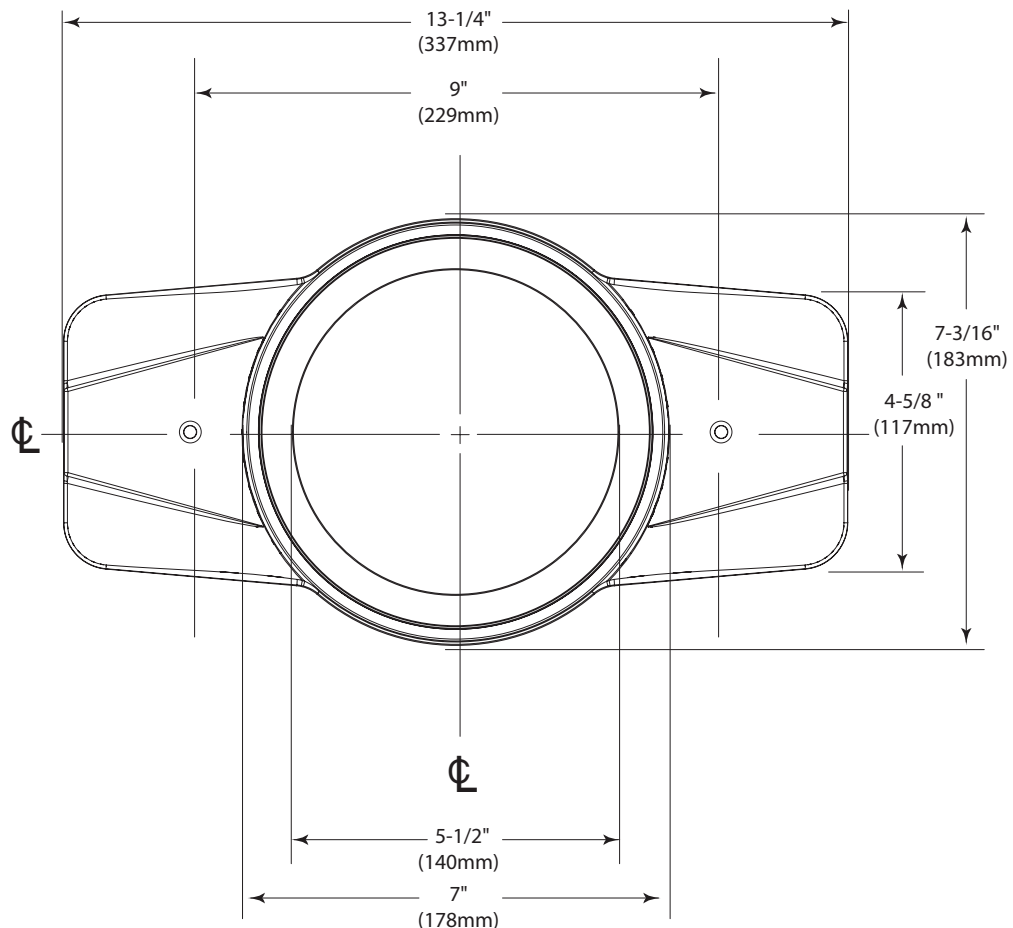
- Third party certified to CSA B125.1, ASME A112.18.1 and all applicable requirements referenced therein
- All CFG products are compliant to all plumbing codes that require 3rd party certification to the applicable plumbing/fitting standards

**WARRANTY – RESIDENTIAL, COMMERCIAL**

- Ten (10) year limited warranty against defects in materials and manufacturing workmanship

**Tub/Shower Cover Plate**

**Models: 40913 Series**



**CRITICAL DIMENSIONS**

(DO NOT SCALE)