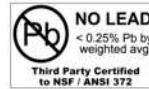
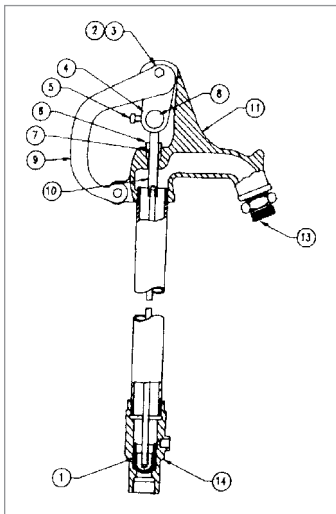


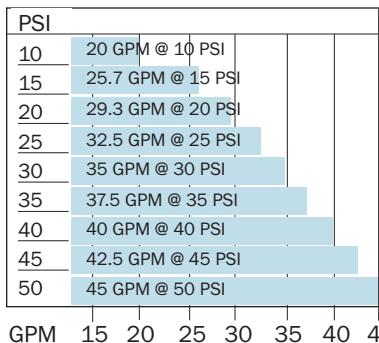
Yard Hydrants - Replacement Parts



CLAYTON MARK®



3/4" 5451NL Hydrant Flow Rates



5451NL Series Hydrant Replacement Parts

Part Number	Item Number	Description
YRK1		Repair Kit (Items 1-8)
9175B	1	Plunger - BUNA N rubber/brass
9023B	2	Fulcrum Bolt - zinc plated steel
9023C	3	Fulcrum Nut - zinc plated steel
9023D	4	Links (set of 2) - zinc plated steel
9023E	5	Set Screw square head - zinc plated steel
9023A	6	Packing Nut - brass
29609G	7	Packing - graphite (2 - 1 old, 1 new style)
9023G	8	Connector - brass
2506K	9	Handle - painted cast iron
2222AHSS	10	Clevis Rod - SS NEW STYLE (for double bypass)
2500K	11	Head only - painted cast iron
382914	13	Hose Adapter - brass
381504	14	Valve Body - brass
2575K		Complete Head Assembly (Items 2-13)

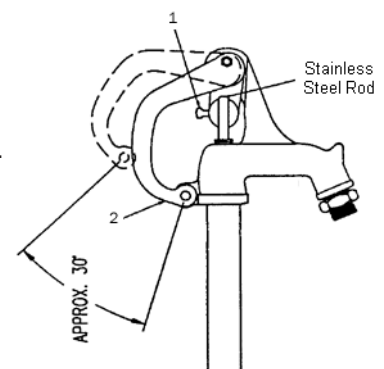
STEEL ROD (use with double bypass valve 5451 Series)

TA7100099NS	54511 Rod (32.4")
TA7100100NS	54512 Rod (44.4")
TA7100101NS	54513 Rod (56.4")
TA7100102NS	54514 Rod (68.4")
TA7100103NS	54515 Rod (80.4")
TA7100104NS	54516 Rod (92.4")
TA7100105NS	54518 Rod (116.4")

NOTE: All 5451NL Series Hydrants are preset at factory. There should be no need for any adjustment on initial installation. Adjust only if water does not shut off or hydrant does not operate properly.

5451NL HYDRANT ADJUSTMENT PROCEDURE

- Turn water supply OFF.
- Open hydrant to relieve pressure.
- Loosen set screw. (Item 1)
- Push brass rod down as far as it will go by hand to be sure the plunger is touching the seat.
- Open handle (Item 2) approximately 30° from closed position.
- Tighten set screw snugly.
- Turn water supply ON.
- Operate hydrant and make sure the hydrant is shutting off properly and flowing properly.
- If hydrant still does not shut off, repeat steps 1 through 8.**
- Flow water through hydrant and then close completely to check for proper drainage by:
 - listening for water draining down pipe or
 - putting your hand over the hose connection to feel for a vacuum.
 If hydrant does not drain, see step 11.
- To clear drain hole blockage, close off hydrant spout by using hose cap or by attaching and kinking a hose. Open and close hydrant to allow water pressure to clear blockage. Repeat step 10 to verify proper drainage. If hydrant still does not drain, repeat steps 1 through 10 to fully uncover drain hole.



CAUTION: Do not try to make the shutoff adjustment in one attempt or you may overadjust and cause damage to the plunger and rods. For this reason adjust in multiple small increments.